



# TEFC

**THREE PHASE INDUCTION MOTOR**

**TYPE**

LP,JP

CAST IRON FRAME

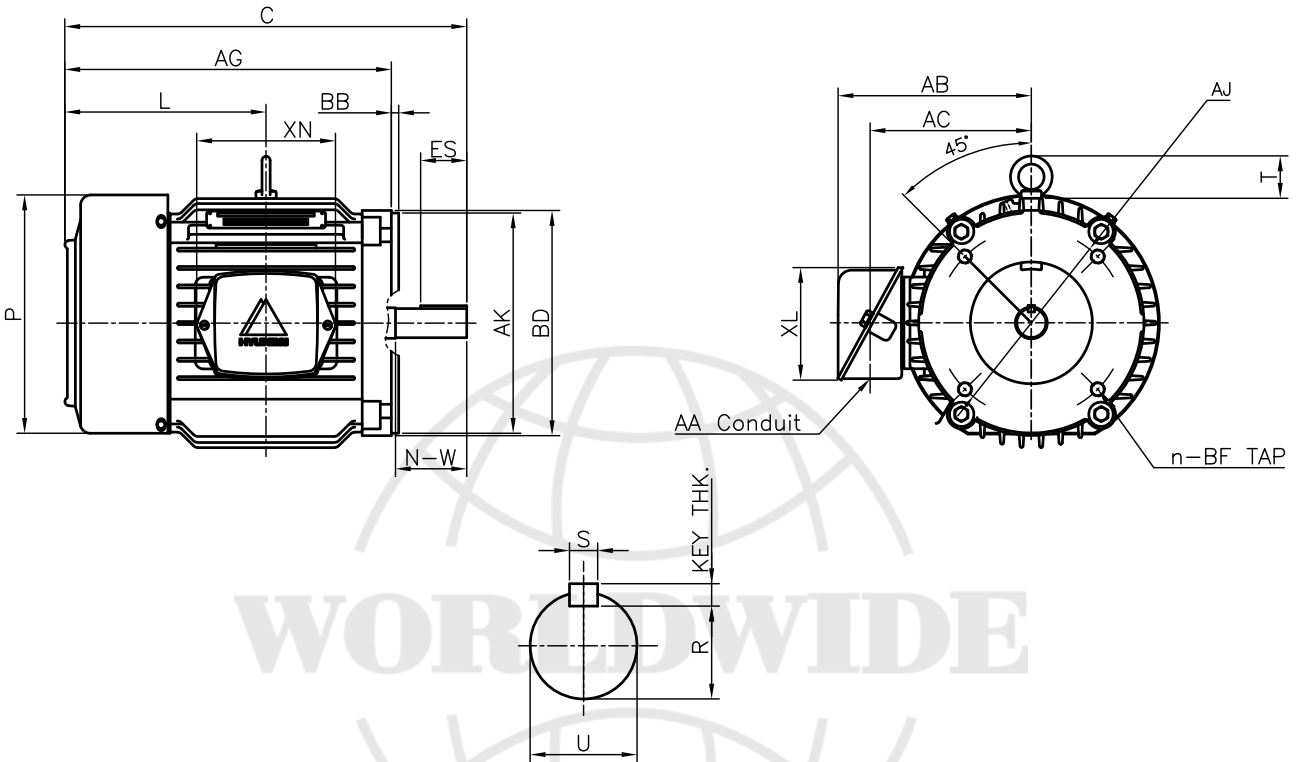
FRAME SIZE

OUTPUT(HP)

POLES

Hz

TIME RATING



## DIMENSIONS

FLANGE						CONDUIT BOX					APPROX. WGT.(LB)
AJ	AK	BD	BB	BF	n	AA	AB	AC	XL	XN	
7.250	8.50	8.70	0.25	1/2-13	4	0.75	7.47	6.23	4.35	5.35	90

O V E R A L L							S H A F T			KEY THK.	B E A R I N G	
AG	C	L	P	T	U	N-W	KEYWAY				DRIVE END	OPP. DRIVE END
							R	ES	S			
12.62	15.52	7.78	9.21	1.63	1.125	2.75	0.986	1.78	0.250	0.250	6206ZZC3	6206ZZC3

### NOTE

- 1.Dimension "D" tolerance : +0.00inch - 0.03inch
- 2.Dimension "U" tolerance : +0.000inch - 0.0005inch
- 3.Dimension "R" tolerance : +0.000inch - 0.015inch

APPD BY	J.H.KIM	UNIT	INCH	SUBJECT	NEMA 182TCH	CAD PROJ \ FILE	
CHKD BY	N.D.LEE	SCALE	1/8			SCALE-NEMA\A1503AA	
CHKD BY	K.S.LEE	PROJEC'N	3rd Angle	TITLE			
DSND BY	S.W.SEO	DATE	2010.12.20				

## OUTLINE

	REF. NO	350A1503AA	Sheet No. of
	DWG NO	350A1503AA	Revision No. 0