



# TEFC

**THREE PHASE INDUCTION MOTOR**

**TYPE**

KP,IP

CAST IRON FRAME

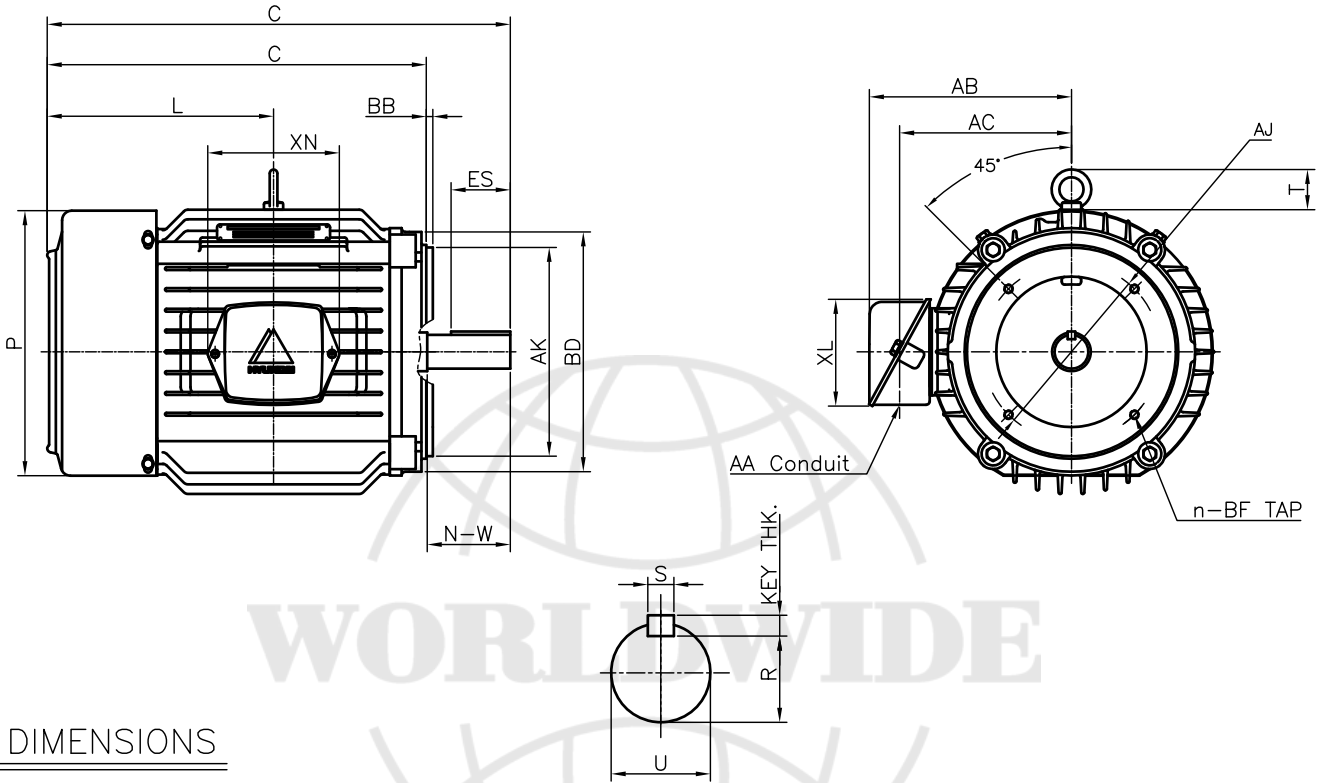
FRAME SIZE

OUTPUT(HP)

POLES

Hz

TIME RATING



DIMENSIONS

FLANGE						CONDUIT BOX					APPROX. WGT.(LB)
AJ	AK	BD	BB	BF	n	AA	AB	AC	XL	XN	
7.250	8.50	9.00	0.25	1/2-13	4	1.00	8.23	7.34	4.35	5.35	150

O V E R A L L					S H A F T					KEY THK.	BEARING	
AG	C	L	P	T	U	N-W	KEYWAY				DRIVE END	OPP. DRIVE END
							R	ES	S			
15.44	18.86	9.22	10.80	1.63	1.375	3.38	1.201	2.41	0.312	0.312	6307ZZC3	6307ZZC3

**NOTE**

- 1.Dimension "D" tolerance : +0.00inch - 0.03inch
- 2.Dimension "U" tolerance : +0.000inch - 0.0005inch
- 3.Dimension "R" tolerance : +0.000inch - 0.015inch

APPD BY	J.H.KIM	UNIT	INCH	SUBJECT	NEMA 213TCH	CAD PROJ	FILE
CHKD BY	N.D.LEE	SCALE	1/8			SCALE-NEMA	A1505AA
CHKD BY	K.S.LEE	PROJEC'N	3rd Angle	<b>OUTLINE</b>			
DSND BY	S.W.SEO	DATE	2010.12.20				



REF. NO	350A1505AA	Sheet No.	of
DWG NO	<b>350A1505AA</b>	Revision No.	0