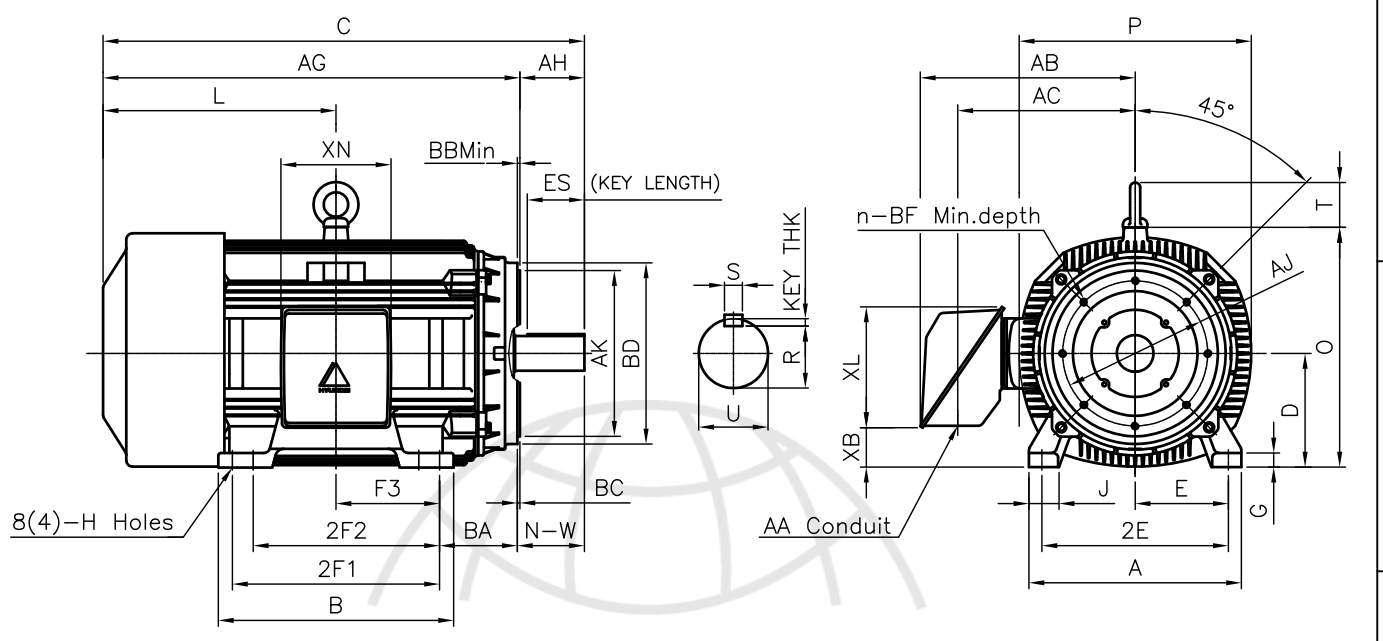


본 도면은 현대중공업(주) 재산이므로
허가없이 복사할 수 없음 (취급유의)

THIS DRAWING IS PROPRIETARY TO HHI. NO PART OF THIS DRAWING
MAYBE REPRODUCED WITHOUT THE PERMISSION OF HHI.

		<h1>TEFC</h1>		TYPE LP, JP Cast iron frame
		THREE PHASE INDUCTION MOTOR		

FRAME SIZE	OUTPUT(HP)	POLES	Hz	TIME RATING
447TC			60	CONT



DIMENSIONS

M O U N T I N G									C O N D U I T B O X					APPROX. WGT.(LB)	
A	B	2E	2F1	2F2	F3	G	J	H	AA	AB	AC	XB	XL	XN	
20.51	22.72	18.00	20.00	(17.99)	10.000	1.42	3.07	0.81	3.00	21.26	18.03	3.83	11.65	10.63	1970

O V E R A L L								S H A F T					KEY	BEARING	
BA	C	D	L	O	P	T	AG	U	N-W	KEYWAY			THK.	DRIVE END	OPP. DRIVE END
										R	ES	S			
7.50	48.71	11.00	22.71	23.19	22.44	4.33	40.21	3.375	8.50	2.880	6.93	0.875	0.875	6318C3	6316C3

D - F L A N G E								
AJ	AK	BB Min	BC	BD	BF	BF depth	n	AH
14.00	16.00	0.25	0.25	16.93	5/8-11	0.94	8	8.25

NOTE

- 1.Dimension "D" tolerance : +0.00inch ~ -0.03inch (143TC-365TC) : +0.000inch ~ -0.06inch (404TC-449TC)
- 2.Dimension "U" tolerance : +0.000inch ~ -0.0005inch (143TC-215TC): +0.000inch ~ -0.001inch (254TC-449TC)
- 3.Dimension "R" tolerance : +0.000inch ~ - 0.015inch
- 4.Dimension "AK" tolerance : +0.000inch ~ -0.003inch (143TC-286TC): +0.000inch ~ -0.005inch (324TC-449TC)

APPD BY	K.J. KANG	UNIT	INCH	SUBJECT	447TC	CAD PROJ \ FILE	
CHKD BY		SCALE	N/S	TITLE	<h2>OUTLINE</h2>	MMSTDMTR\A1319AA	
CHKD BY		PROJEC'N	3rd Angle				
DSND BY	N.D.LEE	DATE	2011.02.09				

		REF. NO	A1319AA	Sheet No. of	
		DWG NO	350A1319AA	Revision No.	0