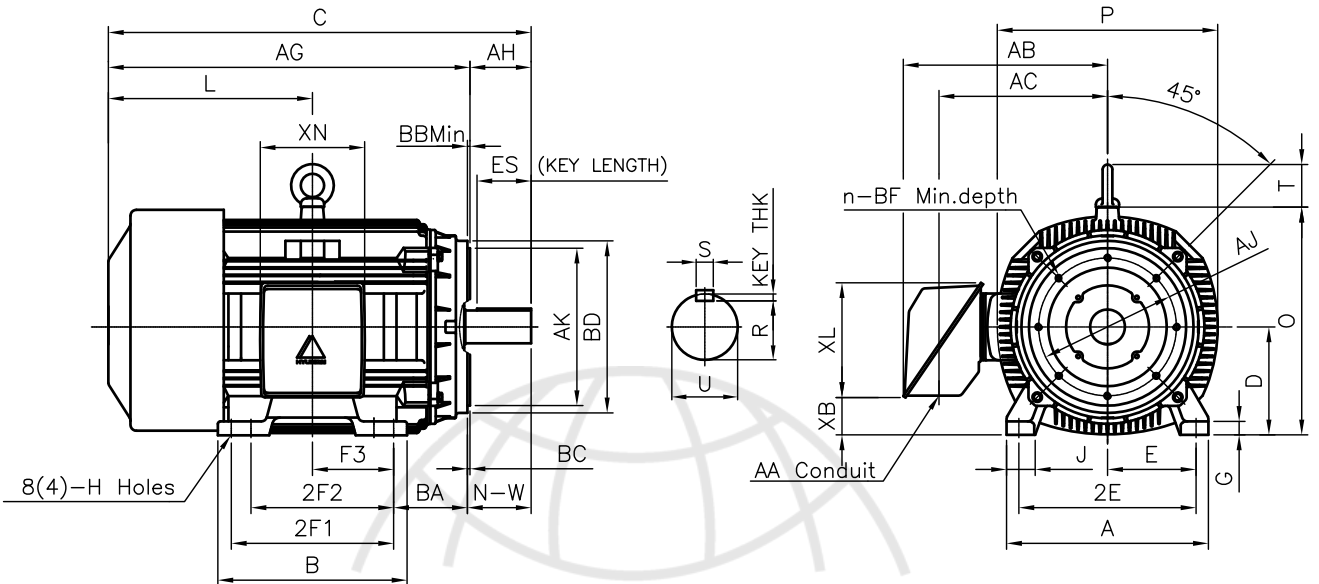


		<h1>TEFC</h1>		<h2>TYPE</h2>		LP, JP	
		<h3>THREE PHASE INDUCTION MOTOR</h3>				Cast iron frame	
FRAME SIZE		OUTPUT(HP)		POLES		Hz	
444TSC						60	
						TIME RATING	
						CONT	



**DIMENSIONS**

M O U N T I N G									C O N D U I T B O X					APPROX. WGT.(LB)	
A	B	2E	2F1	2F2	F3	G	J	H	AA	AB	AC	XB	XL		XN
20.51	19.21	18.00	(16.50)	14.50	8.248	1.42	3.07	0.81	3.00	21.26	18.03	3.83	11.65	10.63	1610

O V E R A L L								S H A F T					KEY THK.	B E A R I N G	
BA	C	D	L	O	P	T	AG	U	N-W	KEYWAY				DRIVE END	OPP. DRIVE END
										R	ES	S			
7.50	41.46	11.00	20.96	23.19	22.44	4.33	36.71	2.375	4.75	2.021	3.03	0.625	0.625	6314C3	6314C3

C - F A C E								
AJ	AK	BB Min	BC	BD	BF	BF depth	n	AH
14.00	16.00	0.25	0.25	16.93	5/8-11	0.94	8	4.50

**NOTE**

- 1.Dimension "D" tolerance : +0.00inch ~ -0.03inch (143TC-365TC) : +0.000inch ~ -0.06inch (404TC-449TC)
- 2.Dimension "U" tolerance : +0.000inch ~ -0.0005inch (143TC-215TC): +0.000inch ~ -0.001inch (254TC-449TC)
- 3.Dimension "R" tolerance : +0.000inch ~ - 0.015inch
- 4.Dimension "AK" tolerance : +0.000inch ~ -0.003inch (143TC-286TC): +0.000inch ~ -0.005inch (324TC-449TC)

APPD BY	K.J. KANG	UNIT	INCH	SUBJECT	444TSC	CAD PROJ \ FILE		
CHKD BY		SCALE	N/S			MMSTDMTR\A1318BA		
CHKD BY		PROJEC'N	3rd Angle	<h2>OUTLINE</h2>				
DSND BY	N.D.LEE	DATE	2011.02.09					REF. NO
				DWG NO	350A1317BA	Revision No. 0		