

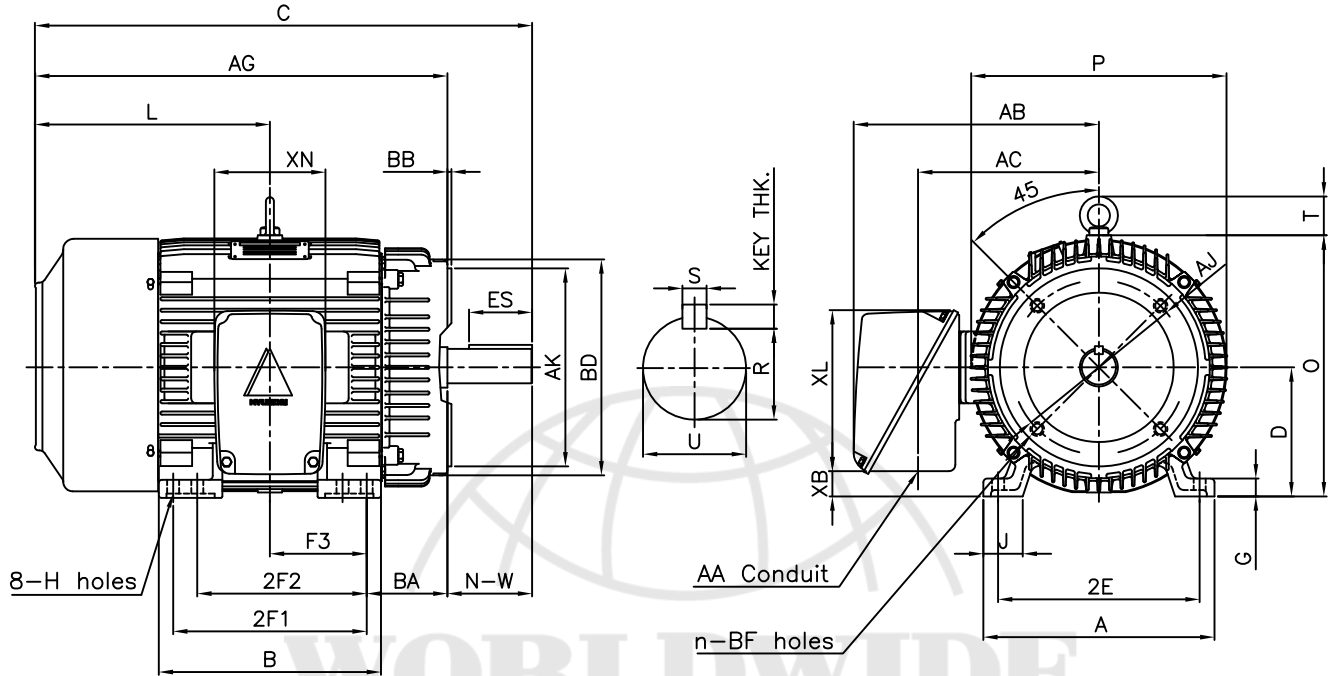
FRAME SIZE

OUTPUT(HP)

POLES

Hz

TIME RATING



| F L A N G E | | | | | | M O U N T I N G | | | | | | | | | |
|-------------|-------|-------|------|--------|---|-----------------|-------|-------|-------------------|-------------------|------|------|------|------|--|
| AJ | AK | BD | BB | BF | n | A | B | 2E | 2F1 ⁵⁾ | 2F2 ⁴⁾ | F3 | G | J | H | |
| 11.0 | 12.50 | 13.27 | 0.25 | 5/8-11 | 4 | 14.33 | 13.78 | 12.50 | 12.00 | 10.50 | 6.00 | 1.11 | 2.36 | 0.66 | |

| C O N D U I T B O X | | | | | | O V E R A L L | | | | | | | | APPROX. WGT.(LB) | |
|---------------------|-------|-------|------|-------|------|---------------|------|-------|------|-------|-------|-------|------|------------------|------|
| AA | AB | AC | XB | XL | XN | AG | BA | C | D | L | O | P | T | 324T | 326T |
| 2.00 | 15.20 | 11.21 | 1.57 | 10.16 | 7.01 | 25.82 | 5.25 | 31.07 | 8.00 | 14.57 | 16.19 | 15.84 | 2.41 | 550 | 560 |

| S H A F T | | | | | KEY THK. | B E A R I N G | |
|-----------|------|--------|------|-------|----------|---------------|----------------|
| U | N-W | KEYWAY | | | | DRIVE END | OPP. DRIVE END |
| | | R | ES | S | | | |
| 2.125 | 5.25 | 1.845 | 3.91 | 0.500 | 0.500 | 6313ZC3 | 6211ZC3 |

NOTE

- 1.Dimension "D" tolerance : +0.00inch - 0.03inch
- 2.Dimension "U" tolerance : +0.000inch - 0.001inch
- 3.Dimension "R" tolerance : +0.000inch - 0.015inch
- 4.Location of holes for 324TC frame
- 5.Location of holes for 326TC frame

| | | | | | | | | |
|---------|---------------|----------|------------|---------|------------------|-----------------|-----------------|---------|
| APPD BY | KIM.Y.S | UNIT | INCH | SUBJECT | NEMA 324TC/326TC | CAD PROJ \ FILE | XSMOUTN\A1312BA | |
| CHKD BY | KO.S.H | SCALE | 1/12 | | | | | |
| CHKD BY | | PROJEC'N | 3rd Angle | TITLE | | | | OUTLINE |
| DSND BY | LEE KWANG SOO | DATE | 2004.04.02 | | | | | |