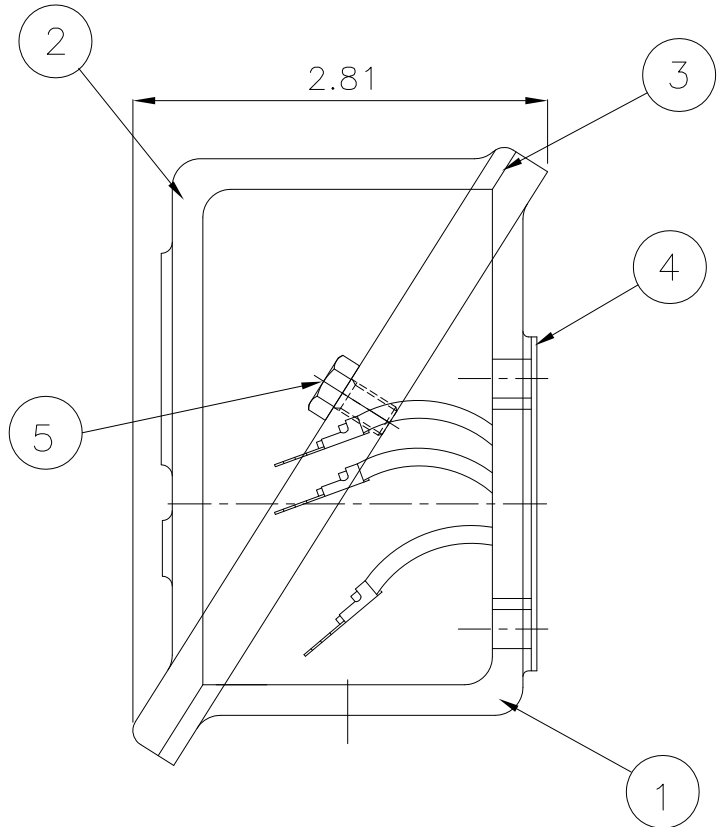
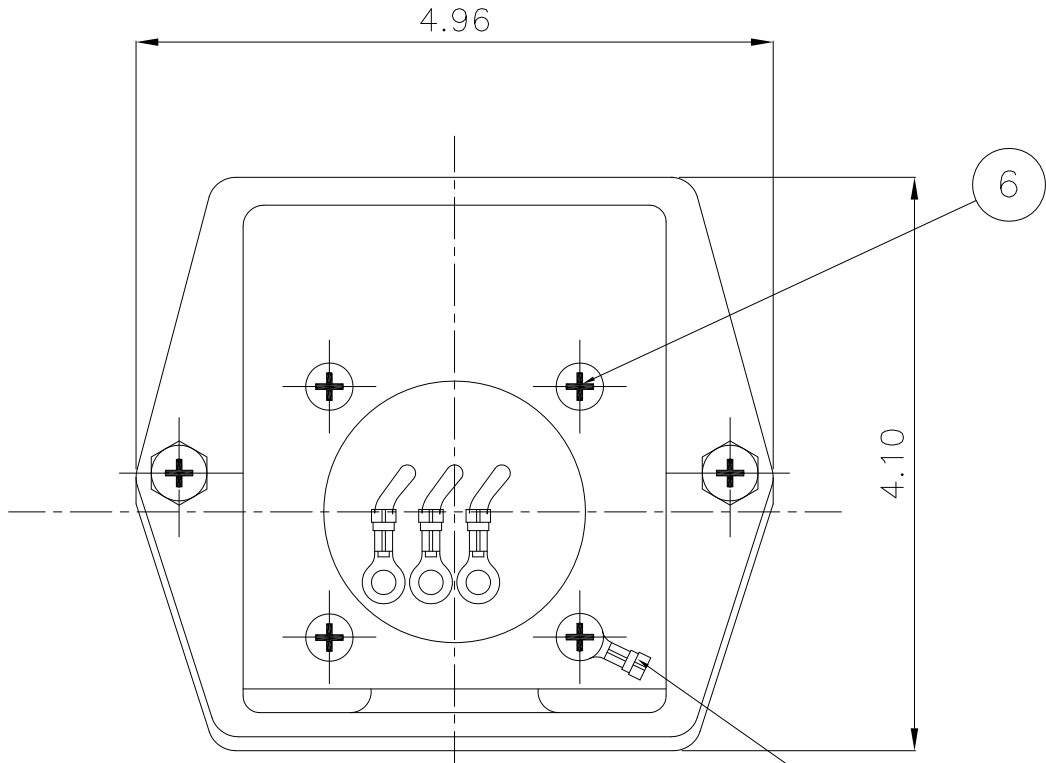


THIS DRAWING IS PROPRIETARY TO HHI. NO PART OF THIS DRAWING MAY BE REPRODUCED WITHOUT THE PERMISSION OF HHI.



PT	DESCRIPTION	MATERIAL	DIMENSION	Q'TY
1	CONDUIT BOX	FC15	--	1
2	CONDUIT BOX COVER	FC15	--	1
3	O-RING / COVER	NBR	--	1
4	BOX GASKET	NBR	--	1
5	COVER+BOX HEX BOLT	S45C	M5 X L15	4
6	BOX+FRAME HEX BOLT	S45C	M5 X L15	4
7	GROUND TERMINAL LUG	CU	M5X5.5mmSQ	1

Q'TY	DESCRIPTION	MATERIAL	DIMENSION	WEIGHT	PART NO.	REMARK	NO.
APPD BY	B.M.YOO	UNIT	INCH	SUBJECT		NEMA 140	
CHKD BY	S.W.SEO	SCALE	1/0.46	TITLE		3 LEADS	
CHKD BY	J.S.JEONG	PROJEC'N	3rd Angle	CONDUIT BOX ASSEMBLY			
DSND BY	C.S.KO	DATE	2008.01.18	REF. NO	227B1535AA2	Sheet No.	of
				DWG NO	227B1535AA2	Revision No.	1

REV	DATE	CONTENTS	REVD BY	CHKD BY	CHKD BY	APPD BY
1						