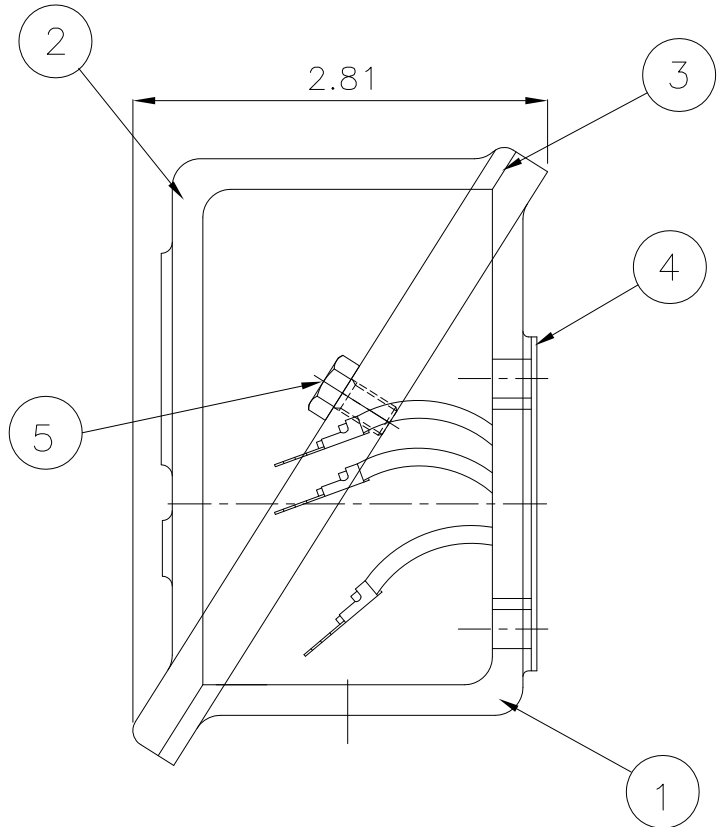
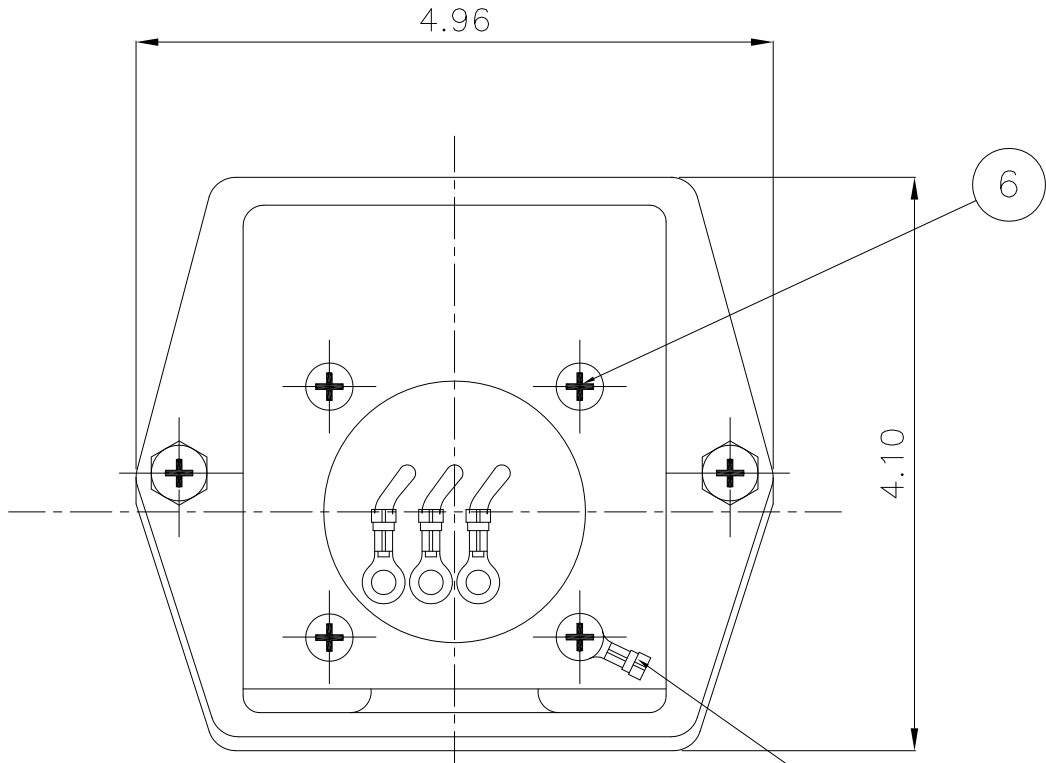


THIS DRAWING IS PROPRIETARY TO HHI. NO PART OF THIS DRAWING MAY BE REPRODUCED WITHOUT THE PERMISSION OF HHI.



| PT | DESCRIPTION | MATERIAL | DIMENSION | Q'TY |
|----|---------------------|----------|------------|------|
| 1 | CONDUIT BOX | FC15 | -- | 1 |
| 2 | CONDUIT BOX COVER | FC15 | -- | 1 |
| 3 | O-RING / COVER | NBR | -- | 1 |
| 4 | BOX GASKET | NBR | -- | 1 |
| 5 | COVER+BOX HEX BOLT | S45C | M5 X L15 | 4 |
| 6 | BOX+FRAME HEX BOLT | S45C | M5 X L15 | 4 |
| 7 | GROUND TERMINAL LUG | CU | M5X5.5mmSQ | 1 |

| REV | DATE | CONTENTS | REVD BY | CHKD BY | CHKD BY | APPD BY |
|-----|------|----------|---------|---------|---------|---------|
| 1 | | | | | | |

| Q'TY | DESCRIPTION | MATERIAL | DIMENSION | WEIGHT | PART NO. | REMARK | NO. |
|---------|-------------|-------------|------------|---------------------------------|----------|---------------|-----|
| APPD BY | B.M.YOO | UNIT | INCH | SUBJECT | | CAD PROJ FILE | |
| CHKD BY | S.W.SEO | SCALE | 1/0.46 | NEMA 140 | | IP 54,55,56 | |
| CHKD BY | J.S.JEONG | PROJEC'N | 3rd Angle | TITLE | | | |
| DSND BY | C.S.KO | DATE | 2008.01.18 | 3 LEADS CONDUIT BOX ASSEMBLY | | | |
| REF. NO | | 227B1535AA2 | | Sheet No. | | of | |
| DWG NO | | 227B1535AA2 | | Revision No. | | 1 | |