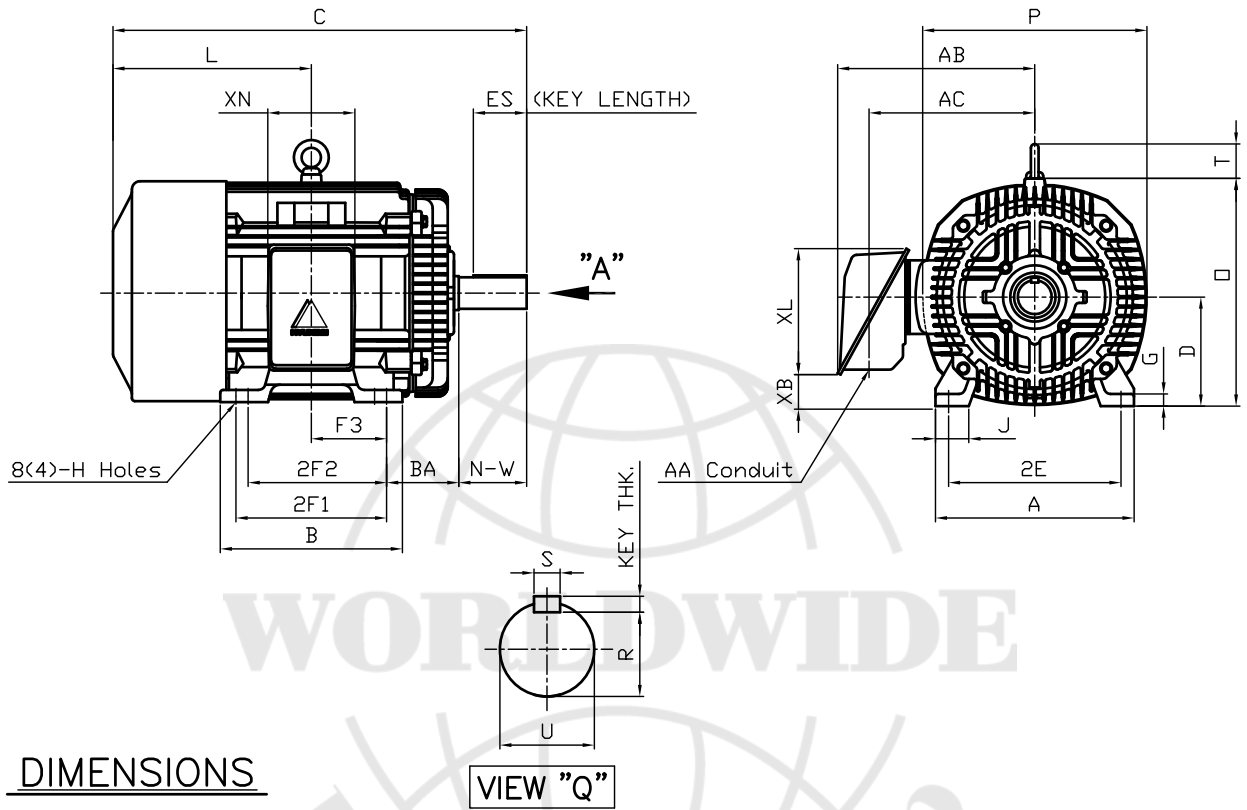


본 도면은 현대중공업(주) 재산이며 복제할 수 없음 (취급유의)

THIS DRAWING IS PROPRIETARY TO HEECO. NO PART OF THIS DRAWING MAYBE REPRODUCED WITHOUT THE PERMISSION OF HHI.

1		2		3		4	
HYUNDAI HEAVY INDUSTRIES CO., LTD.		<h1 style="margin: 0;">T E F C</h1> <h2 style="margin: 0;">THREE PHASE INDUCTION MOTOR</h2>				TYPE	LP, JP Cast iron frame
FRAME SIZE		OUTPUT(HP)		POLES		Hz	TIME RATING
365T						60	CONT



M O U N T I N G									CONDUIT BOX					APPROX. WGT.(LB)	
A	B	2E	2F1	2F2	F3	G	J	H	AA	AB	AC	XB	XL	XN	
16.14	14.92	14.00	12.25	(11.25)	6.122	0.98	2.72	0.66	3.00	17.13	13.82	2.70	10.24	7.09	820

O V E R A L L							S H A F T			KEY	BEARING			
BA	C	D	L	O	P	T	U	N-W	KEYWAY			THK.	DRIVE END	OPP. DRIVE END
									R	ES	S			
5.88	34.01	9.00	16.13	18.50	18.23	2.80	2.375	5.88	2.021	4.28	0.625	0.625	6314C3	6213C3

NOTE

1. Dimension "D" tolerance : +0.00inch - 0.03inch (143T-365T) ; +0.000inch - 0.06inch (404T-449T)
2. Dimension "U" tolerance : +0.000inch - 0.005inch (143T-215T), +0.000inch - 0.001inch (254T-449T)
3. Dimension "R" tolerance : +0.000inch - 0.015inch

Q'TY	DESCRIPTION	MATERIAL	DIMENSION	WEIGHT	PART NO.	REMARK	NO.
APPD BY	K.J. Kang	UNIT	INCH	SUBJECT	365T	CAD PROJ 명 \ FILE 명	
Q.P CHK		SCALE	N/S	TITLE	<h2 style="margin: 0;">OUTLINE</h2>		
CHKD BY		PROJEC'N	3 각법(3rd Angle)				
DSND BY	N.D.Lee	DATE	2011.01.12	REF. NO	A1114AA	Sheet No.	of
HYUNDAI HEAVY INDUSTRIES CO., LTD.				DWG NO	350A1114AA	Revision No.	0