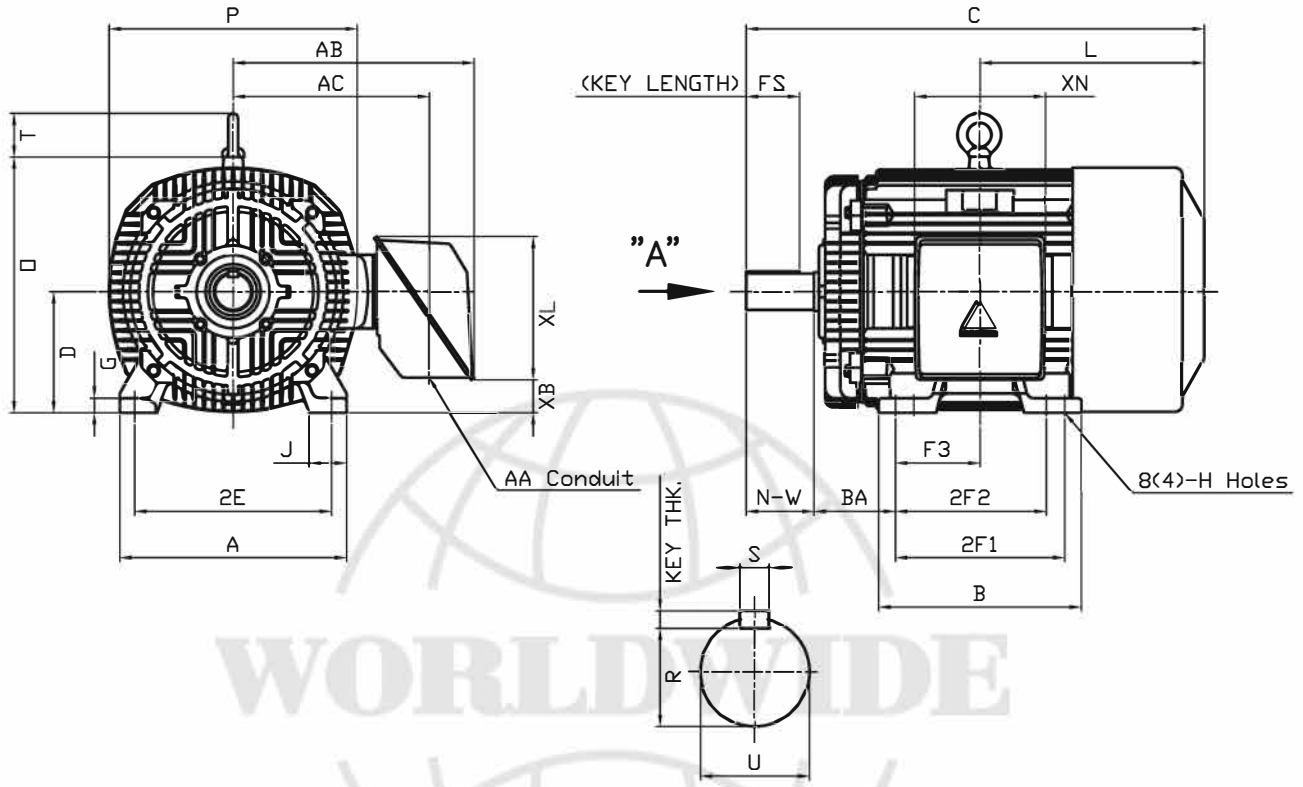


본 도면은 현대중공업(주) 재산이므로
허가없이 복사할 수 없음 (취급주의)

THIS DRAWING IS PROPRIETARY TO HEECO. NO PART OF THIS DRAWING
MAYBE REPRODUCED WITHOUT THE PERMISSION OF HHI.

| | | | | |
|--------------|------------|---|----|--|
| | | <h1>T E F C</h1> <h2>THREE PHASE INDUCTION MOTOR</h2> | | TYPE LP, JP Cast iron frame |
| FRAME SIZE | OUTPUT(HP) | POLES | Hz | TIME RATING |
| 405T-F2-4,6P | | | 60 | CONT |



DIMENSIONS

VIEW "A"

| M O U N T I N G | | | | | | | | | C O N D U I T B O X | | | | | | APPROX. WGT.(LB) |
|-----------------|-------|-------|-------|---------|-------|------|------|------|---------------------|-------|-------|------|-------|-------|------------------|
| A | B | 2E | 2F1 | 2F2 | F3 | G | J | H | AA | AB | AC | XB | XL | XN | |
| 18.43 | 16.46 | 16.00 | 13.75 | (12.25) | 6.870 | 1.18 | 3.03 | 0.81 | 3.00 | 20.28 | 14.85 | 2.83 | 11.65 | 10.63 | 1110 |

| O V E R A L L | | | | | | | | S H A F T | | | KEY | BEARING | | |
|---------------|-------|-------|-------|-------|-------|------|-------|-----------|--------|------|-------|---------|-----------------------|----------------|
| BA | C | D | L | O | P | T | U | N-W | KEYWAY | | | THK. | DRIVE END | OPP. DRIVE END |
| | | | | | | | | | R | ES | S | | | |
| 6.62 | 39.42 | 10.00 | 18.68 | 20.79 | 20.16 | 3.55 | 2.875 | 7.25 | 2.450 | 5.65 | 0.750 | 0.750 | 6316C3 or NU316 | 6313C3 |

NOTE

1. Dimension "D" tolerance : +0.00inch - 0.03inch (143T-365T) ; +0.000inch - 0.06inch (404T-449T)
2. Dimension "U" tolerance : +0.000inch - 0.005inch (143T-215T), +0.000inch - 0.001inch (254T-449T)
3. Dimension "R" tolerance : +0.000inch - 0.015inch

| Q'TY | DESCRIPTION | MATERIAL | DIMENSION | WEIGHT | PART NO. | REMARK | NO. |
|---------|-------------|----------|-----------------|------------------|------------|--------------------------------------|-----|
| APPD BY | K.J. Kang | UNIT | INCH | SUBJECT | 405T | CAD PROJ \ FILE MMSTDMTR\A1116AA | |
| Q.P CHK | | SCALE | N/S | | | | |
| CHKD BY | | PROJEC'N | 3 각법(3rd Angle) | <h1>OUTLINE</h1> | | | |
| DSND BY | N.D.Lee | DATE | 2011.01.12 | | | | |
| | | | | REF. NO | A1116AA | Sheet No. | of |
| | | | | DWG NO | 350A1116AA | Revision No. | 0 |