



TEFC

THREE PHASE INDUCTION MOTOR

TYPE

LP, JP

CAST IRON FRAME

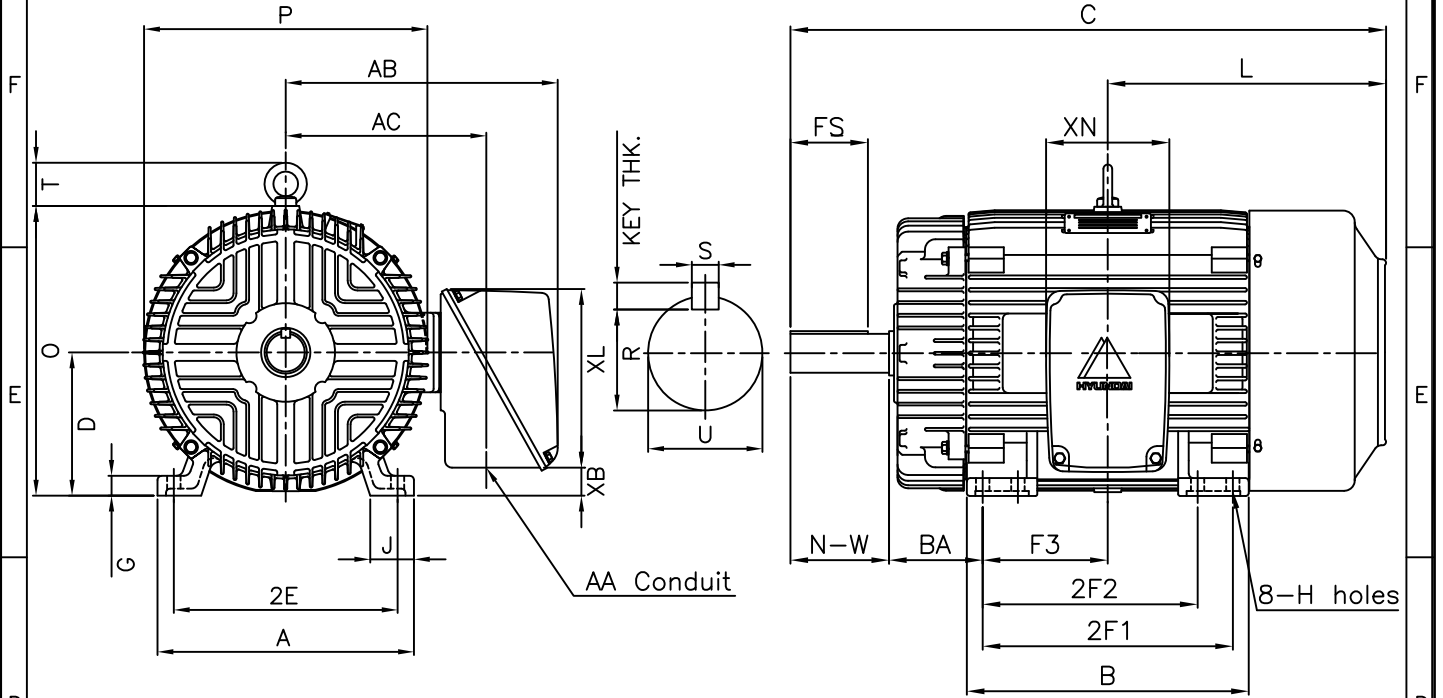
FRAME SIZE

OUTPUT(HP)

POLES

Hz

TIME RATING



DIMENSIONS

M O U N T I N G									C O N D U I T B O X						APPROX. WGT.(LB)
A	B	2E	2F1	2F2 ⁴⁾	F3	G	J	H	AA	AB	AC	XB	XL	XN	
14.33	15.74	12.50	13.98	12.00	6.99	1.11	2.36	0.66	2.00	15.20	11.21	1.57	10.16	7.01	620

O V E R A L L							S H A F T					KEY THK.	B E A R I N G	
BA	C	D	L	O	P	T	U	N-W	KEYWAY				DRIVE END	OPP. DRIVE END
									R	ES	S			
5.25	33.03	8.00	15.55	16.19	15.84	2.41	2.125	5.25	1.845	3.91	0.500	0.500	6313ZC3	6211ZC3

NOTE

- 1.Dimension "D" tolerance : +0.00inch - 0.03inch
- 2.Dimension "U" tolerance : +0.000inch - 0.001inch
- 3.Dimension "R" tolerance : +0.000inch - 0.015inch
- 4.Location of holes for 326T frame

APPD BY	KIM.Y.S	UNIT	INCH	SUBJECT	NEMA 326T(L)	CAD PROJ \ FILE
CHKD BY	KO.S.H	SCALE	1/12			XSMOUTN\A1112AA(L)
CHKD BY		PROJEC'N	3rd Angle	TITLE		
DSND BY	LEE KWANG SOO	DATE	2004.04.02			
				REF. NO	A1112AA(L)	Sheet No. of
				DWG NO	350A1112AA(L)	Revision No. 0

OUTLINE