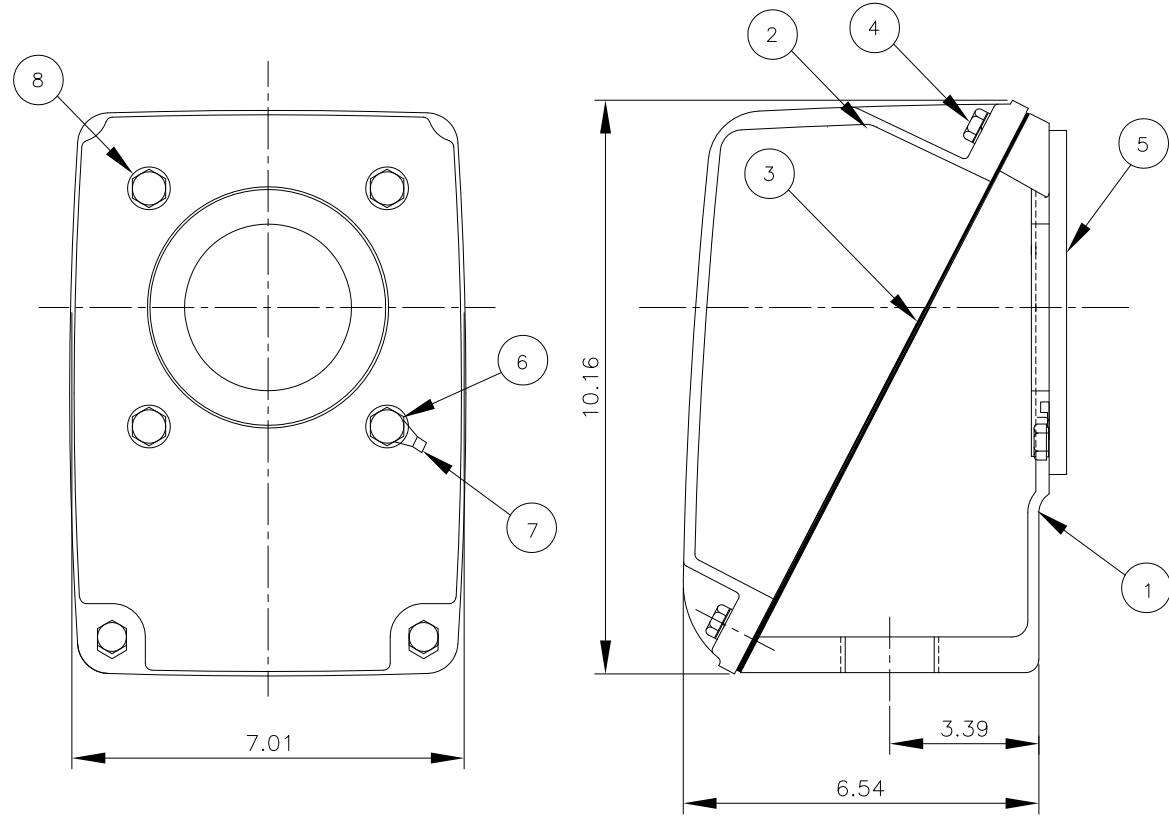


THIS DRAWING IS PROPRIETARY TO HHI. NO PART OF THIS DRAWING MAYBE REPRODUCED WITHOUT THE PERMISSION OF HHI.



PT	DESCRIPTION	MATERIAL	DIMENSION	Q,TY
1	CONDUIT BOX	FC20		1
2	C/B COVER	FC20		1
3	GASKET(COVER)	N.B.R	T2X170X210	1
4	SCREW(COVER)	S45C	M8XL20	4
5	GASKET(C/B)	N.B.R		1
6	SCREW(C/B)	S45C	M8XL20	4
7	TERMINAL GROUND	CU	T1.6	1
8	WASHER	S45C	M8 X L10	4

▽	50S
▽▽	12.5S
▽▽▽	3.2S
▽▽▽▽	0.4S

REV	DATE	CONTENTS	REVD BY	CHKD BY	CHKD BY	APPD BY
1						

일반기준공차		일반계관공차	
1-4	±0.1	6-30	±0.5
4-18	±0.2	30-120	±0.8
18-63	±0.3	120-315	±1.2
63-250	±0.5	315-1000	±2.0
250-	±0.8	1000-	±3.0

Q'TY	DESCRIPTION	MATERIAL	DIMENSION	WEIGHT	PART NO.	REMARK	NO.
APPD BY	KANG KYEONG JUNG	UNIT	INCH	SUBJECT	NEMA 320		DWG SIZE
CHKD BY	LEE NOH DUK	SCALE	1/2	TITLE			A3 (1:30)
CHKD BY	KIM IN KYU	PROJEC'N	3각법(3rd Angle)				
DSND BY	KIM EUN SEONG	DATE	2011-08-30	Main Terminal Box Assembly			
REF. NO	227B8003CB5		Sheet No.		of		
DWG NO	3M-145864		Revision No.		0		