



TEFC

THREE PHASE INDUCTION MOTOR

TYPE

LP, JP

CAST IRON FRAME

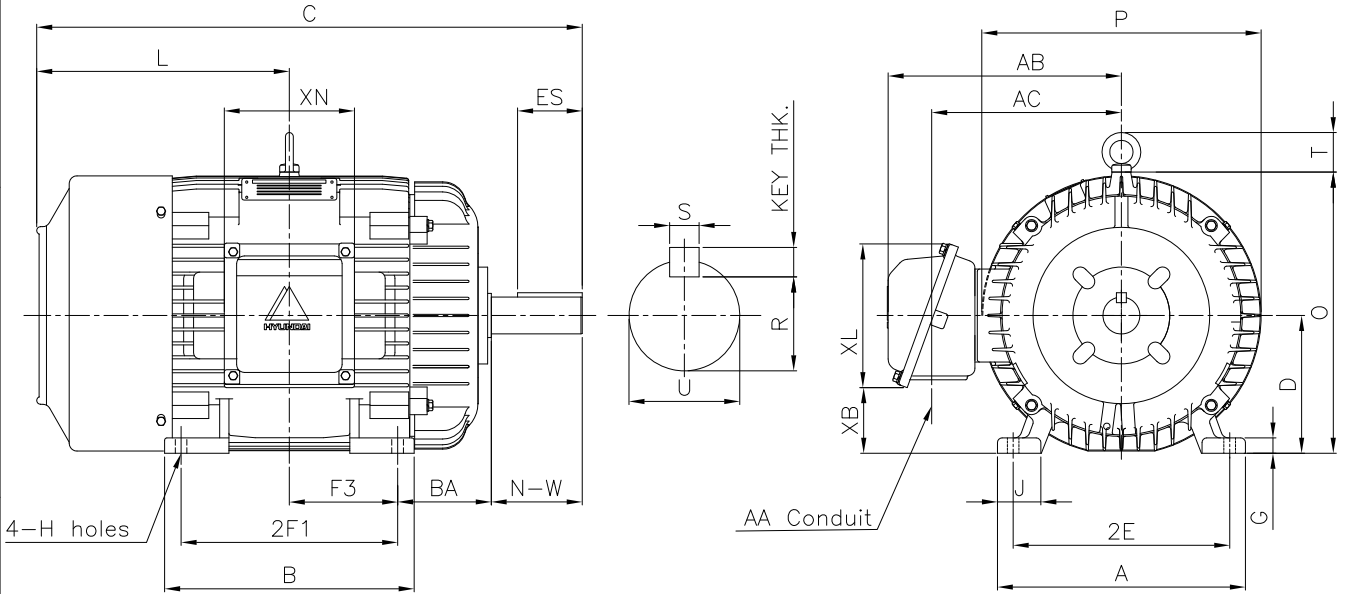
FRAME SIZE

OUTPUT(HP)

POLES

Hz

TIME RATING



DIMENSIONS

M O U N T I N G									C O N D U I T B O X						APPROX. WGT.(LB) 286T
A	B	2E	2F1	2F2	F3	G	J	H	AA	AB	AC	XB	XL	XN	
12.60	12.68	11.00	11.00	-	5.50	0.78	2.20	0.53	1.50	12.43	9.64	3.42	7.56	6.61	410

O V E R A L L							S H A F T					KEY THK.	B E A R I N G	
BA	C	D	L	O	P	T	U	N-W	KEYWAY				DRIVE END	OPP. DRIVE END
									R	ES	S			
4.75	27.71	7.00	12.84	14.28	14.19	2.01	1.875	4.62	1.591	3.28	0.500	0.500	6310ZC3	6310ZC3

NOTE

- 1.Dimension "D" tolerance : +0.00inch - 0.03inch
- 2.Dimension "U" tolerance : +0.000inch - 0.001inch
- 3.Dimension "R" tolerance : +0.000inch - 0.015inch

APPD BY	J. H. KIM	UNIT	INCH	SUBJECT	NEMA 286T	CAD PROJ \ FILE	XSMOUTN\A1110AA
CHKD BY	K. S. LEE	SCALE	1/10				
CHKD BY		PROJEC'N	3rd Angle	TITLE OUTLINE			
DSND BY	KIM IN KYU	DATE	2010.12.31				
				REF. NO	A1110AA	Sheet No. of	
				DWG NO	350A1110AA	Revision No. 0	