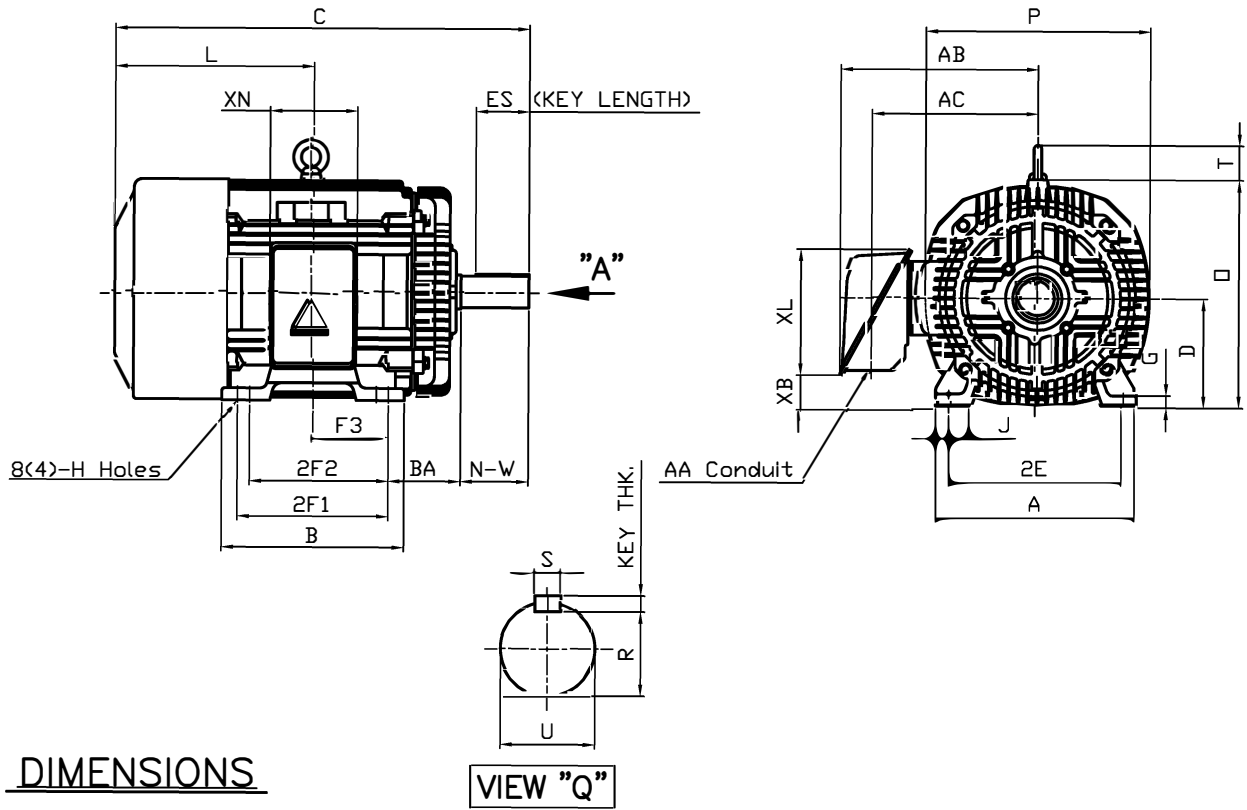


본 도면은 현대중공업(주) 재산이므로
허가없이 복사할 수 없음 (추첨유위)

THIS DRAWING IS PROPRIETARY TO HEECO. NO PART OF THIS DRAWING
MAYBE REPRODUCED WITHOUT THE PERMISSION OF HHI.

		<h1>TEFC</h1> <h2>THREE PHASE INDUCTION MOTOR</h2>		TYPE LP, JP Cast iron frame
FRAME SIZE	OUTPUT(HP)	POLES	Hz	TIME RATING
365TS-2P			60	CONT



DIMENSIONS

VIEW "Q"

M O U N T I N G									C O N D U I T B O X					APPROX. WGT.(LB)	
A	B	2E	2F1	2F2	F3	G	J	H	AA	AB	AC	XB	XL		XN
16.14	14.92	14.00	12.25	(11.25)	6.122	0.98	2.72	0.66	2.50	17.13	13.82	2.70	10.24	7.09	820

O V E R A L L							S H A F T				KEY	BEARING		
BA	C	D	L	O	P	T	U	N- W	KEYWAY			THK.	DRIVE END	OPP. DRIVE END
									R	ES	S			
5.88	31.88	9.00	16.13	18.50	18.23	2.80	1.875	3.75	1.591	2.03	0.500	0.500	6213C3	6213C3

NOTE

1. Dimension "D" tolerance : +0.00inch - 0.03inch (143T-365T) ; +0.000inch - 0.06inch (404T-449T)
2. Dimension "U" tolerance : +0.000inch - 0.005inch (143T-215T), +0.000inch - 0.001inch (254T-449T)
3. Dimension "R" tolerance : +0.000inch - 0.015inch

Q'TY	DESCRIPTION	MATERIAL	DIMENSION	WEIGHT	PART NO.	REMARK	NO.
APPD BY	K.J. KANG	UNIT	INCH	SUBJECT	365TS	CAD PROJ	FILE
Q.P CHK		SCALE	N/S	TITLE	OUTLINE		
CHKD BY		PROJEC'N	3 각법(3rd Angle)	REF. NO	A1114BA	Sheet No.	of
DSND BY	N.D.LEE	DATE	2011.02.09	DWG NO	350A1114BA	Revision No.	0