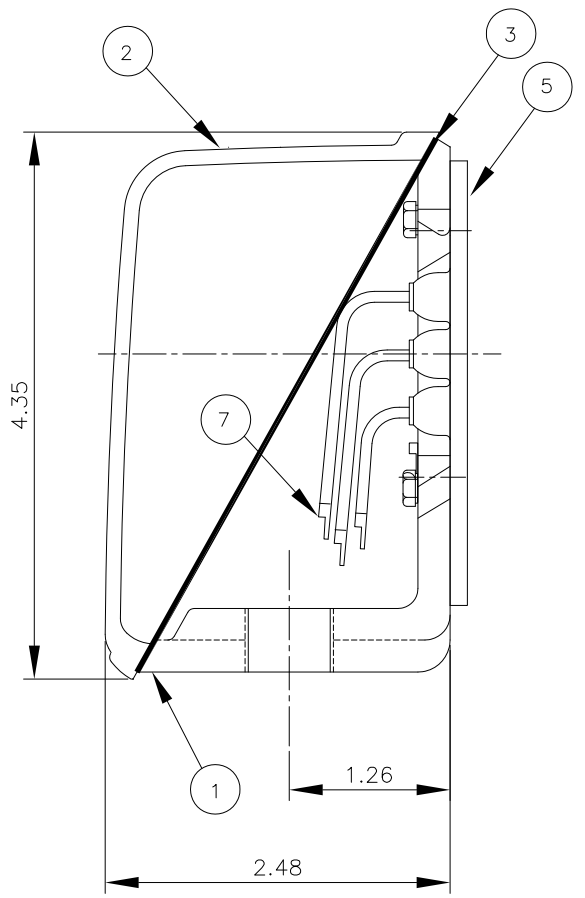
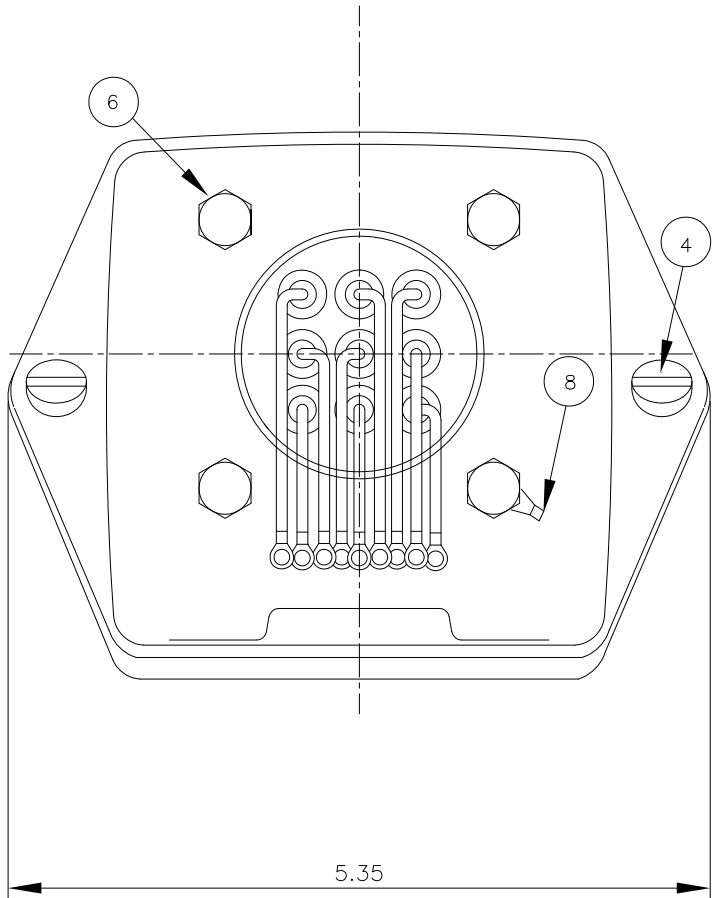


THIS DRAWING IS PROPRIETARY TO HHI. NO PART OF THIS DRAWING MAYBE REPRODUCED WITHOUT THE PERMISSION OF HHI.



| PT | DESCRIPTION | MATERIAL | DIMENSION | Q,TY |
|----|-----------------|----------|--------------|------|
| 1 | CONDUIT BOX | FC15 | | 1 |
| 2 | C/B COVER | FC15 | | 1 |
| 3 | GASKET(COVER) | EPDM | T1.5X137X122 | 1 |
| 4 | SCREW(COVER) | S45C | M5XL20 | 2 |
| 5 | GASKET(C/B) | EPDM | | 1 |
| 6 | SCREW(C/B) | S45C | M6XL20 | 4 |
| 7 | TERMINAL LUG | CU | T0.8 | |
| 8 | TERMINAL GROUND | CU | T1.2 | 1 |

| REV | DATE | CONTENTS | REVD BY | CHKD BY | CHKD BY | APPD BY |
|-----|------|----------|---------|---------|---------|---------|
| 1 | | | | | | |
| 2 | | | | | | |
| 3 | | | | | | |
| 4 | | | | | | |

| Q'TY | DESCRIPTION | MATERIAL | DIMENSION | WEIGHT | PART NO. | REMARK | NO. |
|---------|---------------|----------|------------------|---------------------------|---------------|--------------|------|
| APPD BY | KIM JIN HONG | UNIT | INCH | SUBJECT | NEMA 180, 210 | CAD PROJ | FILE |
| CHKD BY | KIM YU SUNG | SCALE | 1/2 | TITLE | | | |
| CHKD BY | GO SECK HAN | PROJEC'N | 3 2차 (3rd Angle) | CONDUIT BOX & COVER ASS'Y | | | |
| DSND BY | LEE KWANG SOO | DATE | 94.12.15 | REF. NO | B8003CB | Sheet No. | of |
| | | | | DWG NO | 227B8003CB | Revision No. | 0 |