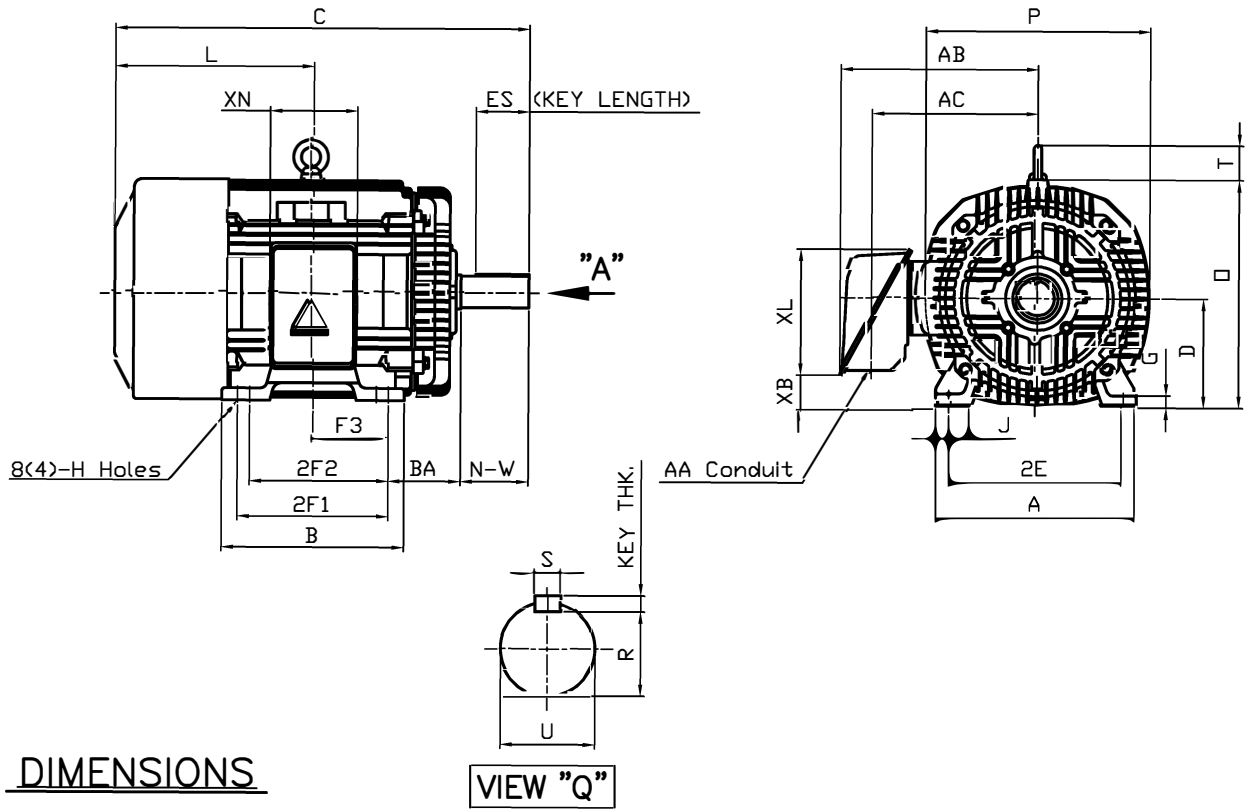


본 도면은 현대중공업(주) 재산이므로
허가없이 복사할 수 없음 (추첨유의)

THIS DRAWING IS PROPRIETARY TO HEECO. NO PART OF THIS DRAWING
MAYBE REPRODUCED WITHOUT THE PERMISSION OF HHI.

| | | | | |
|------------|------------|--|----|--|
| | | <h1>TEFC</h1> <h2>THREE PHASE INDUCTION MOTOR</h2> | | TYPE LP, JP Cast iron frame |
| FRAME SIZE | OUTPUT(HP) | POLES | Hz | TIME RATING |
| 365T-2P | | | 60 | CONT |



DIMENSIONS

VIEW "Q"

| M O U N T I N G | | | | | | | | | C O N D U I T B O X | | | | | APPROX. WGT.(LB) | |
|-----------------|-------|-------|-------|---------|-------|------|------|------|---------------------|-------|-------|------|-------|------------------|-----|
| A | B | 2E | 2F1 | 2F2 | F3 | G | J | H | AA | AB | AC | XB | XL | | XN |
| 16.14 | 14.92 | 14.00 | 12.25 | (11.25) | 6.122 | 0.98 | 2.72 | 0.66 | 3.00 | 17.13 | 13.82 | 2.70 | 10.24 | 7.09 | 820 |

| O V E R A L L | | | | | | | S H A F T | | | | KEY | BEARING | | |
|---------------|-------|------|-------|-------|-------|------|-----------|------|--------|------|-------|---------|-----------|----------------|
| BA | C | D | L | O | P | T | U | N- W | KEYWAY | | | THK. | DRIVE END | OPP. DRIVE END |
| | | | | | | | | | R | ES | S | | | |
| 5.88 | 34.01 | 9.00 | 16.13 | 18.50 | 18.23 | 2.80 | 2.375 | 5.88 | 2.021 | 4.28 | 0.625 | 0.625 | 6213C3 | 6213C3 |

NOTE

1. Dimension "D" tolerance : +0.00inch - 0.03inch (143T-365T) ; +0.000inch - 0.06inch (404T-449T)
2. Dimension "U" tolerance : +0.000inch - 0.005inch (143T-215T), +0.000inch - 0.001inch (254T-449T)
3. Dimension "R" tolerance : +0.000inch - 0.015inch

| Q'TY | DESCRIPTION | MATERIAL | DIMENSION | WEIGHT | PART NO. | REMARK | NO. |
|---------|-------------|----------|-----------------|---------|------------|--------------|------|
| APPD BY | K.J. Kang | UNIT | INCH | SUBJECT | 365T | CAD PROJ | FILE |
| Q.P CHK | | SCALE | N/S | TITLE | OUTLINE | | |
| CHKD BY | | PROJEC'N | 3 각법(3rd Angle) | REF. NO | A1114AA | Sheet No. | of |
| DSND BY | N.D.Lee | DATE | 2011.01.12 | DWG NO | 350A1114AA | Revision No. | 0 |