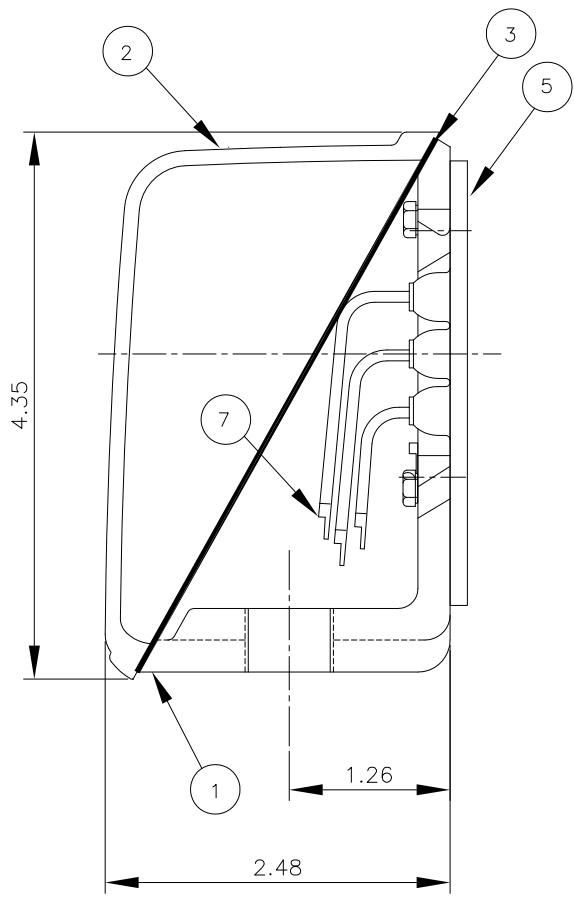
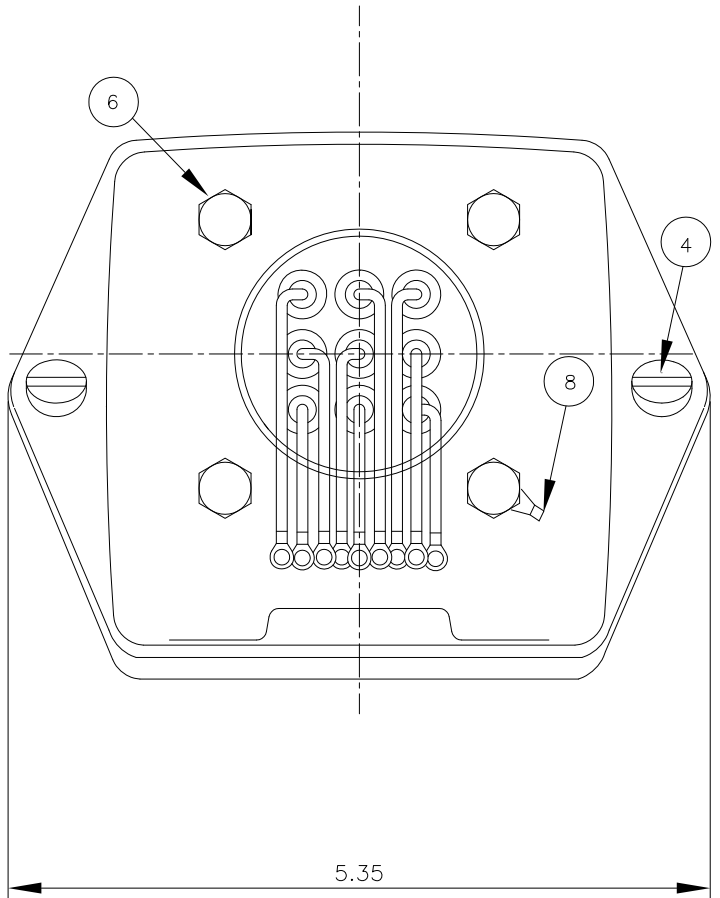


THIS DRAWING IS PROPRIETARY TO HHI. NO PART OF THIS DRAWING MAYBE REPRODUCED WITHOUT THE PERMISSION OF HHI.



PT	DESCRIPTION	MATERIAL	DIMENSION	Q,TY
1	CONDUIT BOX	FC15		1
2	C/B COVER	FC15		1
3	GASKET(COVER)	EPDM	T1.5X137X122	1
4	SCREW(COVER)	S45C	M5XL20	2
5	GASKET(C/B)	EPDM		1
6	SCREW(C/B)	S45C	M6XL20	4
7	TERMINAL LUG	CU	T0.8	
8	TERMINAL GROUND	CU	T1.2	1

REV	DATE	CONTENTS	REVD BY	CHKD BY	CHKD BY	APPD BY
1						
2						
3						
4						

Q'TY	DESCRIPTION	MATERIAL	DIMENSION	WEIGHT	PART NO.	REMARK	NO.
APPD BY	KIM JIN HONG	UNIT	INCH	SUBJECT		NEMA 180, 210	CAD PROJ FILE XSMOUT\B8003CB2
CHKD BY	KIM YU SUNG	SCALE	1/2	TITLE			
CHKD BY	GO SECK HAN	PROJEC'N	3 2차 (3rd Angle)	CONDUIT BOX & COVER ASS'Y			
DSND BY	LEE KWANG SOO	DATE	94.12.15	REF. NO	B8003CB	Sheet No.	of
				DWG NO	227B8003CB	Revision No.	0