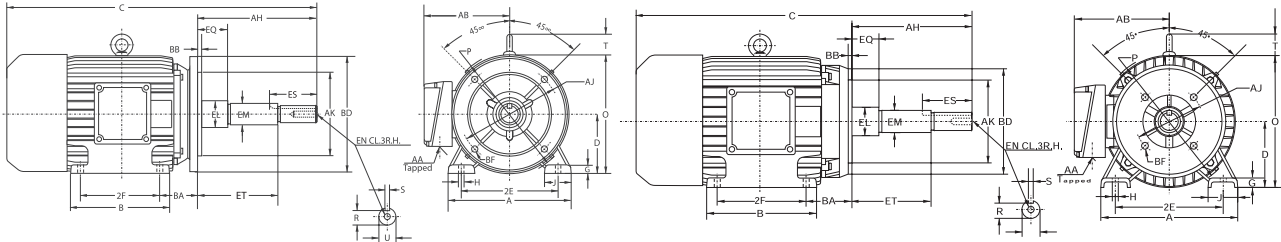


143JM/JP - 184JM/JP

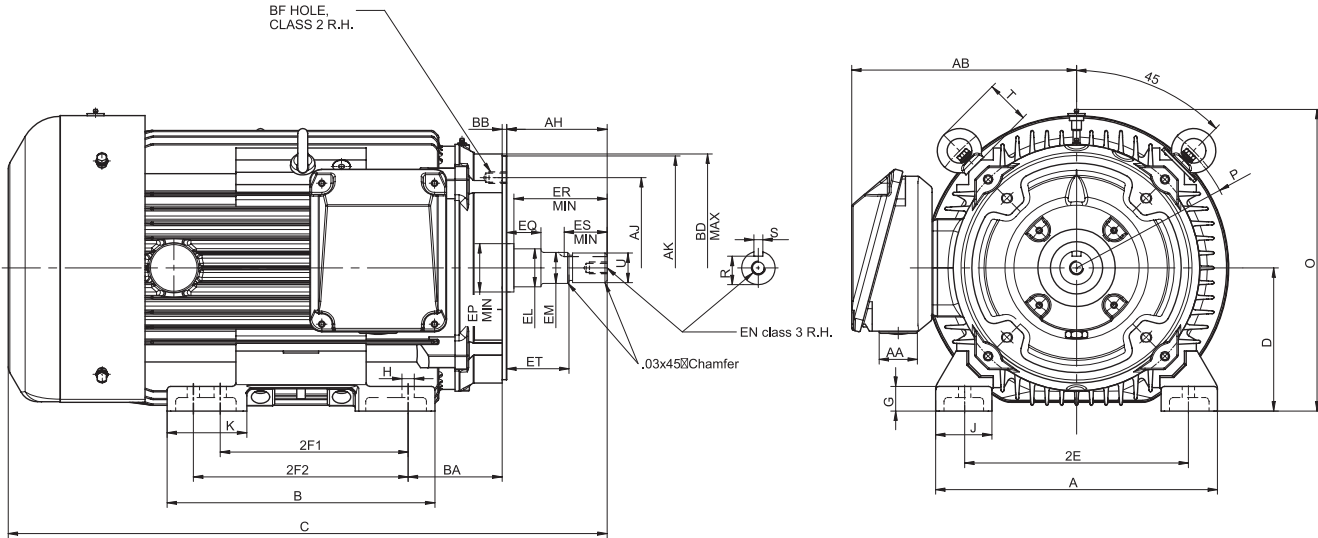
213JM/JP - 286JM/JP



Frame	U	AH	AJ	AK	BB	BD Max	BF			EL	EM	EN			EQ	Keyseat			ET
							#	Tap Size	Bolt Penetration Allowance			Tap Size	Tap Drill Depth Max	Bolt Penetration Allowance		R	ES Min	S	
143 JP	0.8745 0.8740	7.343 7.281	5.875	4.500 4.497	0.156 0.125	6.50	4	3/8-16	0.56	1.156	1.0000 0.9995	3/8-16	1.12	0.85	1.578 1.548	0.771 0.756	1.65	0.190 0.188	5.952
145 JP										1.154									5.922
182 JP										1.250 1.248									5.922
184 JP		1.156 1.154		2.890															
143 JM		4.281 4.219		2.860															
182 JM		1.250 1.248		2.860															
213 JP	1.2495 1.2490	8.156 8.094	7.250	8.500 8.497	0.312 0.250	9.0 10.0 14.0	4	1/2-13	0.75	1.750	1.3750 1.3745	3/8-16	1.12	0.85	2.390 2.360	1.112 1.097	1.65	0.252 0.250	5.890
215 JP										1.748									5.860
254 JP										1.250 1.248									5.860
256 JP		1.156 1.154		5.890															
284 JP		1.250 1.248		5.855															
286 JP		1.156 1.154		5.855															
213 JM	0.8745 0.8740	4.281 4.219	7.250	8.500 8.497	0.312 0.250	9.0 10.0 14.0	4	1/2-13	0.75	1.250	1.0000 0.9995	3/8-16	1.1222	0.85	0.640 0.610	0.771 0.756	1.65	0.190 0.188	2.890
215 JM	1.248	2.860																	
254 JM	1.156 1.154	3.015																	
256 JM	1.250 1.248	2.985																	
284 JM	1.156 1.154	2.985																	
286 JM	1.250 1.248	3.020																	

Frame	D	2E	2F	G	H	BA	A	AA	AB	B	C	J	O	P	T
143 JP	3.50	5.50	4.00	0.39	0.34	2.36	6.62	3/4	6.50	5.83	19.41	1.66	7.48	8.27	-
145 JP	3.50	5.50	5.00	0.39	0.34	2.36	6.62	3/4	6.50	7.00	20.36	1.66	7.48	8.27	-
182 JP	4.50	7.50	4.50	0.60	0.41	2.78	9.00	1	7.90	6.74	22.42	2.13	9.09	9.53	1.77
184 JP	4.50	7.50	5.50	0.60	0.41	2.78	9.00	1	7.90	8.31	22.43	2.13	9.09	9.53	1.77
143 JM	3.50	5.50	4.00	0.39	0.34	2.36	6.62	3/4	6.50	5.83	16.35	1.66	7.48	8.27	-
145 JM	3.50	5.50	5.00	0.39	0.34	2.36	6.62	3/4	6.50	7.00	17.30	1.66	7.48	8.27	-
182 JM	4.50	7.70	4.50	0.60	0.41	2.78	9.00	1	7.90	6.74	19.36	2.13	0.09	9.53	1.77
184 JM	4.50	7.70	5.50	0.60	0.41	2.78	9.00	1	7.90	8.31	19.36	2.13	0.09	9.53	1.77
213 JP	5.25	8.50	5.50	0.72	0.41	3.80	10.24	1	8.45	8.10	27.28	2.20	10.55	10.94	1.77
215 JP	5.25	8.50	5.50	0.72	0.41	3.80	10.24	1	8.45	9.60	27.91	2.20	10.55	10.94	1.77
254 JP	6.25	10.00	8.25	0.58	0.55	4.50	12.28	1 1/4	10.08	9.92	30.24	2.36	13.18	14.17	2.08
256 JP	6.25	10.00	10.00	0.58	0.55	4.50	12.28	1 1/4	10.08	11.65	32.01	2.36	13.18	14.17	2.08
284 JP	7.00	11.00	9.50	0.89	0.55	4.95	13.78	1 1/2	10.34	11.61	34.94	2.75	14.01	14.17	2.08
286 JP	7.00	11.00	11.00	0.89	0.55	4.95	13.78	1 1/2	10.34	13.11	34.94	2.75	14.01	14.17	2.08
213 JM	5.25	8.50	5.50	0.72	0.41	3.80	10.24	1	8.45	8.10	23.88	2.20	10.55	10.94	1.77
215 JM	5.25	8.50	7.00	0.72	0.41	3.80	10.24	1	8.45	9.60	24.11	2.20	10.55	10.94	1.77
254 JM	6.25	10.00	8.25	0.58	0.55	4.50	12.28	1 1/4	10.08	9.92	27.36	2.36	13.18	14.17	2.08
256 JM	6.25	10.00	10.00	0.58	0.55	4.50	12.28	1 1/4	10.08	11.65	29.13	2.36	13.18	14.17	2.08
284 JM	7.00	11.00	9.50	0.89	0.55	4.95	13.78	1 1/2	10.34	11.61	32.06	2.75	14.01	14.17	2.08
286 JM	7.00	11.00	11.00	0.89	0.55	4.95	13.78	1 1/2	10.34	13.11	32.06	2.75	14.01	14.17	2.08

324JM/JP - 365JM/JP



Frame	U	AH	AJ	AK	BB	BD Max	BF			EL	EM
							#	Tap Size	Bolt Penetration Allowance		
324 JM	1.2495-1.2490	5.281-5.219	11	12.500-12.495	0.312-0.250	14	4	5/8-11	0.94	1.750-1.748	1.3750-1.3745
326 JM	1.2495-1.2490	5.281-5.219	11	12.500-12.495	0.312-0.250	14	4	5/8-11	0.94	1.750-1.748	1.3750-1.3745
364 JM	1.6245-1.6240	5.281-5.219	11	12.500-12.495	0.312-0.250	14	4	5/8-11	0.94	1.750-1.748	1.3750-1.3745
365 JM	1.6245-1.6240	5.281-5.219	11	12.500-12.495	0.312-0.250	14	4	5/8-11	0.94	1.750-1.748	1.3750-1.3745
324 JP	1.2495-1.2490	8.156-8.094	11	12.500-12.495	0.312-0.250	14	4	5/8-11	0.94	1.750-1.748	1.3750-1.3745
326 JP	1.2495-1.2490	8.156-8.094	11	12.500-12.495	0.312-0.250	14	4	5/8-11	0.94	1.750-1.748	1.3750-1.3745
364 JP	1.6245-1.6240	8.156-8.094	11	12.500-12.495	0.312-0.250	14	4	5/8-11	0.94	2.125-2.123	1.7500-1.7495
365 JP	1.6245-1.6240	8.156-8.094	11	12.500-12.495	0.312-0.250	14	4	5/8-11	0.94	2.125-2.123	1.7500-1.7495

Frame	EN			EP Min	EQ	ER Min	Keyseat			ET
	Tap Size	Tap Drill Depth Max	Bolt Penetration Allowance				R	ES Min	S	
324 JM	1/2-13	1.5	1	2.125	0.645-0.605	5.25	1.112-1.097	2.53	0.252-0.250	3.020-2.980
326 JM	1/2-13	1.5	1	2.125	0.645-0.605	5.25	1.112-1.097	2.53	0.252-0.250	3.020-2.980
364 JM	1/2-13	1.5	1	2.756	0.645-0.605	5.25	1.112-1.097	2.53	0.252-0.250	3.020-2.980
365 JM	1/2-13	1.5	1	2.756	0.645-0.605	5.25	1.112-1.097	2.53	0.252-0.250	3.020-2.980
324 JP	1/2-13	1.5	1	2.125	2.395-2.355	8.125	1.112-1.097	2.53	0.252-0.250	5.895-5.855
326 JP	1/2-13	1.5	1	2.125	2.395-2.355	8.125	1.112-1.097	2.53	0.252-0.250	5.895-5.855
364 JP	1/2-13	1.5	1	2.5	2.395-2.355	8.125	1.416-1.401	2.53	0.377-0.375	5.895-5.855
365 JP	1/2-13	1.5	1	2.5	2.395-2.355	8.125	1.416-1.401	2.53	0.377-0.375	5.895-5.855

Frame	D	2E	2F	G	H	BA	A	AA	AB	B	C	J	O	P	T
324 JM	8.0000	12.5	10.5/-	1.38	0.66	5.25	15.8	2	12.6	15	33.38	3.15	16.9	17.9	2.5
326 JM	8.0000	12.5	10.50/12.0	1.38	0.66	5.25	15.8	2	12.6	15	33.38	3.15	16.9	17.9	2.5
364 JM	9.0000	14	11.25/-	1.49	0.66	5.88	17.5	3	13.6	15	35.42	3.35	18.7	19.9	2.5
365JM	9.0000	14	11.25/12.25	1.49	0.66	5.88	17.5	3	13.6	15	35.42	3.35	18.7	19.9	2.5
324 JP	8.0000	12.5	10.5/-	1.38	0.66	5.25	15.8	2	12.6	15	36.26	3.15	16.9	17.9	2.5
326 JP	8.0000	12.5	10.5/12.0	1.38	0.66	5.25	15.8	2	12.6	15	36.26	3.15	16.9	17.9	2.5
364 JP	9.0000	14	11.25/-	1.49	0.66	5.88	17.5	3	13.6	15	38.3	3.35	18.7	19.9	2.5
365 JP	9.0000	14	11.25/12.25	1.49	0.66	5.88	17.5	3	13.6	15	38.3	3.35	18.7	19.9	2.5