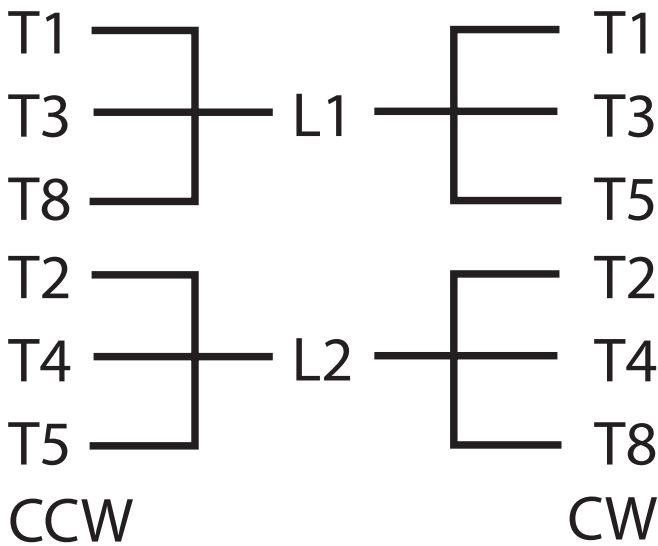


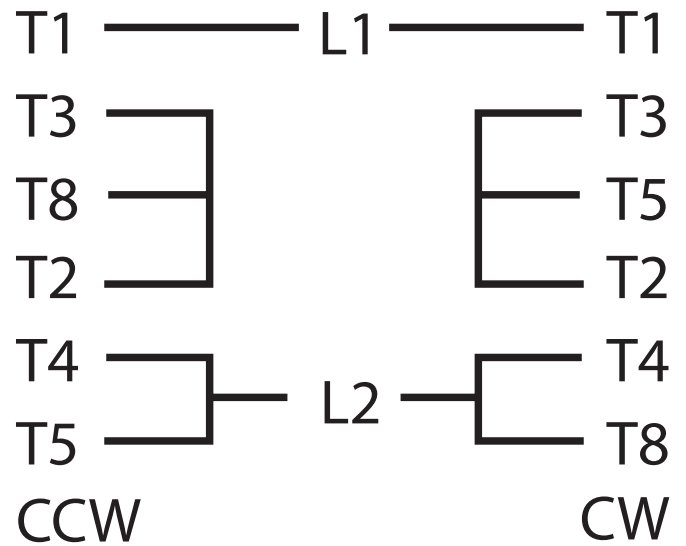
208-230V  
60 Hz

460V  
60 Hz

LOW VOLTAGE



HIGH VOLTAGE



CONNECTION DIAGRAM

**182T/TC-215T/TC**