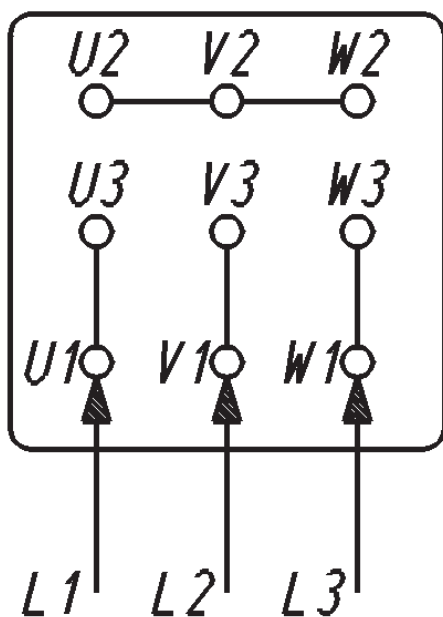
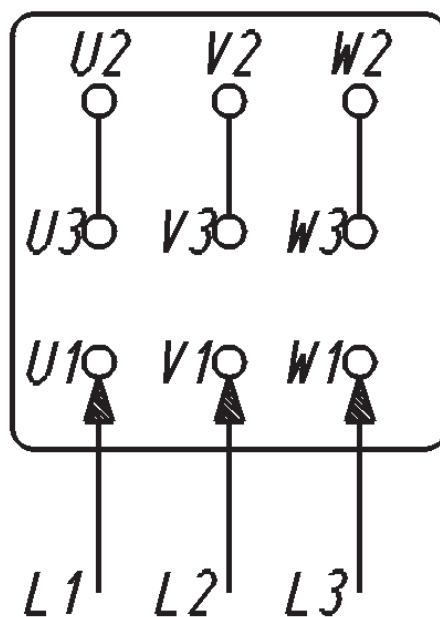


**YY**



220-230V

**Y**



380-460V

**IEC 90S to 112M**