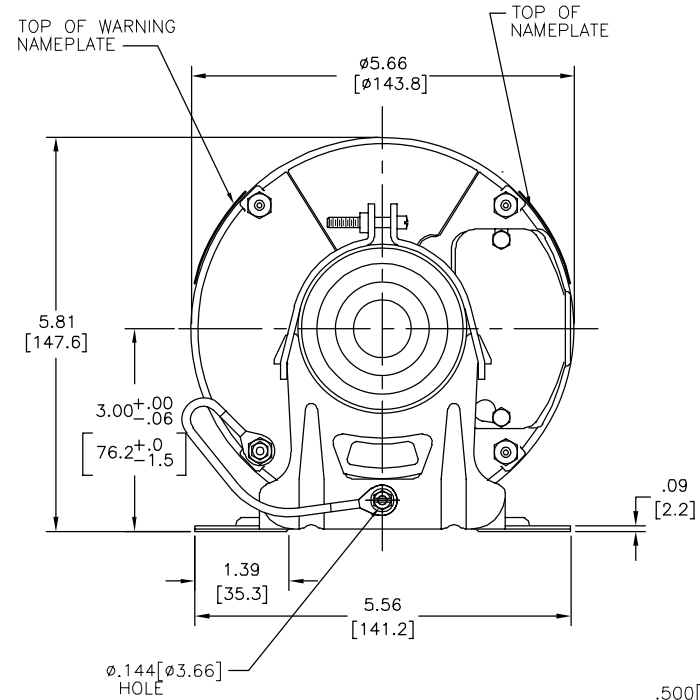
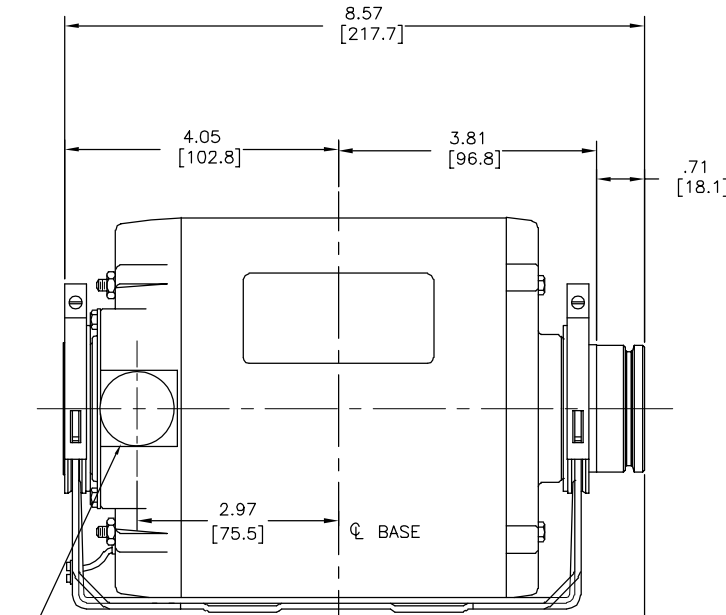


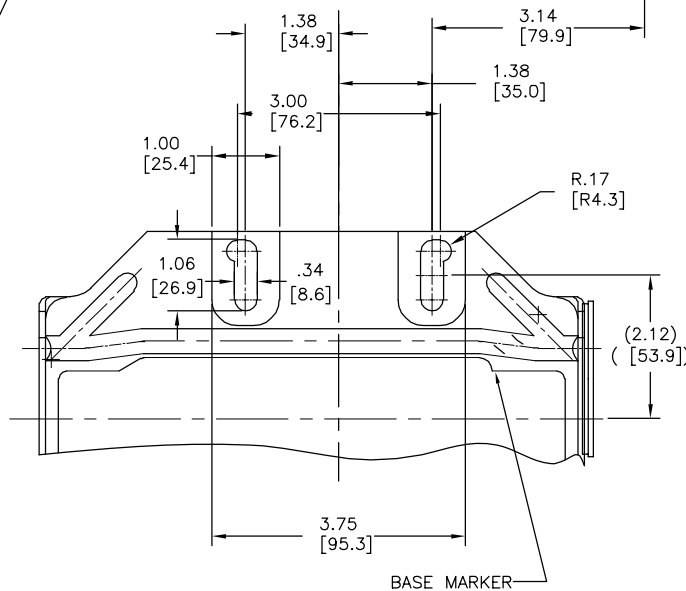
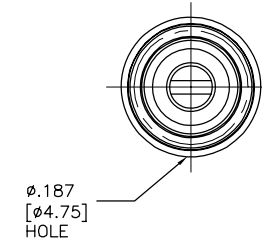
REV	ECO	REV BY	DATE	APPD	DATE
B	0025409	R. JARAMILLO	04-17-2012	R. RASCON	04-17-2012



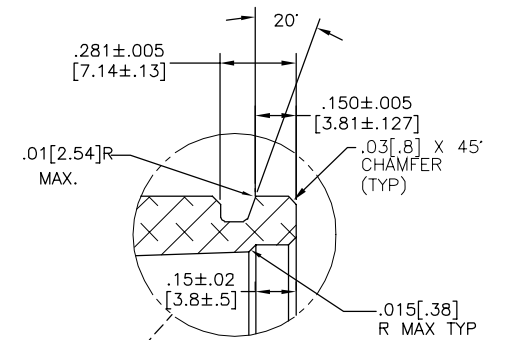
.500 [12.70] PIPE TAP FOR CONDUIT CONNECTION (PLUGGED)



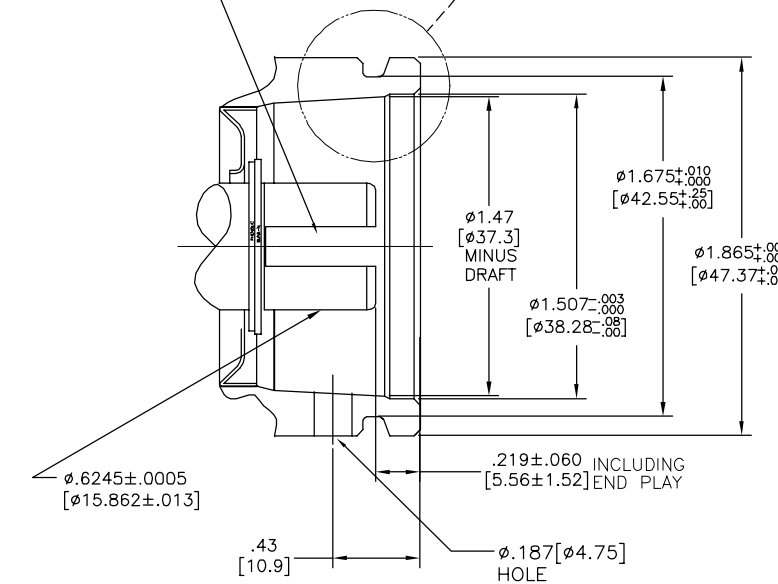
SHAFT CONCENTRIC WITH $\phi 1.507$ [$\phi 38.28$]
WITHIN .003 [.08] T.I.R. AND
PERPENDICULAR WITH HUB FACE
WITHIN .003 [.08] T.I.R.



BOTTOM VIEW OF BASE



SLOT: .197
(-.005) [5.00 (-.13)] WIDE X
.531 [13.49] MIN. DEEP



ENLARGED SECT. VIEW OF HUB

GEOMETRIC CHARACTERISTICS & SYMBOLS

- FLATNESS
- STRAIGHTNESS
- ANGULARITY
- PERPENDICULARITY (SQUARENESS)
- // PARALLELISM
- ROUNDNESS (CIRCULARITY)
- CYLINDRICITY
- PROFILE OF ANY SURFACE
- PROFILE OF ANY LINE
- RUNOUT
- TRUE POSITION
- CONCENTRICITY
- SYMMETRY

UNLESS OTHERWISE SPECIFIED
DIM. TOLERANCES ARE AS FOLLOWS:

INCH $\pm .1$ $\pm .02$ $\pm .005$ $\pm .0005$

mm ± 0.5 ± 0.13 ± 0.013

ANG. ± 50 DEG

REMOVE BURRS & BREAK SHARP EDGES:

INCH .003-.015 mm 0.1-0.4

CORNER FILLETS TO:

INCH .020 mm 0.5

MACHINE SURFACES:

INCH 125 mm 3.2

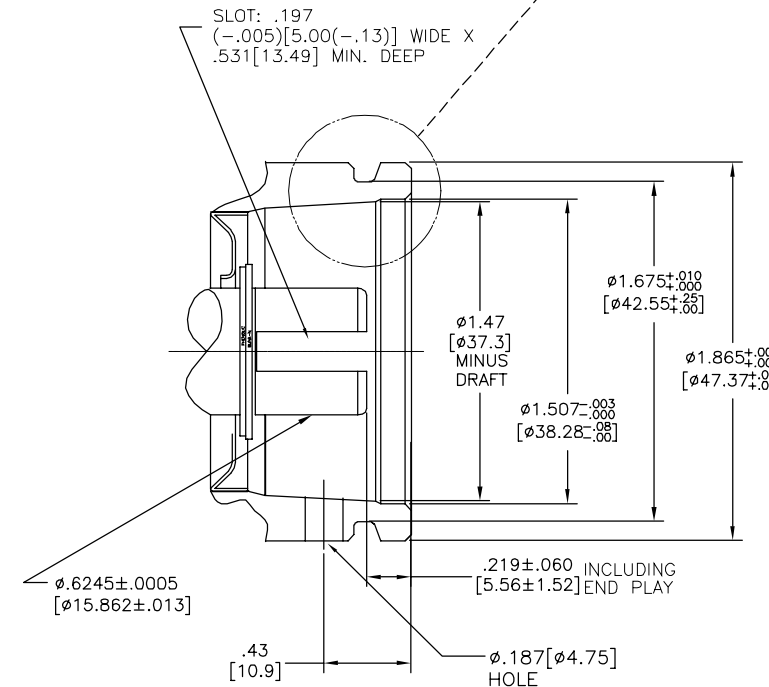
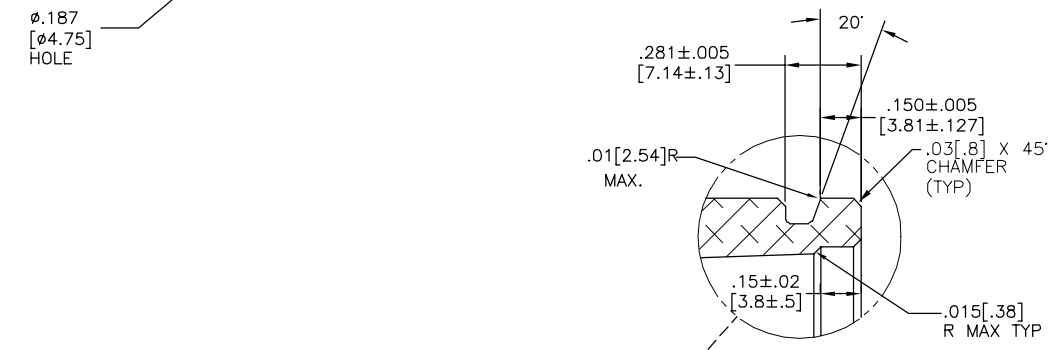
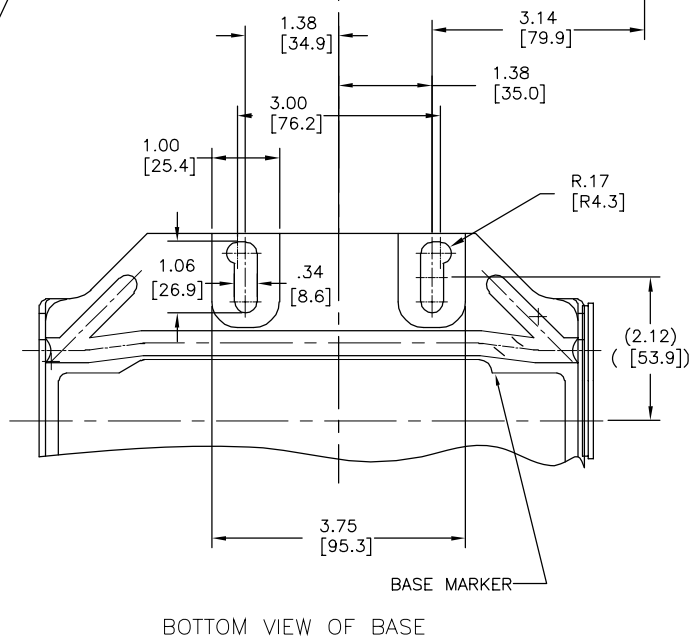
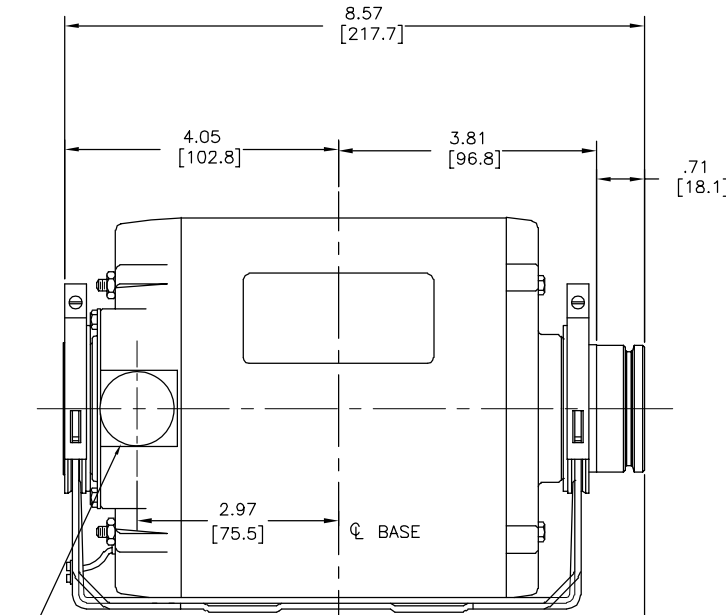
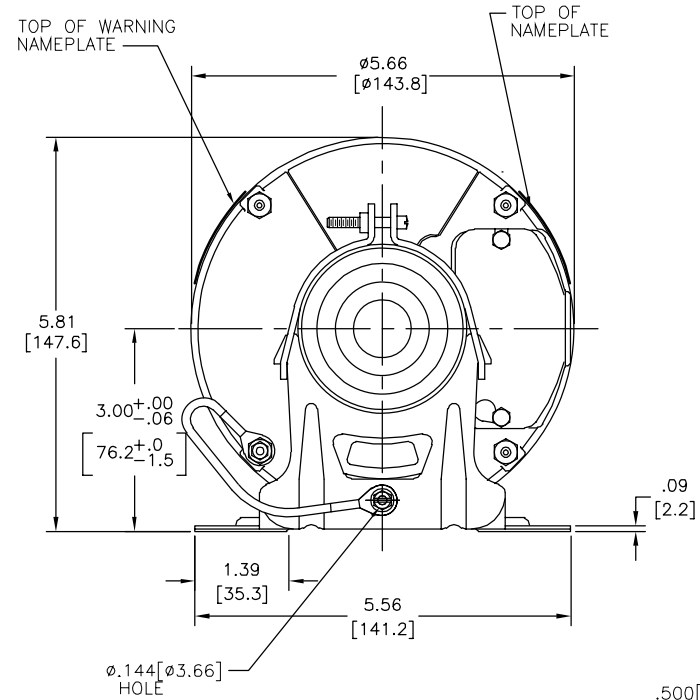
METRIC DIMS. SHOWN IN [BRACKETS]

DR BY:	RX	06-08-2010
APPD:	MH	06-08-2010
THRD ANGLE PROJECTION		EDS DATE 11-11-2011 FORMAT REV G

DESCRIPTION MODEL-PFHP-48FR OUTLINE	
SIZE D	DWG NO CB2034ADV1
SCALE NONE	SHEET 1

CONFIDENTIAL: THIS DRAWING AND ITS INFORMATION ARE THE EXCLUSIVE AND CONFIDENTIAL PROPERTY OF REGAL-BELOIT CORPORATION AND ARE NOT TO BE DISCLOSED, DUPLICATED, DISTRIBUTED OR OTHERWISE USED WITHOUT THE WRITTEN CONSENT OF REGAL-BELOIT CORPORATION. -ALL RIGHTS RESERVED.

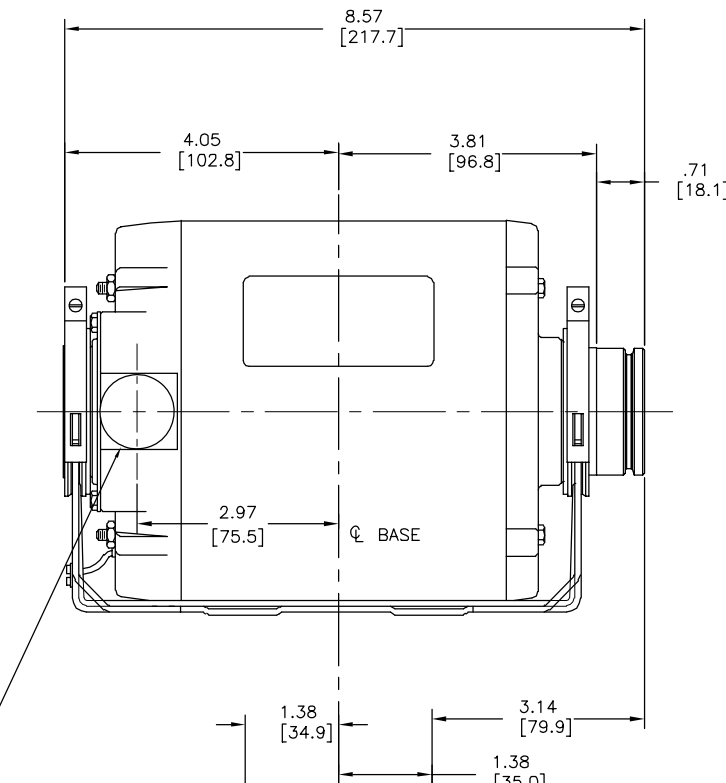
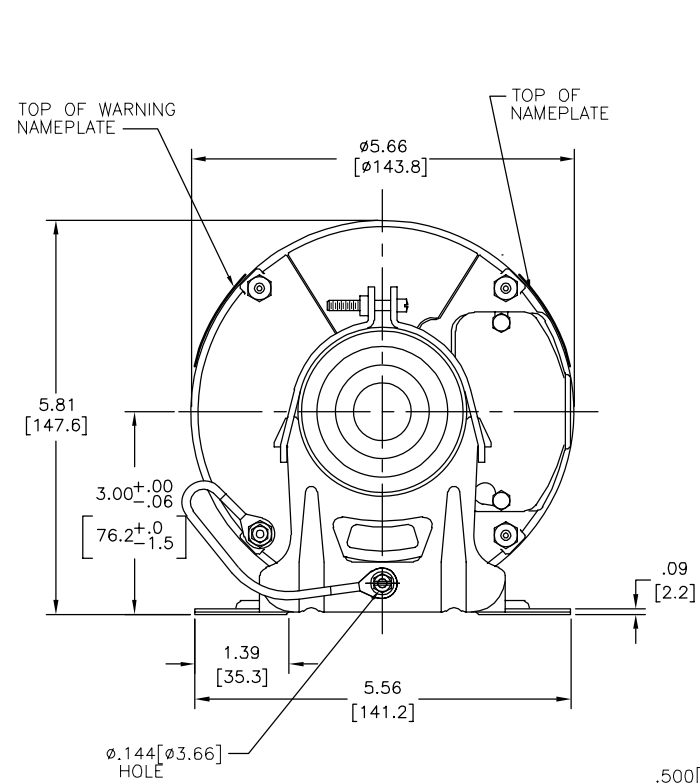
REVISION: ECO	REVISADO POR: R. JARAMILLO	FECHA: 04-17-2012	APROBADO POR: R. RASCON	FECHA: 04-17-2012
B	0025409			



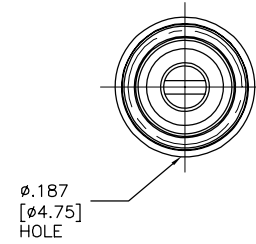
ENLARGED SECT. VIEW OF HUB

CARACTERISTICAS DE GEOMETRIA Y SIMBOLOS: L PLANICIDAD — RECTITUD < ANGULARIDAD L PERPENDICULARIDAD (A ESCUADRA) // PARALELISMO O REDONDEZ (CIRCULARIDAD) R CILINDRICIDAD > PERFIL DE CUALQUIER SUPERFICIE ^ PERFIL DE CUALQUIER LINEA / VARIACION + POSICION REAL © CONCENTRICIDAD = SIMETRIA	A MENOS QUE SE ESPECIFIQUE DE OTRA MANERA, LAS TOLERANCIAS DE LAS DIMS, SON LAS SIGUIENTES: PULG X XX XXX XXXX mm $\pm 0.5 \pm 0.13 \pm 0.013$ ANG ± 50 GRADOS ELIMINAR REBASAS Y ORILLAS FILOSAS DEL BORDE. PULG .003-.015 mm 0.1-0.4 FILETEAR ESQUINA: PULG .020 mm 0.5 MAQUINAR SUPERFICIES PULG 125 mm 3.2 DIMS METRICAS MOSTRADAS [PARENTESIS]	DIBUJADO POR: RX	06-08-2010	DESCRIPCION: MODEL-PFHP-48FR OUTLINE TAMAÑO: D NUMERO DE DIBUJO: CB2034ADV1 ESCALA: NONE HOJA: 1
		APROBADO POR: MH	06-08-2010	

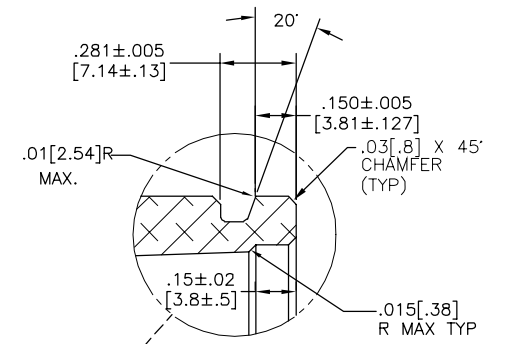
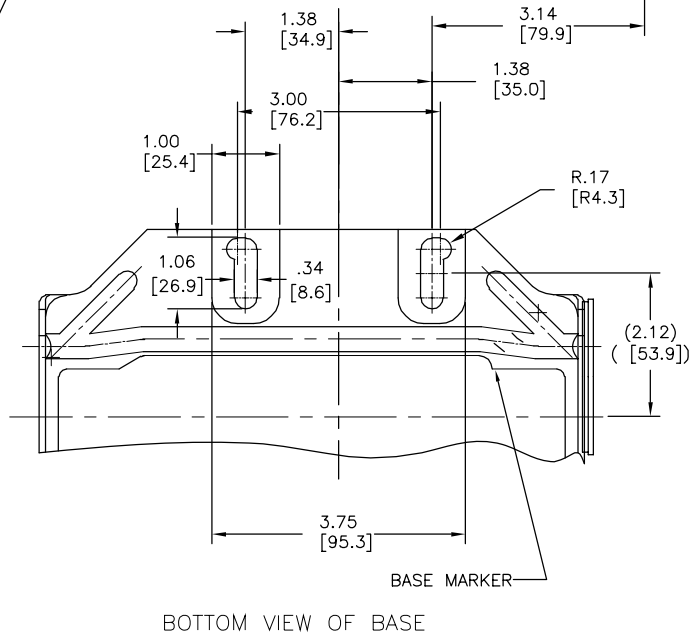
版本	ECO	编制	日期	批准	日期
B	0025409	R. JARAMILLO	04-17-2012	R. RASCON	04-17-2012



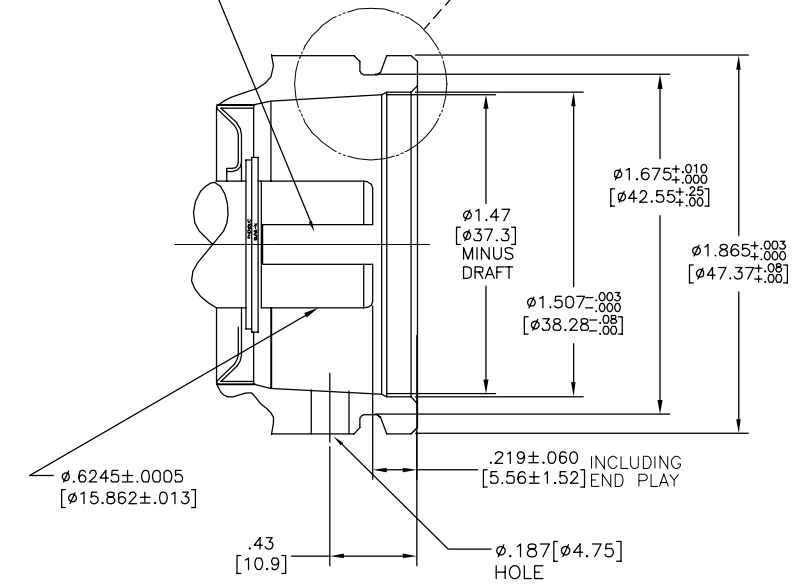
SHAFT CONCENTRIC WITH $\phi 1.507$ [$\phi 38.28$]
WITHIN .003 [.08] T.I.R. AND
PERPENDICULAR WITH HUB FACE
WITHIN .003 [.08] T.I.R.



.500 [12.70] PIPE TAP FOR
CONDUIT CONNECTION
(PLUGGED)



SLOT: .197
(-.005) [5.00 (-.13)] WIDE X
.531 [13.49] MIN. DEEP



ENLARGED SECT. VIEW OF HUB

形位公差 — 平面度 — 直线度 — 倾斜度 — 垂直度 — 平行度 — 圆度 — 圆柱度 — 面轮廓度 — 线轮廓度 — 圆跳动 — 位置度 — 同轴度 — 对称度	除另有注明 尺寸公差如下: 英寸 X XX XXX XXXX ±.1 ±.02 ±.005 ±.0005 毫米 ±0.5 ±0.13 ±0.013 清理毛刺和尖棱 英寸 .003-.015 毫米 0.1-0.4 内圆角 英寸 .020 毫米 0.5 表面粗糙度 英制 125 米制 3.2 米制尺寸显示在 []	绘图: RX 批准: MH 第三角投影	06-08-2010 06-08-2010 图纸格式发布日期 11-11-2011 图纸格式版本 G	名称 MODEL-PFHP-48FR OUTLINE	图幅 D 图号 CB2034ADV1	比例 NONE 页号 1
--	---	---------------------------	---	----------------------------------	-----------------------	-----------------

ASME Y14.5M 1994



MODEL-PFHP-48FR
OUTLINE

图幅 D 图号 CB2034ADV1

比例 NONE 页号 1