

4

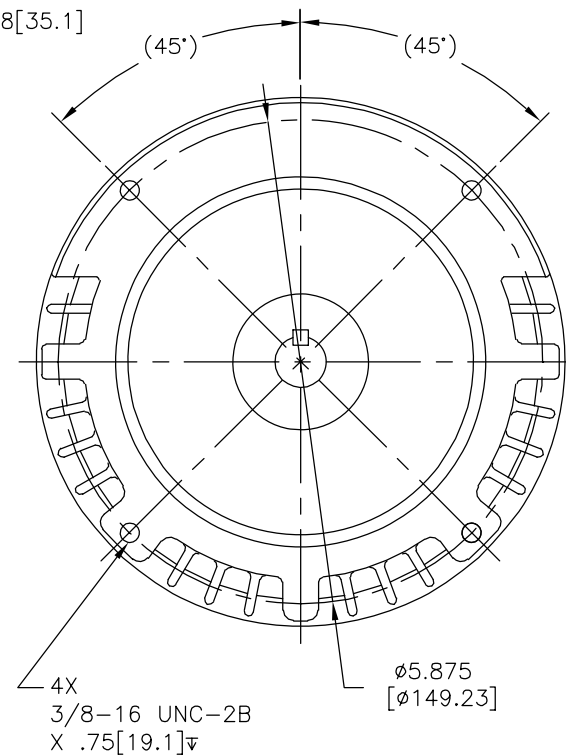
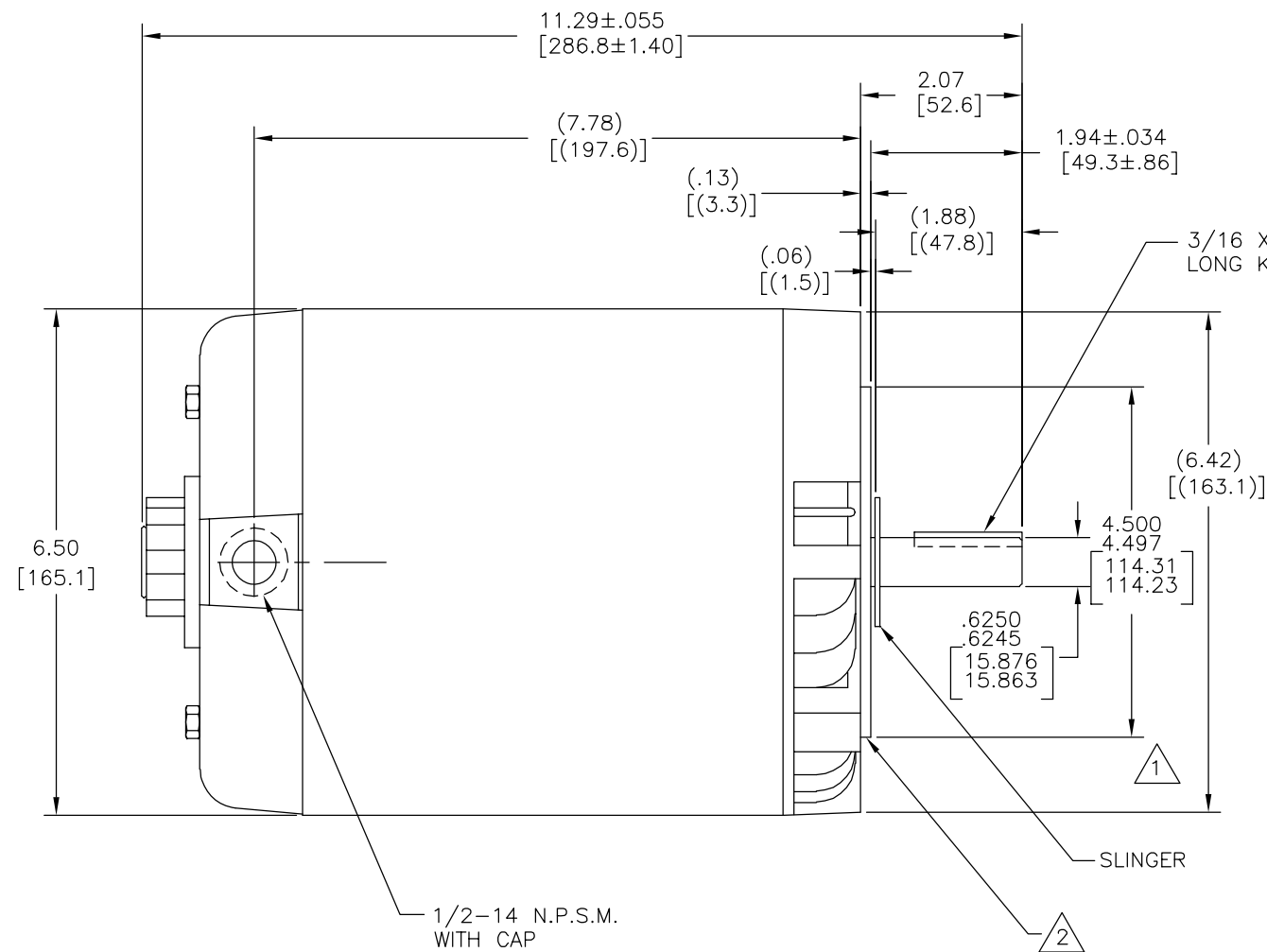
3

2

1

REV	ECO	REV BY	DATE	APPD	DATE
A	0036086	M.AVILA	07-29-2013	M.AVILA	07-29-2013

ALL DIMENSIONS SHOWN IN PARENTHESIS ARE REFERENCE DIMENSIONS.



NOTES:

1. PILOT DIAMETER IS CONCENTRIC WITH SHAFT CENTERLINE WITHIN .004[.10] T.I.R.
2. FACE OF MOUNTING FLANGE IS PERPENDICULAR TO SHAFT CENTERLINE WITHIN .004[.10] T.I.R.
3. SHAFT RUNOUT NOT TO EXCEED .002[.05] T.I.R.
4. END PLAY NOT TO EXCEED .010[.25] MEASURE WITH NO THRUST.

GEOMETRIC CHARACTERISTICS & SYMBOLS

- ▭ FLATNESS
- STRAIGHTNESS
- ∠ ANGULARITY
- ⊥ PERPENDICULARITY (SQUARENESS)
- // PARALLELISM
- ROUNDNESS (CIRCULARITY)
- ⊘ CYLINDRICITY
- △ PROFILE OF ANY SURFACE
- ⌒ PROFILE OF ANY LINE
- ↯ RUNOUT
- ⊕ TRUE POSITION
- ◎ CONCENTRICITY
- ≡ SYMMETRY

ASME Y14.5M 1994

UNLESS OTHERWISE SPECIFIED DIM. TOLERANCES ARE AS FOLLOWS:

INCH	±.1	±.02	±.005	±.0005
mm	±0.5	±0.13	±0.013	

ANG. ±.50 DEG
REMOVE BURRS & BREAK SHARP EDGES:
INCH .003-.015 mm 0.1-0.4
CORNER FILLETS TO:
INCH .020 mm 0.5
MACHINE SURFACES:
INCH 125 mm 3.2

METRIC DIMS. SHOWN IN [BRACKETS]

DR BY:	M.AVILA	07-29-2013
APPD:	M.RAMIREZ	07-29-2013
THIRD ANGLE PROJECTION	⊕	EDS DATE 11-11-2011 FORMAT REV H
CONFIDENTIAL: THIS DRAWING AND ITS INFORMATION ARE THE EXCLUSIVE AND CONFIDENTIAL PROPERTY OF REGAL-BELOIT CORPORATION AND ARE NOT TO BE DISCLOSED, DUPLICATED, DISTRIBUTED OR OTHERWISE USED WITHOUT THE WRITTEN CONSENT OF REGAL-BELOIT CORPORATION. -ALL RIGHTS RESERVED.		

REGAL REGAL-BELOIT CORPORATION	
DESCRIPTION OUTLINE	
SIZE C	DWG NO H428
SCALE NONE	SHEET 1

4

3

2

1

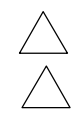
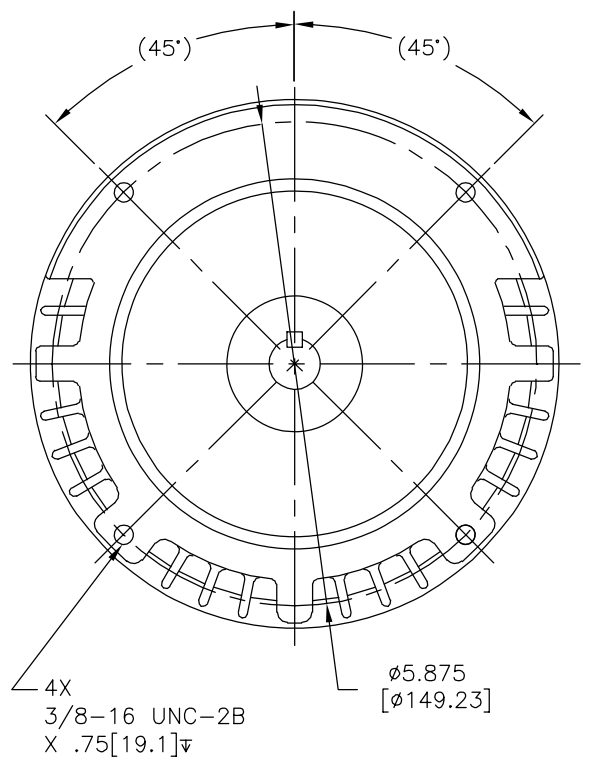
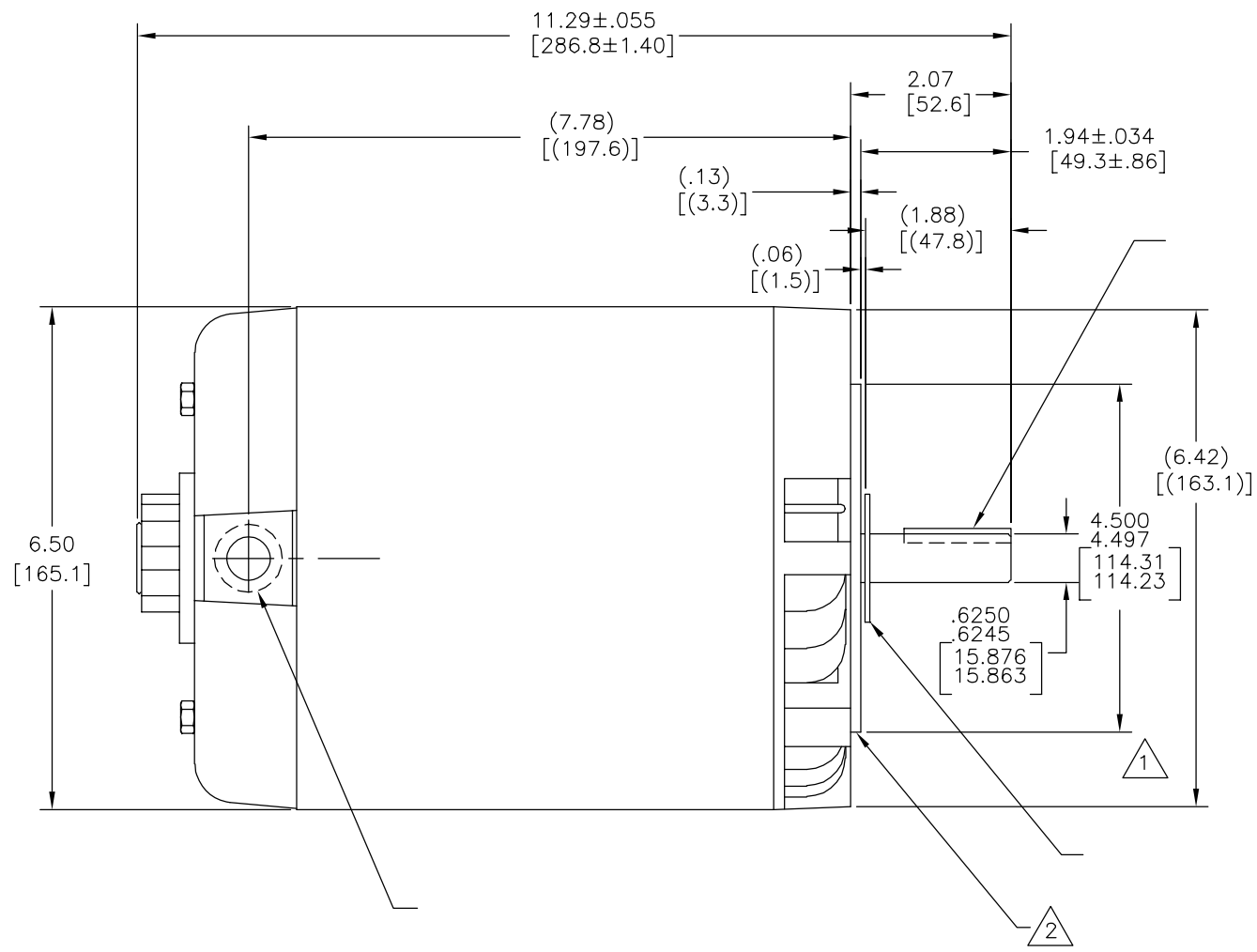
4

3

2

1

A	0036086	M.AVILA	07-29-2013	M.AVILA	07-29-2013
---	---------	---------	------------	---------	------------



	ASME Y14.5M 1994
--	------------------

M.AVILA	07-29-2013
M.RAMIREZ	07-29-2013
	11-11-2011
	H

REGAL-BELOIT CORPORATION	
OUTLINE	
C	H428
NONE	1

4

3

2

1

D

D

C

C

B

B

A

A