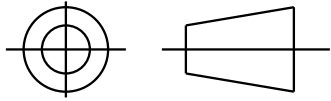


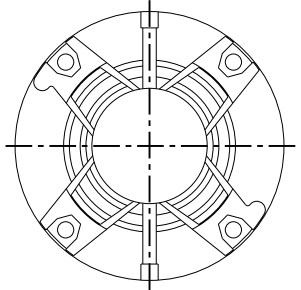
SHEET 1
REV 12
52A101910
SIZE DRAWING NO. A

THIRD ANGLE PROJECTION



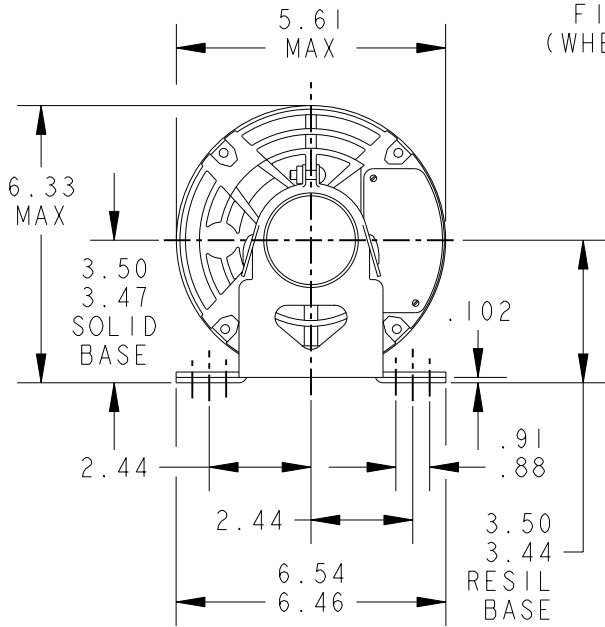
REVISIONS

REV.	DESCRIPTION	DATE	APPROVED
11	REDRAWN NO CHANGE T196-22390	07/10/96	MDP
12	CHG TO RBC FORMAT PER ISO5-1777	12/16/05	PRAVEEN.K

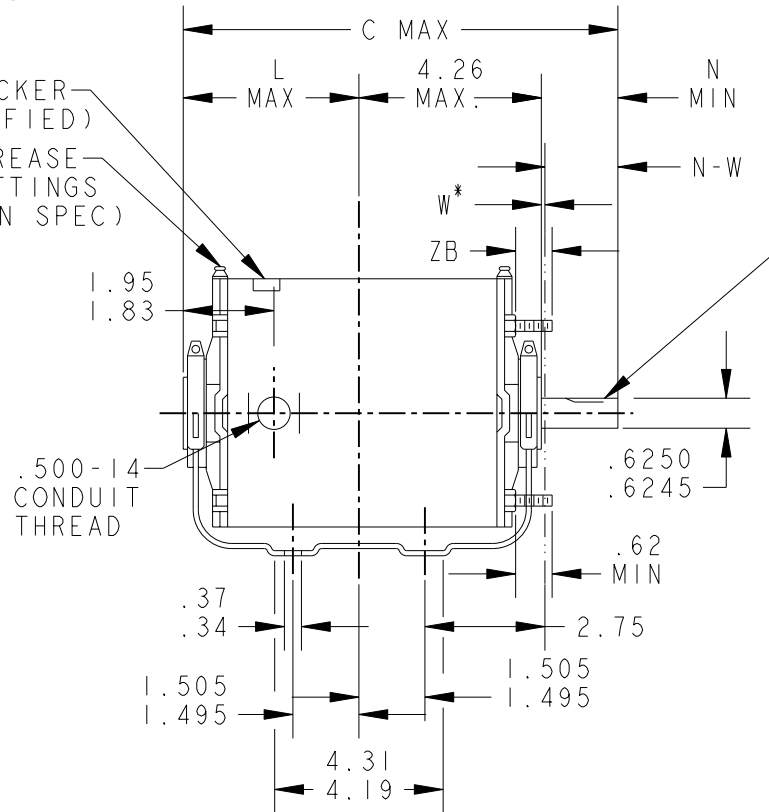


VIEW SHOWING
PE VENTILATION
OPENINGS

KEYWAY FOR
.188 X .188
X (K) LG. KEY



"TOP" STICKER
(WHEN SPECIFIED)
GREASE
FITTINGS
(WHEN SPEC)



*W IS A CLEARANCE DUE TO VARIATION IN PARTS & ASSEMBLY.

5	KH	35	56	9.89	1.38	3.80	1.88	2.01/1.79	.55/.52	
4	KH	39	56	11.85	1.38	5.76	1.88	2.01/1.79	.55/.52	7.75 SHL
3	KH	37	56	10.72	1.38	4.63	1.88	2.01/1.79	.55/.52	
2	KH	38	56	11.32	1.38	5.23	1.88	2.01/1.79	.55/.52	
1	KH	36	56	10.32	1.38	4.23	1.88	2.01/1.79	.55/.52	
PT	TYPE	GE SIZE	NEMA FR	C	K	L	N	N-W	ZB	

SIGNATURES		DATE
MODEL	JPK	01/19/76
DETAIL	.	.
CHECKED	.	.
ENGRG	.	.
MFG	.	.
FOR ADDITIONAL INFO REFER TO:	QUALITY	.
APPLIED PRACTICES	ISSUED	MDP 07/10/96
DIMENSIONS ARE IN INCHES ✓	SOLID MODEL: 52A101910	
MATERIAL		



REGAL-BELOIT CORPORATION

TITLE		OUTLINE	
FORM N-GENERAL PURPOSE MOTOR-DRIP PROOF-SOLID		OR RESIL BASE-BALL OR SLEEVE BEARING	
SIZE	DRAWING	52A101910	REV 12
A			
SCALE: 1.000	REF. No: .	SHEET 1 of 1	