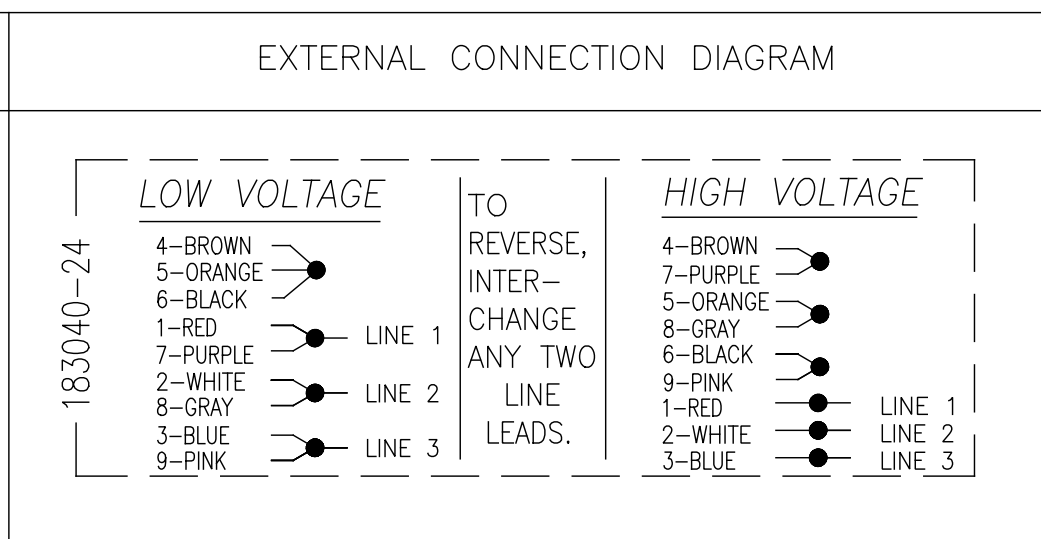
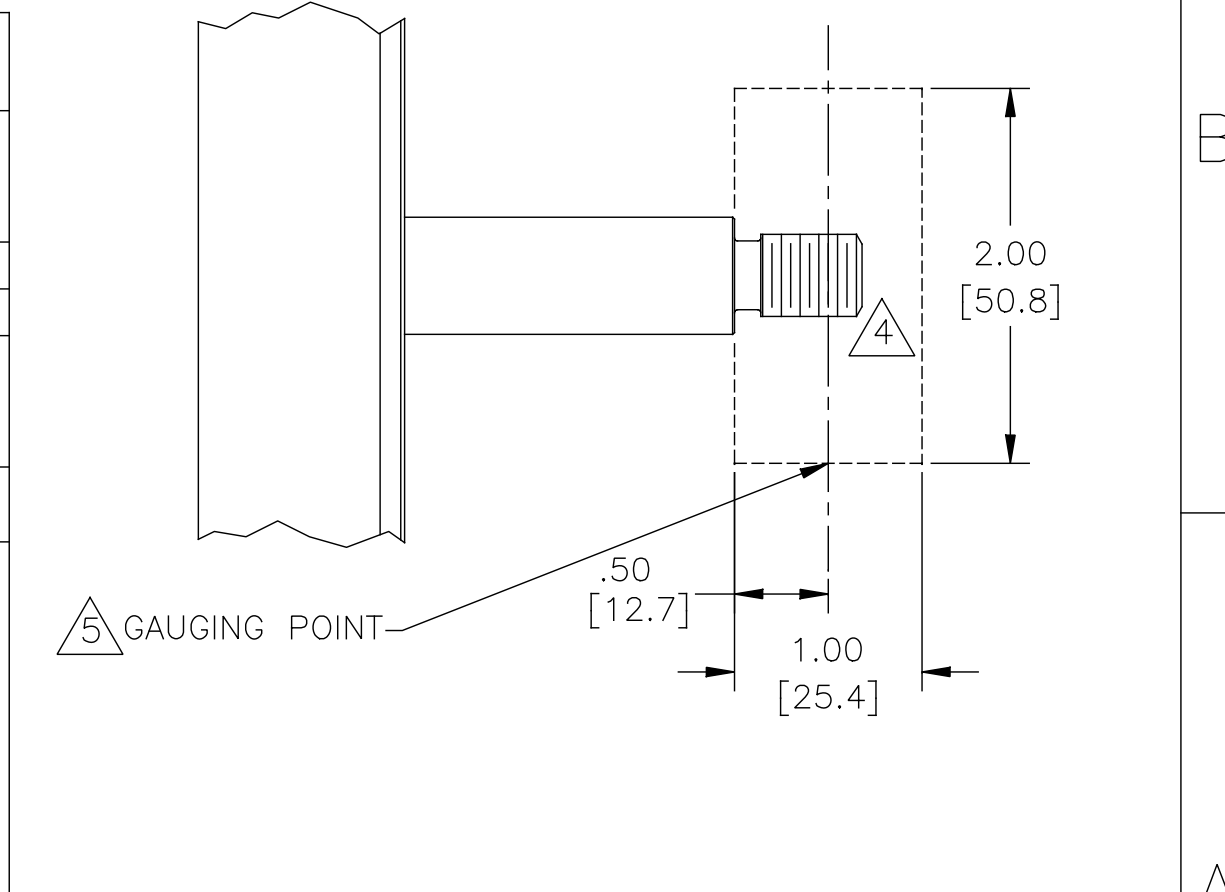


NAMEPLATE DATA
MODEL: H515
CUST. P/N:
HP: 3/4
SF: 1.15
ROT: RCW
RPM: 3450
TYPE: SC
CODE: P
FRAME: J 56 J
VOLTS: 200-230/460
AMPS: 2.6-2.4/1.2
MAX AMPS:
PH: 3
HZ: 60
INS: A
AMB: 40°C
DUTY: CONT



PERFORMANCE CURVE NO.		APPROVED SAMPLE OR REF. MODEL	
16311522			
UL COMPONENT		CSA	
FILE#	CCN#	FILE#	CLASS#
E44549	PRGY2	LR4642	4211-01
ENCLOSURE: TEFC		CUSTOMER: DISTRIBUTION	

- NOTES:
- 1. PILOT DIAMETER IS CONCENTRIC WITH SHAFT CENTERLINE WITHIN .004 T.I.R.
 - 2. FACE OF MOUNTING FLANGE IS PERPENDICULAR TO SHAFT CENTERLINE WITHIN .004 T.I.R.
 - 3. SHAFT RUNOUT NOT TO EXCEED .002 T.I.R.
 - 4. FOR THREADED SHAFT EXT. MATING PARTS SHOULD BE RELIEVED ONE THREAD TO CLEAR FILLET.
 - 5. FOR THREADER SHAFT EXT. ECCENTRICITY OF THREADED PORTION OF SHAFT IS HELD WITHIN .004 TOTAL GAGE READING WITH THE INDICATOR ON O.D. OF GROUND RING AS SHOWN. THE GAGE BEING STATIONARY WITH RESPECT TO THE ROTOR.
 - 6. END PLAY NOT TO EXCEED .010 MEASURED WITH NO THRUST
 - 7. ALL DIMENSIONS SHOWN IN PARENTHESIS ARE REFERENCE DIMENSIONS.



DRAWING REVISION ECO-0100227 APPROVED BY: A.BAUGHMAN DATE: 02-20-2017		REVISION BY: A.BAUGHMAN DATE: 02-20-2017		TOLERANCES UNLESS OTHERWISE SPECIFIED DEC. INCH mm ANGLE .XX ±0.1 [±2.5] ±0.5° .XX ±0.02 [±0.51] .XXX ±0.005 [±0.127] .XXXX ±0.0005 [±0.0127]		DRAWN BY: KHR DATE: 09-02-2005 APPROVED BY:		REGAL™ Regal Beloit America, Inc.			
ECO DESCRIPTION UPDATED TO NEW REGAL TITLEBLOCK				REMOVE BURRS & BREAK SHARP EDGES .003/.015 [.076/.381] X 45° CORNER FILLETS R.02 [.51] MACHINED SURFACES 125/3.2 INCH/mm 3.2		DESCRIPTION MODEL-CFHP-56FR OUTLINE		MATERIAL: - PROCESS/FINISH: -			
COPYRIGHT REGAL BELOIT AMERICA, INC. ALL RIGHTS RESERVED. PROPRIETARY AND CONFIDENTIAL INFORMATION - THIS DOCUMENT IS THE PROPERTY OF REGAL BELOIT AMERICA, INC. (OWNER) AND CONTAINS OWNER'S PROPRIETARY INFORMATION. ANY PERSON, CORPORATION OR OTHER FIRM RECEIVING IT IS DEEMED, BY RECEIVING IT, TO AGREE THAT IT, AND/OR ANY PART OF IT, SHALL NOT BE DISCLOSED TO ANY PERSON, CORPORATION OR OTHER ENTITY, DUPLICATED, AND/OR USED, EXCEPT AS EXPRESSLY APPROVED IN WRITING IN ADVANCE BY OWNER. THIS DOCUMENT SHALL BE RETURNED TO OWNER UPON REQUEST. IT MAY BE SUBJECT TO CERTAIN RESTRICTIONS UNDER APPLICABLE EXPORT CONTROL LAWS AND REGULATIONS.						REFERENCE: -		SIZE DWG NO: C 12682-001		SHEET: 1	