

4

3

2

1

D

C

B

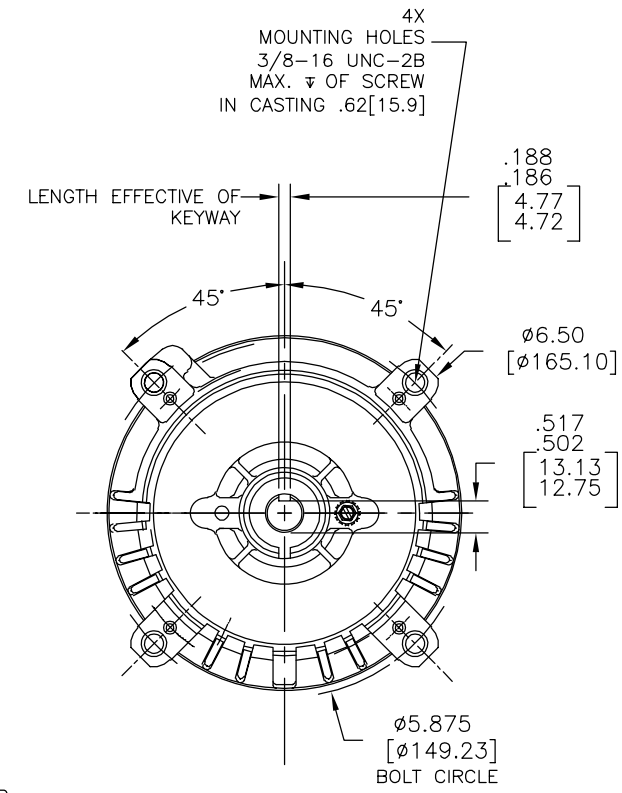
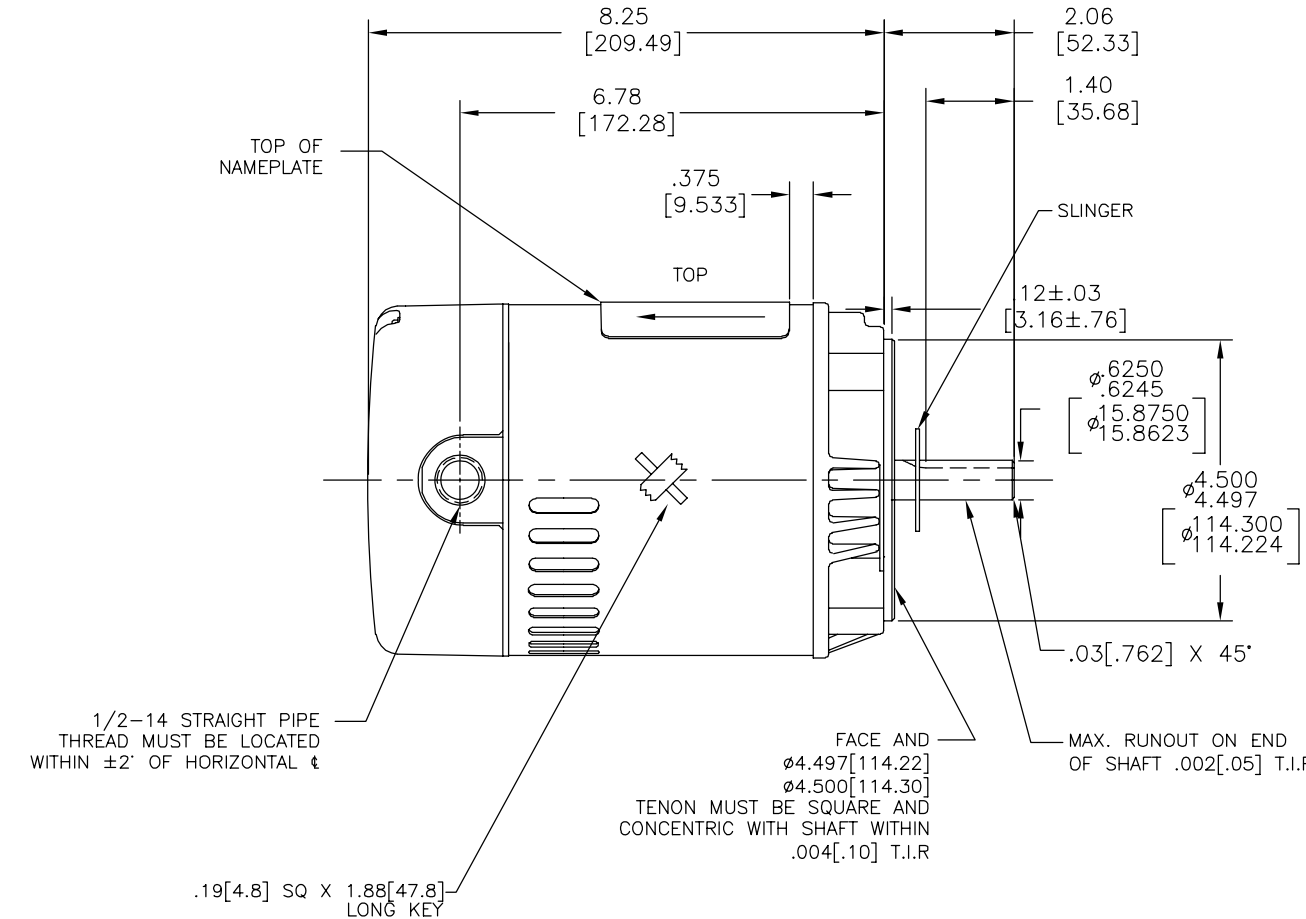
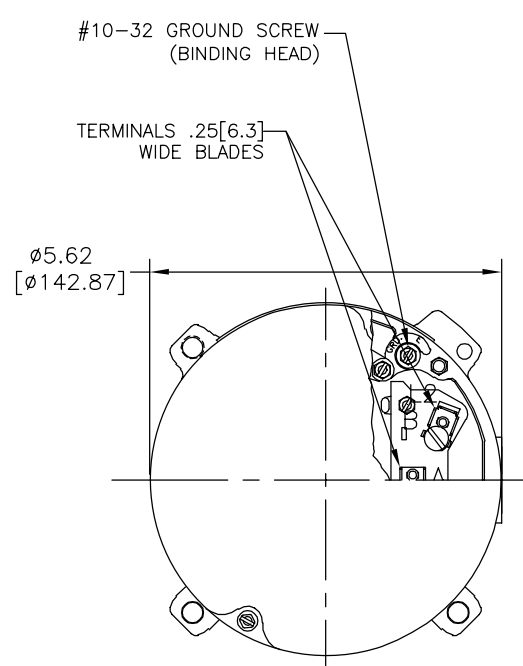
A

D

C

B

A



NAMEPLATE DATA	EXTERNAL CONNECTION DIAGRAM	NOTES
MODEL: C48H2DB5C11 CUST PN: K1032 HP: 1/3 SF: 1.8 ROT: REVERSIBLE RPM: 3450 TYPE: C CODE: M FORM: - FRAME: 56C VOLTS: 115/230 AMPS: MAX AMPS: 8.6/4.3 SF AMPS: - PH: 1 HZ: 60 INS: B AMB: 40° DUTY: CONT ENCLOSURE: ODP THERMALLY PROTECTED :CEP73JX	<p>CONNECTIONS SHOWN ARE FOR C.W. ROTATION FROM END OPP. SHAFT EXT. (STANDARD FOR MOST PUMP APPLICATIONS). FOR C.C.W. ROTATION INTERCHANGE RED &amp; RED TRACER LEADS. ACCEPTABLE FOR FIELD WIRING.</p>	<ol style="list-style-type: none"> <li>FINISH PAINT TO BE SATIN BLACK.</li> <li>.43[11.1] WRENCH FLATS ON SHAFT -FOR ACCESS TO THIS WRENCH FLAT REMOVE END COVER.</li> <li>CARBON STEEL SHAFT EXTENSION</li> <li>LIMITS ON AMPLITUDE OF VIBRATION MEASURED AT BEARING HOUSING = .001.</li> <li>DUAL VOLTAGE MOTORS ARE TO BE CONNECTED FOR HIGH VOLTAGE.</li> <li>MAX END PLAY LESS THAN .005.</li> </ol>

PERFORMANCE CURVE	APPROVED SAMPLE		
C48H2W21			
UL COMPONENT	CSA		
FILE#	CCN#	FILE#	GUIDE#
E46412	PGRY2	LR43341	4211-01
CUSTOMER	DISTRIBUTION SERVICES		

DRAWING REVISION C	REVISION BY E.VILLA	DATE 05-06-2014	TOLERANCES UNLESS OTHERWISE SPECIFIED DEC. INCH mm ANGLE	DRAWN BY: G.GOLDY
ECO ECO-0050519	APPROVED BY J.RUIZ	DATE 05-06-2014	.X ±0.1 [±2.5] ±0.5° .XX ±0.02 [±0.51] .XXX ±0.005 [±0.127] .XXXX ±0.0005 [±0.0127]	DATE: 04-01-2003
ECO DESCRIPTION SEE ECO			REMOVE BURRS & BREAK SHARP EDGES .003[.015] [0.076[.381]] CORNER/FILLETS .02 [1.51] MACHINED SURFACES 125 INCH/mm 3.2 mm SHOWN IN [BRACKETS]	APPROVED BY: -
<small>COPYRIGHT REGAL BELOIT AMERICA, INC. ALL RIGHTS RESERVED. PROPRIETARY AND CONFIDENTIAL INFORMATION - THIS DOCUMENT IS THE PROPERTY OF REGAL BELOIT AMERICA, INC. (OWNER) AND CONTAINS OWNER'S PROPRIETARY INFORMATION. ANY PERSON, CORPORATION OR OTHER FIRM RECEIVING IT IS DEEMED, BY RECEIVING IT, TO AGREE THAT IT, AND/OR ANY PART OF IT, SHALL NOT BE DISCLOSED TO ANY PERSON, CORPORATION OR OTHER ENTITY, DUPLICATED, AND/OR USED, EXCEPT AS EXPRESSLY APPROVED IN WRITING IN ADVANCE BY OWNER. THIS DOCUMENT SHALL BE RETURNED TO OWNER UPON REQUEST. IT MAY BE SUBJECT TO CERTAIN RESTRICTIONS UNDER APPLICABLE EXPORT CONTROL LAWS AND REGULATIONS.</small>			Regal Beloit America, Inc. DESCRIPTION MODEL-PFHP-48FR OUTLINE	
PROCESS/FINISH -		MATERIAL -	THIRD ANGLE PROJECTION	SIZE DWG NO C 12430-008
			SHEET 1	

4

3

2

1