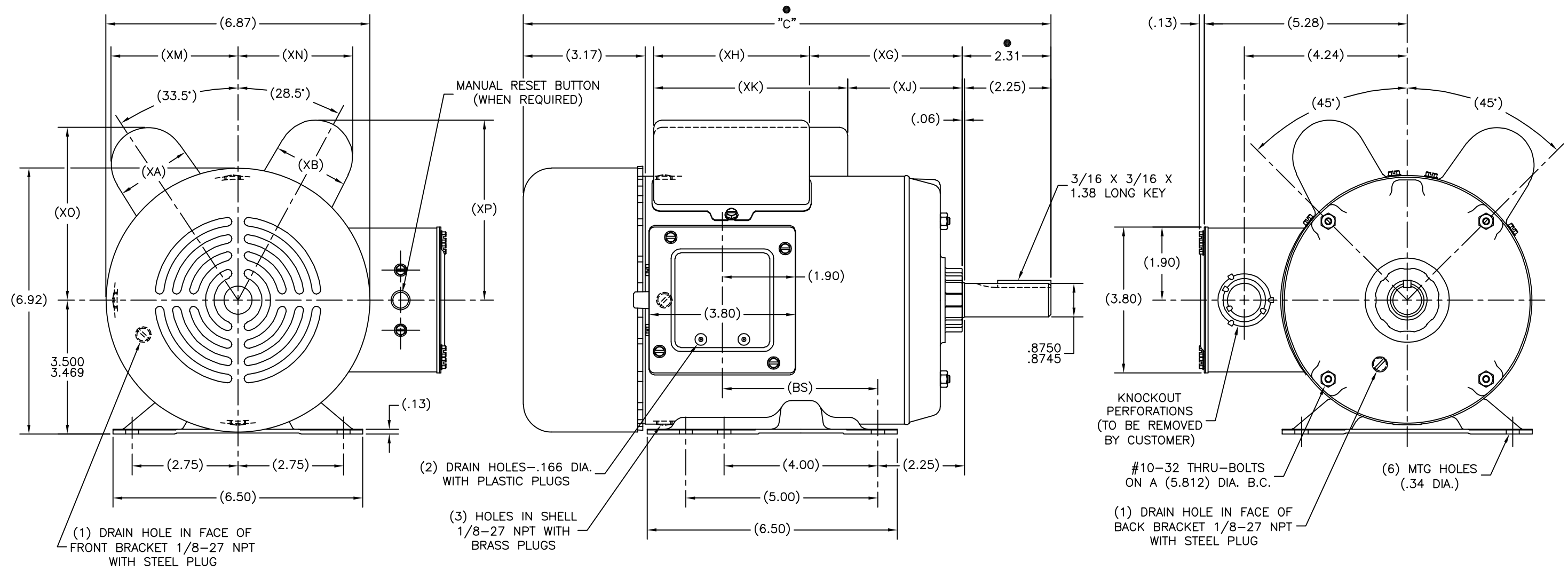


REV	ECO	REV BY	DATE	APPD	DATE
H	0001395	H.Sanchez	10-11-2008	C.Contreras	10-11-2008

ALL DIMENSIONS SHOWN IN PARENTHESIS ARE REFERENCE DIMENSIONS. ALL OTHER DIMENSIONS ARE TOLERANCED PER THE FOLLOWING CHART UNLESS OTHERWISE SPECIFIED.

- "C" DIM. = +/- .055
- SHAFT EXT. = +/- .034
- LEAD LENGTHS = +/- 1.00
- EXTENDED THRU-BOLTS = +/- .050
- ANGULAR DIM. = +/- 2'



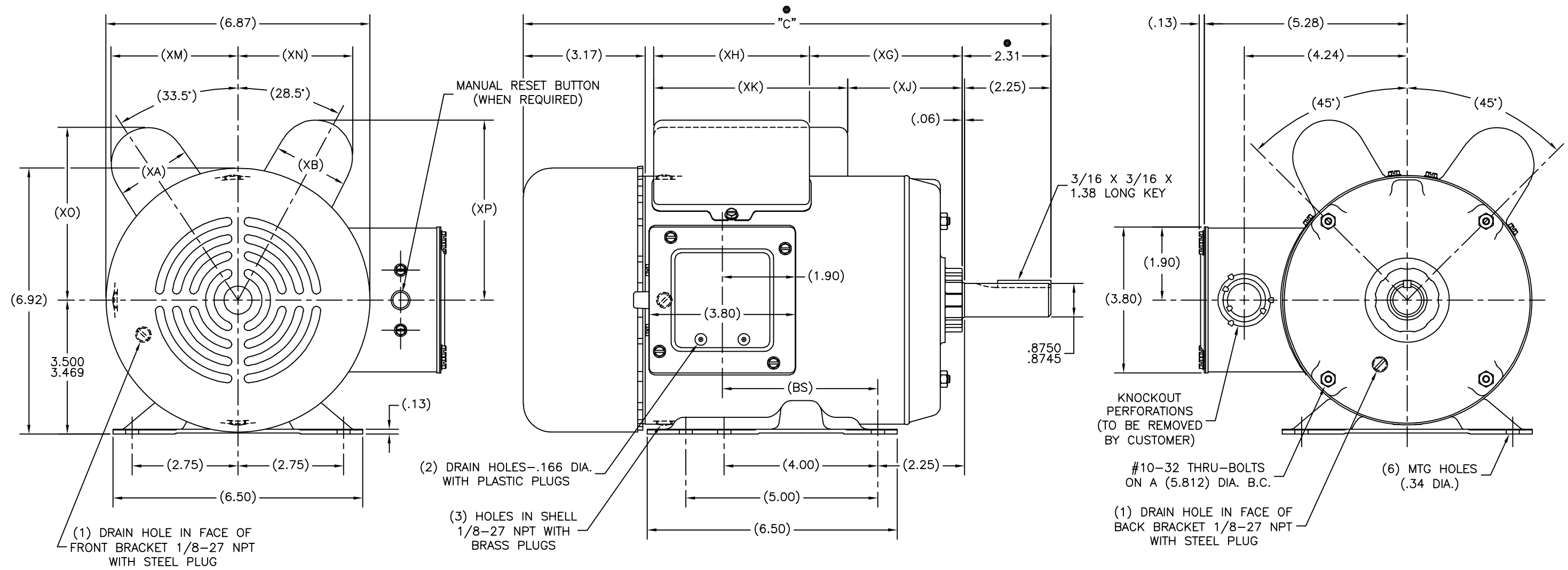
-03														
-02														
-01	CPF	N145T	14.23	4.55	2.01	2.01	3.34	5.06	3.34	5.06	2.48	2.24	3.37	3.52
GROUP	TYPE	FRAME	"C"	(BS)	(XA)	(XB)	(XG)	(XH)	(XJ)	(XK)	(XM)	(XN)	(XO)	(XP)

GEOMETRIC CHARACTERISTICS & SYMBOLS □ FLATNESS — STRAIGHTNESS ∠ ANGULARITY ⊥ PERPENDICULARITY (SQUARENESS) // PARALLELISM ○ ROUNDNESS (CIRCULARITY) Ⓞ ROUNDNESS (CIRCULARITY) Ⓢ CYLINDRICITY ≡ PROFILE OF ANY SURFACE ≡ PROFILE OF ANY LINE Ⓡ RUNOUT ⊕ TRUE POSITION ⊙ CONCENTRICITY = SYMMETRY	UNLESS OTHERWISE SPECIFIED DIM. TOLERANCES ARE AS FOLLOWS: INCH ±.1 ±.02 ±.005 ±.0005 mm ±0.5 ±0.13 ±0.013 ANG. ±.50 DEG REMOVE BURRS & BREAK SHARP EDGES: INCH .003-.015 mm 0.1-0.4 CORNER FILLETS TO: INCH .020 mm 0.5 MACHINE SURFACES: INCH 125 mm 3.2 METRIC DIMS. SHOWN IN [BRACKETS]	DR BY: DML	04-12-1985	AC Smith Innovation has a name. ELECTRICAL PRODUCTS COMPANY A DIVISION OF A. O. SMITH CORPORATION
		APPD: MJS	05-24-1985	
THIRD ANGLE PROJECTION		EDS DATE	EDS DATE	SIZE: D
CONFIDENTIAL: THIS DRAWING AND ITS INFORMATION ARE THE EXCLUSIVE AND CONFIDENTIAL PROPERTY OF A.O. SMITH CORP. AND ARE NOT TO BE DISCLOSED, DUPLICATED, DISTRIBUTED OR OTHERWISE USED WITHOUT THE WRITTEN CONSENT OF A.O. SMITH CORP. -ALL RIGHTS RESERVED. ASME Y14.5M 1994		FORMAT	REV: F	DWG NO: 166651
		SCALE: NONE		SHEET 1

REVISION:	ECO	REVISADO POR:	H.Sanchez	FECHA:	10-11-2008	APROBADO POR:	C.Contreras	FECHA:	10-11-2008
H	0001395								

ALL DIMENSIONS SHOWN IN PARENTHESIS ARE REFERENCE DIMENSIONS. ALL OTHER DIMENSIONS ARE TOLERANCED PER THE FOLLOWING CHART UNLESS OTHERWISE SPECIFIED.

- "C" DIM. = +/- .055
- SHAFT EXT. = +/- .034
- LEAD LENGTHS = +/- 1.00
- EXTENDED THRU-BOLTS = +/- .050
- ANGULAR DIM. = +/- 2'



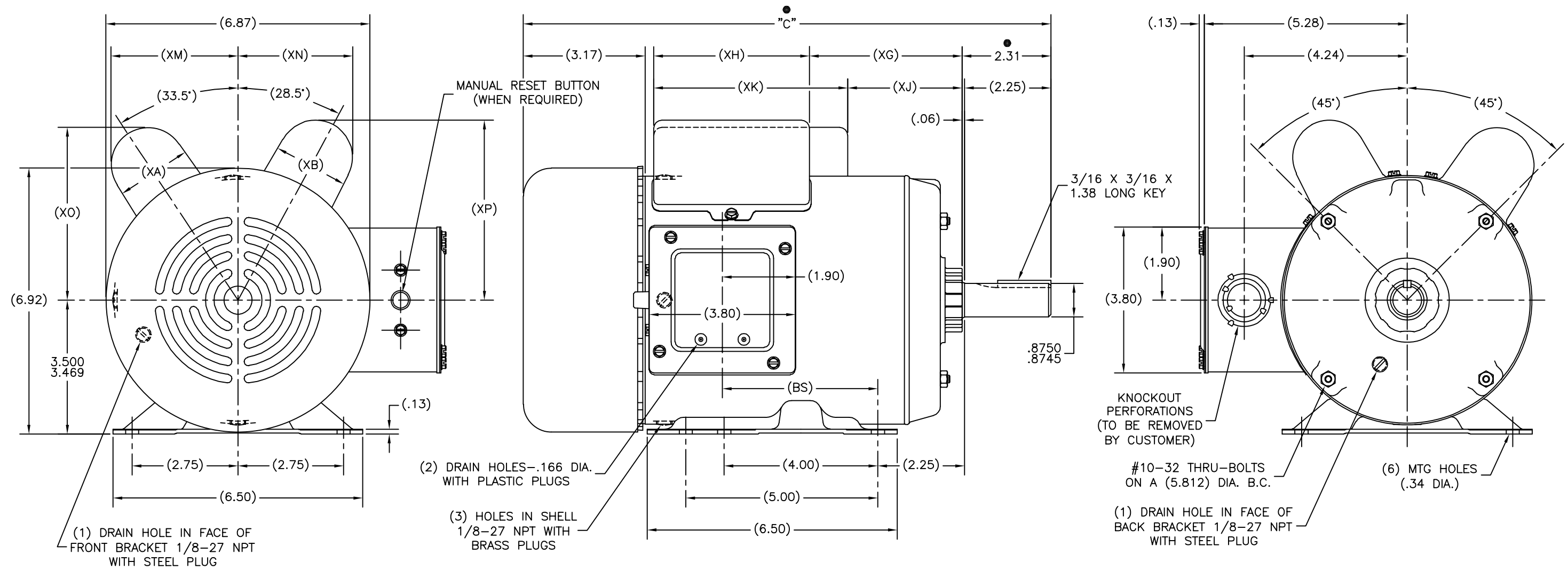
-03															
-02															
-01	CPF	N145T	14.23	4.55	2.01	2.01	3.34	5.06	3.34	5.06	2.48	2.24	3.37	3.52	
GROUP	TYPE	FRAME	"C"	(BS)	(XA)	(XB)	(XG)	(XH)	(XJ)	(XK)	(XM)	(XN)	(XO)	(XP)	

CARACTERISTICAS DE GEOMETRIA Y SIMBOLOS: □ PLANICIDAD — RECTITUD ∠ ANGULARIDAD ⊥ PERPENDICULARIDAD (A ESCUADRA) // PARALELISMO ○ REDONDEZ (CIRCULARIDAD) ⊕ CILINDRICIDAD ⊖ PERFIL DE CUALQUIER SUPERFICIE ∩ PERFIL DE CUALQUIER LINEA ∠ VARIACION ⊕ POSICION REAL ⊙ CONCENTRICIDAD = SIMETRIA	A MENOS QUE SE ESPECIFIQUE DE OTRA MANERA, LAS TOLERANCIAS DE LAS DIMS; SON LAS SIGUIENTES: PULG X XX XXX XXXX mm ±0.5 ±0.13 ±0.013 ELIMINAR REBABAS Y ORILLAS FILOSAS DEL BORDE. PULG .003-.015 mm 0.1-0.4 FILETEAR ESQUINA: PULG .020 mm 0.5 MAQUINAR SUPERFICIES PULG 125 mm 3.2 DIMS METRICAS MOSTRADAS [PARENTESIS]	DIBUJADO POR: DML	04-12-1985	A.O. SMITH INNOVATION HAS A MAMA. ELECTRICAL PRODUCTS COMPANY A DIVISION OF A. O. SMITH CORPORATION
		APROBADO POR: MJS	05-24-1985	
TERCER ANGULO DE PROYECCION		FECHA EDS: EDS DATE REV. FORMATO: F	TAMAÑO: D	NUMERO DE DIBUJO: 166651
CONFIDENCIAL: ESTE DIBUJO Y SU INFORMACION SON PROPIEDAD DE USO EXCLUSIVO Y CONFIDENCIAL DE A.O. SMITH CORP. Y NO DEBERAN SER REVELADOS, DUPLICADOS, DISTRIBUIDOS O USARSE DE OTRA MANERA SIN EL CONSENTIMIENTO ESCRITO DE A.O. SMITH CORP. -TODOS LOS DERECHOS RESERVADOS. ASME Y14.5M 1994		ESCALA: NONE	HOJA: 1	

版本	ECO	编制	日期	批准	日期
H	0001395	H.Sanchez	10-11-2008	C.Contreras	10-11-2008

ALL DIMENSIONS SHOWN IN PARENTHESIS ARE REFERENCE DIMENSIONS. ALL OTHER DIMENSIONS ARE TOLERANCED PER THE FOLLOWING CHART UNLESS OTHERWISE SPECIFIED.

- "C" DIM. = +/- .055
- SHAFT EXT. = +/- .034
- LEAD LENGTHS = +/- 1.00
- EXTENDED THRU-BOLTS = +/- .050
- ANGULAR DIM. = +/- 2'



-03															
-02															
-01	CPF	N145T	14.23	4.55	2.01	2.01	3.34	5.06	3.34	5.06	2.48	2.24	3.37	3.52	
GROUP	TYPE	FRAME	"C"	(BS)	(XA)	(XB)	(XG)	(XH)	(XJ)	(XK)	(XM)	(XN)	(XO)	(XP)	

<p>形位公差 □ 平面度 ⊥ 垂直度 ∠ 倾斜度 // 平行度 ○ 圆度 ⊙ 圆柱度 ⊖ 面轮廓度 ⊕ 线轮廓度 Ⓜ 圆跳动 ⊕ 位置度 ⊕ 同轴度 ⊕ 对称度</p>	<p>除另有注明 尺寸公差如下: 英寸 X XX XXX XXXX 毫米 ±.1 ±.02 ±.005 ±.0005 毫米 ±0.5 ±0.13 ±0.013 角度 ±.50 度 清理毛刺和尖棱 英寸 .003-.015 毫米 0.1-0.4 内圆角 英寸 .020 毫米 0.5 表面粗糙度 英制 125 米制 3.2 米制尺寸显示在 []</p>	<p>绘图: DML 批准: MJS 第三角投影</p>	<p>04-12-1985 05-24-1985 图版格式发布日期 EDS DATE 图版格式版本 F</p>	<p>名称 图幅 D 图号 166651 比例 NONE 页号 1</p>	<p>AC Smith innovation has a name. ELECTRICAL PRODUCTS COMPANY A DIVISION OF A. O. SMITH CORPORATION</p> <p style="text-align: center; font-size: 24px; font-weight: bold;">OUTLINE</p>
---	--	--	--	---	--

ASME Y14.5M 1994