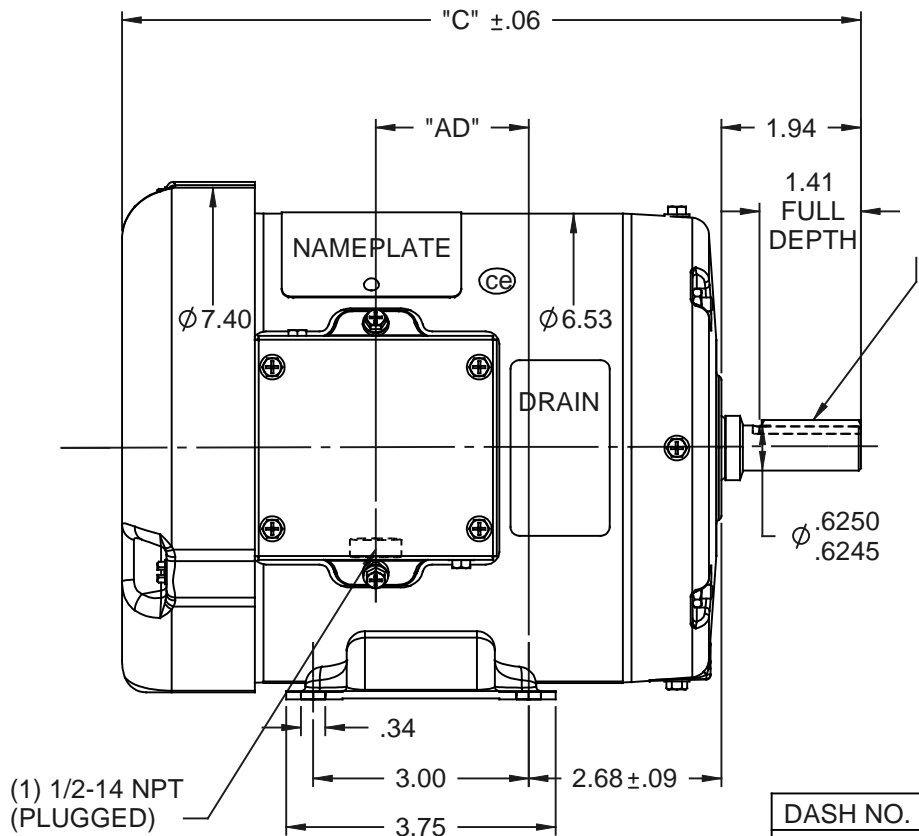
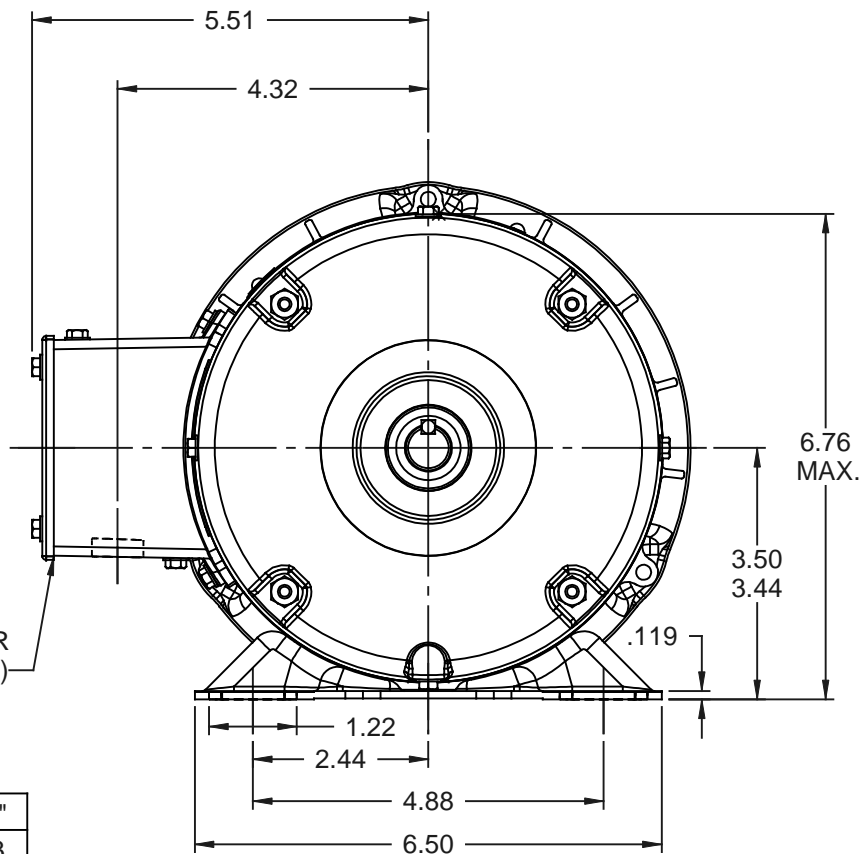


This document is the property of REGAL BELOIT CORPORATION ("RBC") including its subsidiaries and divisions and contains proprietary information of RBC. This document is loaned on the express condition that neither it nor the information contained therein shall be disclosed to others without the express written consent of RBC, and that the information shall be used by the recipient only as approved expressly by RBC. This document shall be returned to RBC upon its request. This document may be subject to certain restrictions under U.S. export control laws and regulations.



.19 SQ. X 1.38 KEY

DECAL-  
CONNECTION  
UNDER COVER  
(WHEN REQ'D.)



DASH NO.	"C"	"AD"
450	9.78	1.63
500	10.28	2.13
550	10.78	2.63
600	11.28	3.13
650	11.78	3.63

**SPECIAL FEATURES**

- 1) SHAFT SEALS & V-RING
- 2) DRAIN HOLES IN BOTH ENDBELLS & CONDUIT BOX
- 3) GASKETS THROUGHOUT
- 4) STAINLESS STEEL SHAFT, HARDWARE, & NAMEPLATE

				TOLERANCES UNLESS SPECIFIED				DRAWN LST 8/11/08	
				DEC	INCHES			CHK	
				.X	±.1			APPR	
				.XX	±.03			SCALE 1:4	
				.XXX	±.005			REF	
				.XXXX	±.0005	MAT'L WASHGUARD		FMF	
NO	REVISION	BY & DATE	CHK	ANG	±1/2°	FINISH		PAGE	OF
				RFP	PREV	SIZE	DRAWING NO		REV
				NETWORK FILE NAME		A	028867		

THIRD ANGLE  
PROJECTION

