

GENERAL INFORMATION:

SHAFT RUNOUT: .001[.03] T.I.R. PER INCH LENGTH OF EXTENSION.

END PLAY: .010[.03] TO .063[1.60]

BEARINGS: SLEEVE

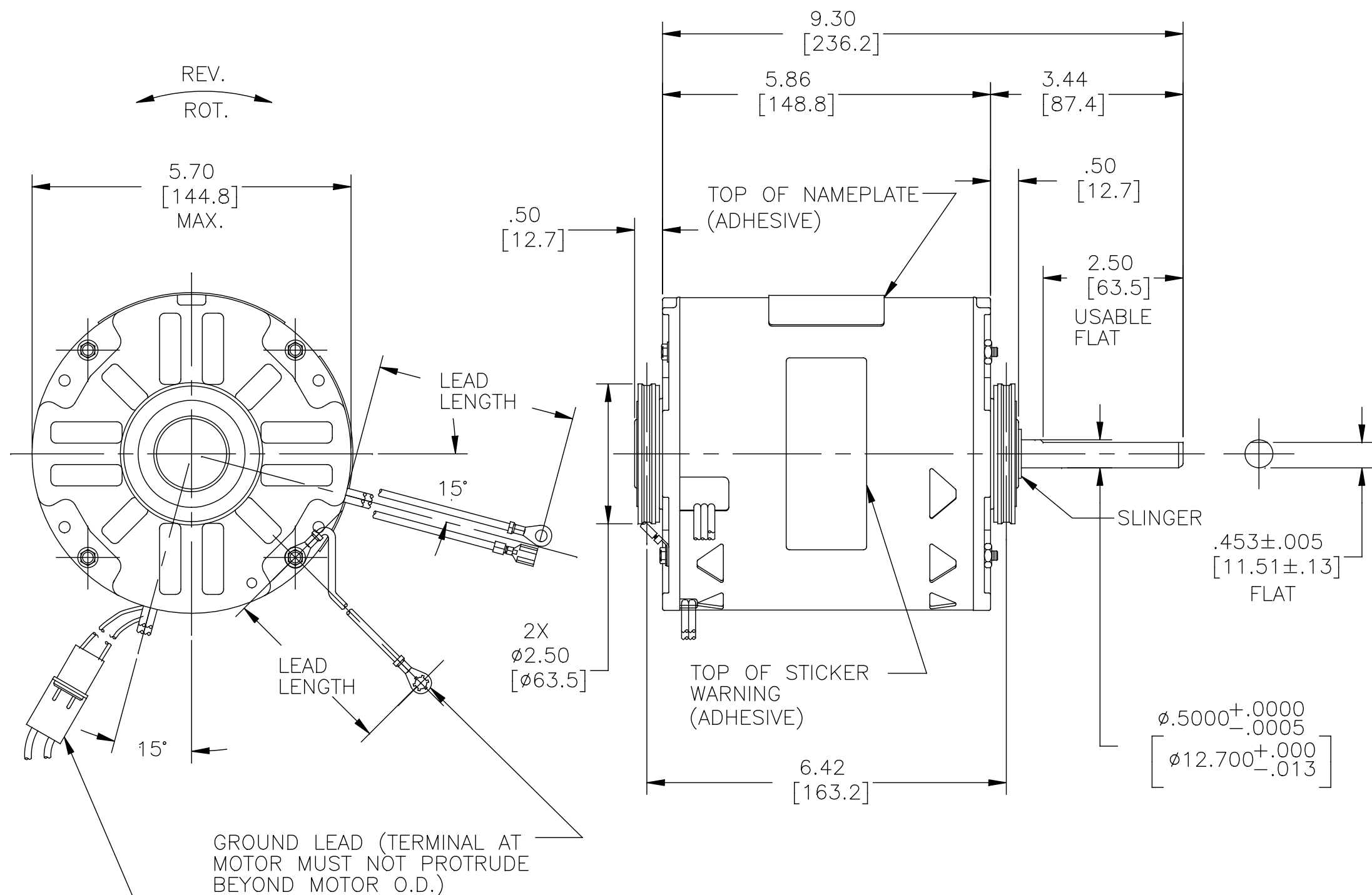
MOUNTING POSITION: HORIZONTAL

ELECTRICAL DATA:

OVERLOAD PROTECTOR: AUTOMATIC RESET (T.I. 7AM 036)

LEADS: NO. 18 GA., .06[1.5] THK., PVC 105°C INSUL.

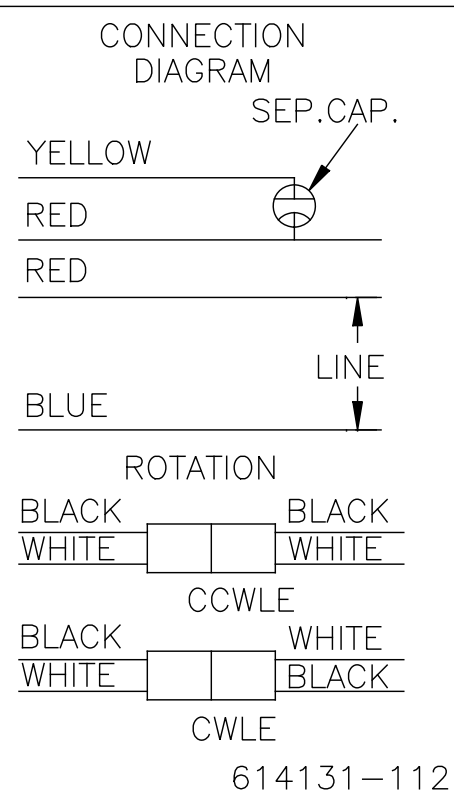
GROUND LEAD: NO. 18 GA., .03[.8] THK., (GREEN) INSUL.



NAMEPLATE DATA:

MODEL NO.: F48D59A01
 CUST. P/N: OLE1038
 HP: 1/3
 ROT.: REVERSIBLE
 RPM: 825
 TYPE: UF
 FRAME: 48Y
 VOLTS: 230
 PH: 1
 AMPS: 2.8 (3.8 MAX)
 HZ: 60
 INS.: B
 AMB.: 40° C
 DUTY: AIR OVER
 CAP.: 4 MFD/370 V
 ENCL: SEMI-ENCL
 CSA LOGO
 UL LOGO
 THERMALLY PROTECTED

EXTERNAL CONNECTION DIAGRAM



GREEN(GRD)	27.0/29.0 [686/737]	#10 EYELET
YELLOW	27.0/29.0 [686/737]	.25[6.4] FEMALE SPADE
RED	27.0/29.0 [686/737]	.25[6.4] FEMALE SPADE
RED	47.0/51.0 [1194/1295]	#10 EYELET
BLUE	47.0/51.0 [1194/1295]	#10 EYELET
COLOR	LENGTH	TERMINAL OR STRIP LENGTH

REGAL-BELOIT CORPORATION (RBC) PROVIDES TECHNICAL ASSISTANCE TO OUR CUSTOMERS IN SEVERAL AREAS. SINCE RBC DOES NOT RECEIVE ALL DATA CONCERNING THE USE AND APPLICATION OF THE MOTOR, THE SUITABILITY OF THE MOTOR FOR THE APPLICATION MUST BE DETERMINED BY THE CUSTOMER.

DIMENSIONS WITHOUT TOLERANCES ARE FOR REFERENCE ONLY.

MAIN FRAME - OLE	SEMI-ENCL
END FRAME - OLE	OPEN
MAIN FRAME - LE	SEMI-ENCL
END FRAME - LE	OPEN

CUSTOMER DISTRIBUTION SERVICES

PERFORMANCE CURVE NO.	TORQUE @ 825 RPM (25°C)	APPROVED SAMPLE	UL COMPONENT FILE #	CCN #	CSA FILE #	CLASS #
C30956	40.5 OZ. FT.	93AC110B	E46412	PRGY2	LR43341	4211-01

DRAWING REVISION B	REVISION BY J. CHAI	DATE 07-04-2016
ECO	APPROVED BY C. ZHANG	DATE 07-04-2016
ECO DESCRIPTION SEE ECO		

COPYRIGHT REGAL-BELOIT AMERICA, INC. ALL RIGHTS RESERVED. PROPRIETARY AND CONFIDENTIAL INFORMATION - THIS DOCUMENT IS THE PROPERTY OF REGAL-BELOIT AMERICA, INC. (OWNER) AND CONTAINS OWNER'S PROPRIETARY INFORMATION. ANY PERSON, CORPORATION OR OTHER FIRM RECEIVING IT IS DEEMED, BY RECEIVING IT, TO AGREE THAT IT, AND/OR ANY PART OF IT, SHALL NOT BE DISCLOSED TO ANY PERSON, CORPORATION OR OTHER ENTITY, DUPLICATED, AND/OR USED, EXCEPT AS EXPRESSLY APPROVED IN WRITING IN ADVANCE BY OWNER. THIS DOCUMENT SHALL BE RETURNED TO OWNER UPON REQUEST. IT MAY BE SUBJECT TO CERTAIN RESTRICTIONS UNDER APPLICABLE EXPORT CONTROL LAWS AND REGULATIONS.

DRAWN BY: B.ZHAO
 DATE: 01-19-2012
 APPROVED BY: B.SHEN
 DATE: 01-19-2012
 PROCESS/FINISH

REGAL™ Regal Beloit America, Inc.

DESCRIPTION: MODEL-RFHP-48FR OUTLINE

MATERIAL: -

THIRD ANGLE PROJECTION

SIZE DWG NO: C OLE1038

SHEET: 1