

4

3

2

1

REV	ECO	REV BY	DATE	APPD	DATE
A	ECO-0037560	R.LIAN	08-28-2013	B.SHEN	08-28-2013

GENERAL INFORMATION:

SHAFT RUNOUT: .001[.03] T.I.R. PER INCH LENGTH OF EXTENSION.

END PLAY: .010[.25] TO .063[1.60]

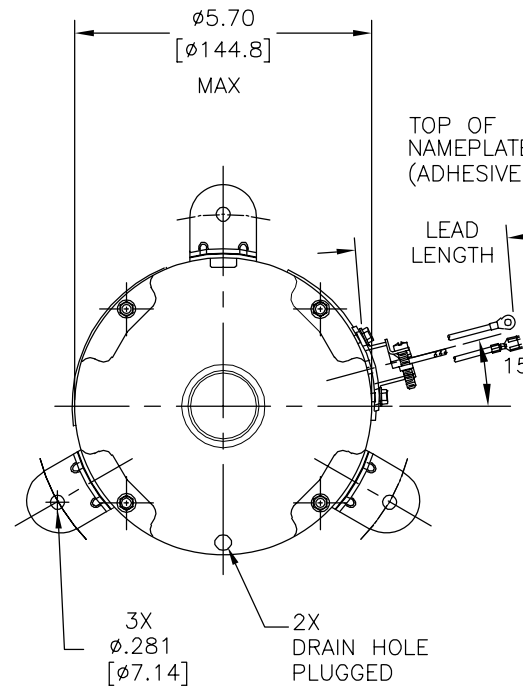
BEARINGS: SLEEVE

MOUNTING POSITION: ALL POSITION

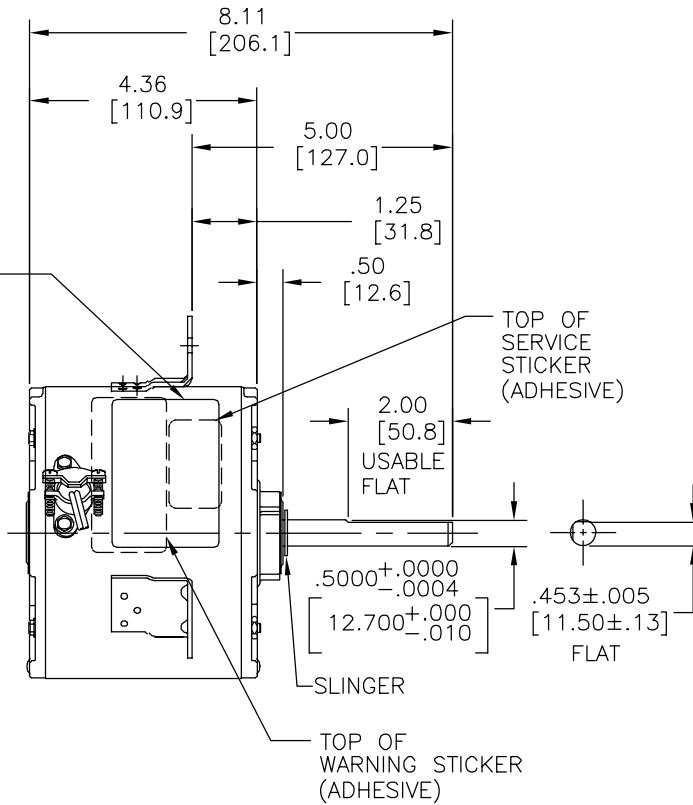
ELECTRICAL DATA:

OVERLOAD PROTECTOR: AUTOMATIC RESET (SENSATA T.I. 7AM 036)

LEADS: NO. 18 GA., .06[1.5] THK. PVC 125°C INSUL.



HOLE LOCATED 120° APART ON A  $\phi 7.250[\phi 184.15]$  B.C.



NAMEPLATE DATA:	EXTERNAL CONNECTION DIAGRAM
MODEL: F48SJ6L15 CUST. P/N: OLG1036 HP: 1/3 ROT: CCWLE RPM: 1075 TYPE: UF FRAME: 48Y VOLTS: 208-230 PH: 1 AMPS: 2.0 (2.6 MAX) HZ: 60 INS: B AMB: 50 °C DUTY: AIR OVER CAP.: 5 MFD/370 V ENCL: ENCLOSED CSA LOGO UL LOGO THERMALLY PROTECTED	
614131-113	

COLOR	LENGTH	TERMINAL OR STRIP LENGTH
YELLOW	30.0/32.0 [762/812]	.25[6.4] FEMALE SPADE
RED	36.0/38.0 [914/965]	#10 EYELET
BLACK	36.0/38.0 [914/965]	#10 EYELET
LEAD DATA		

MAIN FR.-OLE	ENCLOSED
END FR.-OLE	ENCLOSED
MAIN FR.-LE	ENCLOSED
END FR.-LE	ENCLOSED
ENCLOSURE	

CUST.	DISTRIBUTION SERVICES
-------	-----------------------

PERFORMANCE CURVE NO.	TORQUE @ 1075 RPM(25°C)	APPROVED SAMPLE	UL COMPONENT FILE#	CCN#	CSA FILE#	CLASS#
C23832	30.4 OZ. FT.	EX11891	E46412	PRGY2	LR43341	4211-01

GEOMETRIC CHARACTERISTICS & SYMBOLS  
 □ FLATNESS  
 — STRAIGHTNESS  
 ∠ ANGULARITY  
 ⊥ PERPENDICULARITY (SQUARENESS)  
 ∥ PARALLELISM  
 ○ ROUNDNESS (CIRCULARITY)  
 ∅ CYLINDRICITY  
 △ PROFILE OF ANY SURFACE  
 ∩ PROFILE OF ANY LINE  
 ↗ RUNOUT  
 ⊕ TRUE POSITION  
 ⊙ CONCENTRICITY  
 = SYMMETRY  
 ASME Y14.5M 1994

REGAL-BELOIT CORPORATION (RBC) PROVIDES TECHNICAL ASSISTANCE TO OUR CUSTOMERS IN SEVERAL AREAS. SINCE RBC DOES NOT RECEIVE ALL DATA CONCERNING THE USE AND APPLICATION OF THE MOTOR, THE SUITABILITY OF THE MOTOR FOR THE APPLICATION MUST BE DETERMINED BY THE CUSTOMER.  
 DIMENSIONS WITHOUT TOLERANCES ARE FOR REFERENCE ONLY.

DR BY: R.LIAN 08-28-2013  
 APPD: B.SHEN 08-28-2013  
 THIRD ANGLE PROJECTION  
 EDS DATE 11-11-2011  
 FORMAT REV H  
 CONFIDENTIAL: THIS DRAWING AND ITS INFORMATION ARE THE EXCLUSIVE AND CONFIDENTIAL PROPERTY OF REGAL-BELOIT CORPORATION AND ARE NOT TO BE DISCLOSED, DUPLICATED, DISTRIBUTED OR OTHERWISE USED WITHOUT THE WRITTEN CONSENT OF REGAL-BELOIT CORPORATION. -ALL RIGHTS RESERVED.



DESCRIPTION	
MODEL-RFHP-48FR OUTLINE	
SIZE C	DWG NO OLG1036
SCALE NONE	SHEET 1

4

3

2

1