

4

3

2

1

GENERAL INFORMATION:

SHAFT RUNOUT: .001[.03] T.I.R. PER INCH LENGTH OF EXTENSION.
 BEARINGS: BALL
 MOUNTING POSITION: VERTICAL SHAFT-UP

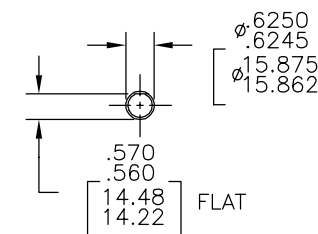
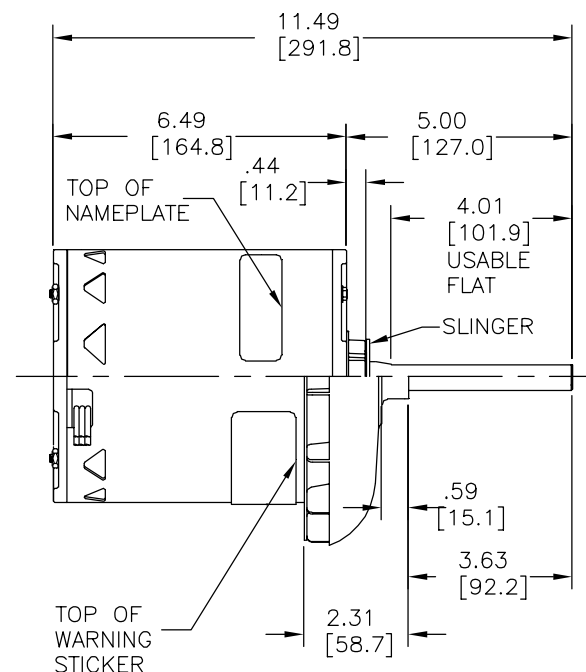
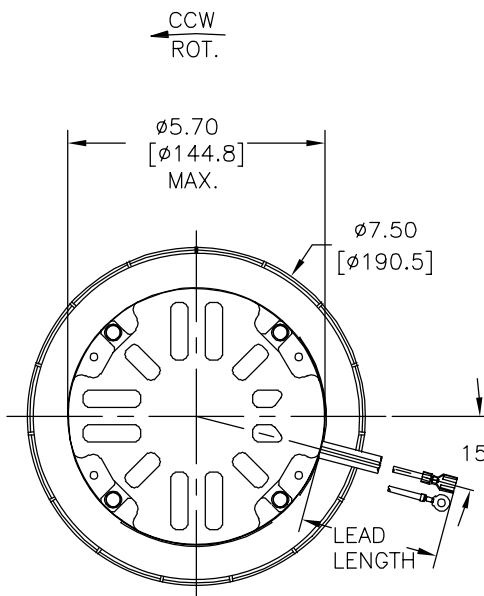
ELECTRICAL DATA:

OVERLOAD PROTECTOR: AUTOMATIC RESET (T.I. 7AM 036)
 LEADS: NO. 16 GA., .06[1.5] THK., 105°C XLP INSUL.

NOTES:

1. DISTRIBUTION: CUST. P/N: OLE1106H
 GRAINGER: CUST. P/N: 4UY52

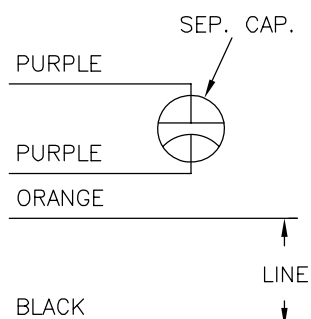
| REV | ECO | REV BY | DATE | APPD | DATE |
|-----|---------|-----------|------------|----------|------------|
| F | 0025556 | F. MORENO | 05-02-2012 | M. AVILA | 05-02-2012 |



NAMEPLATE DATA:

MODEL NO.: F48V05A01
 CUST. P/N: []
 HP: 1.00
 ROT: CCWLE
 RPM: 1075
 TYPE: UF
 FRAME: 48Y
 VOLTS: 460
 PH: 1
 AMPS: 2.9
 HZ: 60
 INS: B
 AMB: 60°C
 DUTY: AIR OVER
 ENCL.: SEMI-ENCLOSED
 CAP.: 15 MFD/370 V
 UL & CSA LOGO
 THERMALLY PROTECTED

EXTERNAL CONNECTION DIAGRAM



614131-036

| | | |
|--------|-----------------------|------------------|
| PURPLE | 68.0/71.0 [1727/1803] | .25 FEMALE SPADE |
| PURPLE | 68.0/71.0 [1727/1803] | .25 FEMALE SPADE |
| BLACK | 77.0/80.0 [1956/2032] | #10 EYELET |
| ORANGE | 77.0/80.0 [1956/2032] | #10 EYELET |

| COLOR | LENGTH | TERMINAL OR STRIP LENGTH |
|--------|-----------------------|--------------------------|
| PURPLE | 68.0/71.0 [1727/1803] | .25 FEMALE SPADE |
| PURPLE | 68.0/71.0 [1727/1803] | .25 FEMALE SPADE |
| BLACK | 77.0/80.0 [1956/2032] | #10 EYELET |
| ORANGE | 77.0/80.0 [1956/2032] | #10 EYELET |

LEAD DATA

| | |
|------------------|----------|
| MAIN FRAME - OLE | ENCLOSED |
| END FRAME - OLE | OPEN |
| MAIN FRAME - LE | OPEN |
| END FRAME - LE | OPEN |

| | |
|-------|----------------------|
| CUST. | DISTRIBUTION SERVICE |
|-------|----------------------|

| PERFORMANCE CURVE NO. | TORQUE @1075 RPM (25°C) | APPROVED SAMPLE | UL COMPONENT FILE # | CCN # | CSA FILE # | CLASS # |
|-----------------------|-------------------------|-----------------|---------------------|-------|------------|---------|
| C32287 | 89.0 OZ. FT. | 0442971B | E46412 | PRGY2 | LR43341 | 4211-01 |

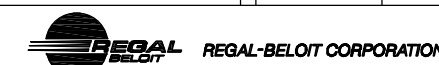
GEOMETRIC CHARACTERISTICS & SYMBOLS
 □ FLATNESS
 - STRAIGHTNESS
 < ANGLARITY
 ⊥ PERPENDICULARITY (SQUARENESS)
 // PARALLELISM
 ○ ROUNDNESS (CIRCULARITY)
 ∅ CYLINDRICITY
 △ PROFILE OF ANY SURFACE
 ∇ PROFILE OF ANY LINE
 ↗ RUNOUT
 ⊕ TRUE POSITION
 ⊙ CONCENTRICITY
 = SYMMETRY
 ASME Y14.5M 1994

REGAL-BELOIT CORPORATION (RBC) PROVIDES TECHNICAL ASSISTANCE TO OUR CUSTOMERS IN SEVERAL AREAS. SINCE RBC DOES NOT RECEIVE ALL DATA CONCERNING THE USE AND APPLICATION OF THE MOTOR, THE SUITABILITY OF THE MOTOR FOR THE APPLICATION MUST BE DETERMINED BY THE CUSTOMER.

DIMENSIONS WITHOUT TOLERANCES ARE FOR REFERENCE ONLY.

| | | |
|------------------------|-------------|-------------------------------------|
| DR BY: | J. WILLIAMS | 09-15-2004 |
| APPD: | T. RILEY | .09-17-2004 |
| THIRD ANGLE PROJECTION | | EDS DATE 11-11-2011 FORMAT REV G |

CONFIDENTIAL: THIS DRAWING AND ITS INFORMATION ARE THE EXCLUSIVE AND CONFIDENTIAL PROPERTY OF REGAL-BELOIT CORPORATION AND ARE NOT TO BE DISCLOSED, DUPLICATED, DISTRIBUTED OR OTHERWISE USED WITHOUT THE WRITTEN CONSENT OF REGAL-BELOIT CORPORATION. -ALL RIGHTS RESERVED.



| | | |
|-------------|----------------------------|------------------|
| DESCRIPTION | MODEL-RFHP-48FR OUTLINE | |
| SIZE | C | DWG NO 11702-024 |
| SCALE | NONE | SHEET 1 |

4

3

2

1

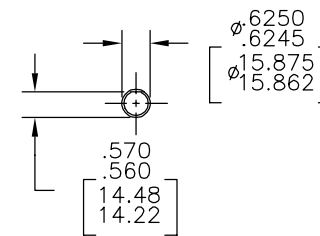
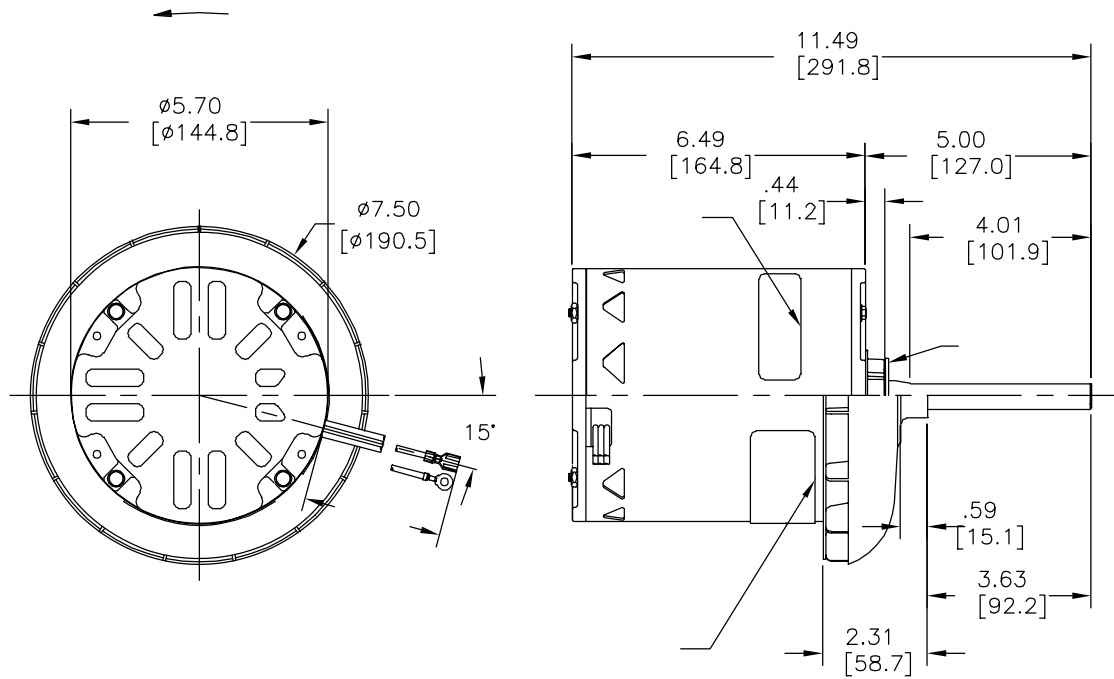
4

3

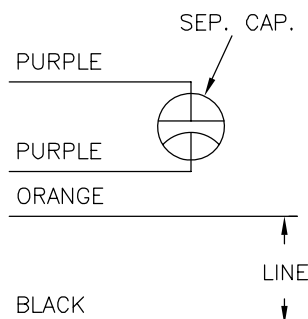
2

1

| | | | | | |
|-----------|---------|---------------|------------|---------------|------------|
| REVISION: | ECO | REVISADO POR: | FECHA: | APROBADO POR: | FECHA: |
| F | 0025556 | F. MORENO | 05-02-2012 | M. AVILA | 05-02-2012 |



MODEL NO.: F48V05A01
 CUST. P/N: []
 HP: 1.00
 ROT: CCWLE
 RPM: 1075
 TYPE: UF
 FRAME: 48Y
 VOLTS: 460
 PH: 1
 AMPS: 2.9
 HZ: 60
 INS: B
 AMB: 60°C
 DUTY: AIR OVER
 ENCL.: SEMI-ENCLOSED
 CAP.: 15 MFD/370 V
 UL & CSA LOGO
 THERMALLY PROTECTED



614131-036

| | | |
|--|--------------------------|--------------|
| | 68.0/71.0 [1727/1803] | .25 [6.4] |
| | 68.0/71.0 [1727/1803] | .25 [6.4] |
| | 77.0/80.0 [1956/2032] | |
| | 77.0/80.0 [1956/2032] | |

| | | | | | |
|--------|--------------|----------|--------|-------|-----------------|
| | | | | | CSA |
| C32287 | 89.0 OZ. FT. | 0442971B | E46412 | PRGY2 | LR43341 4211-01 |

CARACTERISTICAS DE GEOMETRIA Y SIMBOLOS
 □ PLANICIDAD
 — RECTITUD
 < ANGULARIDAD
 ⊥ PERPENDICULARIDAD (A ESCUADRA)
 // PARALELISMO
 ○ REDONDEZ (CIRCULARIDAD)
 ∅ CILINDRICIDAD
 △ PERFIL DE CUALQUIER SUPERFICIE
 ∩ PERFIL DE CUALQUIER LINEA
 ↗ VARIACION
 ⊕ POSICION REAL
 ⊙ CONCENTRICIDAD
 = SIMETRIA
 ASME Y14.5M 1994

REGAL-BELOIT CORPORATION (RBC)
 PROVEE ASISTENCIA TECNICA A
 NUESTROS CLIENTES EN VARIAS AREAS.
 DESDE QUE RBC NO RECIBE TODOS
 LOS DATOS EN RELACION AL USO Y A
 LA APLICACION DEL MOTOR, LA
 APLICACION ADECUADA DEL MOTOR
 DEBE SER DETERMINADA POR EL
 CLIENTE.

DIMENSIONES SIN TOLERANCIA SON
 DE REFERENCIA SOLAMENTE

DIBUJADO POR:
 J. WILLIAMS

09-15-2004

APROBADO POR:
 T. RILEY

.09-17-2004

TERCER ANGULO
 DE PROYECCION



FECHA EDS: 11-11-2011
 REV. FORMATO: G

CONFIDENCIAL: ESTE DIBUJO Y SU INFORMACION
 SON PROPIEDAD DE USO EXCLUSIVO Y CONFIDENCIAL DE
 REGAL-BELOIT CORPORATION. Y NO DEBERAN SER REVELADOS,
 DUPLICADOS, DISTRIBUIDOS O USARSE DE OTRA MANERA
 SIN EL CONSENTIMIENTO ESCRITO DE REGAL-BELOIT
 CORPORATION. -TODOS LOS DERECHOS RESERVADOS.



DESCRIPCION:

MODEL-RFHP-48FR
 OUTLINE

TAMAÑO: C

NUMERO DE DIBUJO:
 11702-024

ESCALA: NONE

HOJA: 1

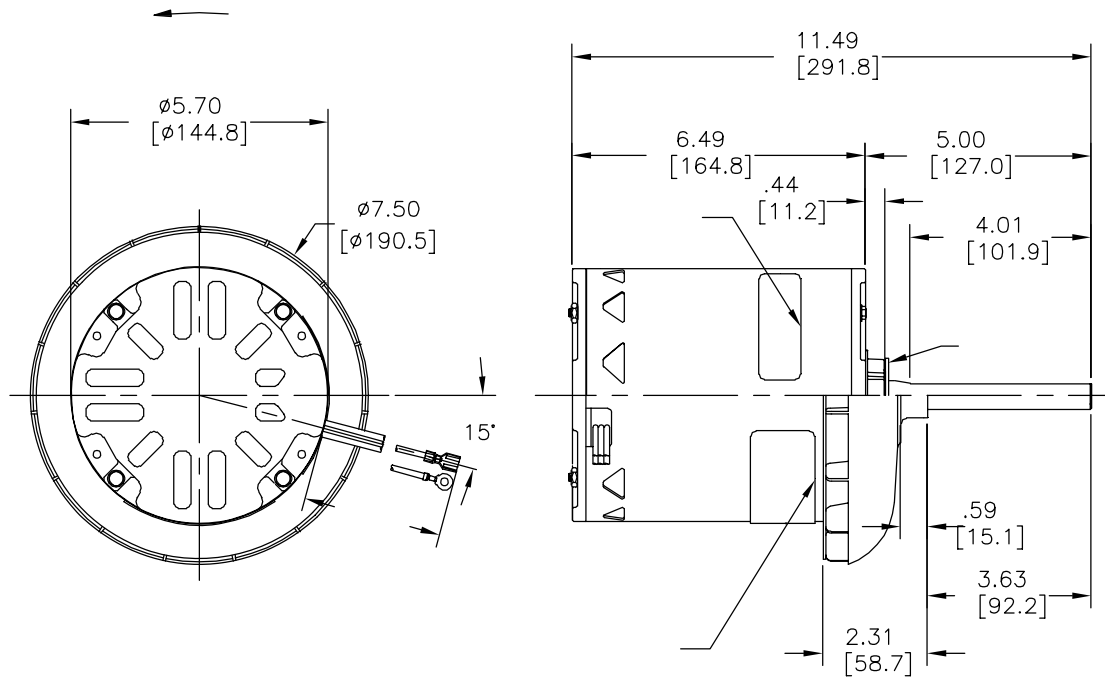
4

3

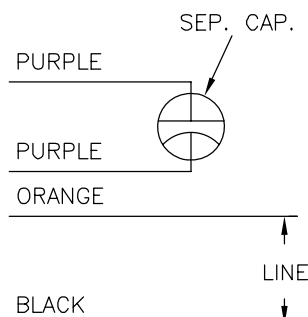
2

1

| | | | | | |
|----|---------|-----------|------------|----------|------------|
| 版本 | ECO | 编制 | 日期 | 批准 | 日期 |
| F | 0025556 | F. MORENO | 05-02-2012 | M. AVILA | 05-02-2012 |



MODEL NO.: F48V05A01
 CUST. P/N: []
 HP: 1.00
 ROT: CCWLE
 RPM: 1075
 TYPE: UF
 FRAME: 48Y
 VOLTS: 460
 PH: 1
 AMPS: 2.9
 HZ: 60
 INS: B
 AMB: 60°C
 DUTY: AIR OVER
 ENCL.: SEMI-ENCLOSED
 CAP.: 15 MFD/370 V
 UL & CSA LOGO
 THERMALLY PROTECTED



614131-036

| | | |
|--|--------------------------|--------------|
| | 68.0/71.0 [1727/1803] | .25 [6.4] |
| | 68.0/71.0 [1727/1803] | .25 [6.4] |
| | 77.0/80.0 [1956/2032] | |
| | 77.0/80.0 [1956/2032] | |

| | | | | | |
|--------|--------------|----------|--------|-------|-----------------|
| | | | | | CSA |
| C32287 | 89.0 OZ. FT. | 0442971B | E46412 | PRGY2 | LR43341 4211-01 |

- 形位公差
- 平面度
- 直线度
- ∠ 倾斜度
- ⊥ 垂直度
- // 平行度
- 圆度
- ⊘ 圆柱度
- △ 面轮廓度
- ∩ 线轮廓度
- ↗ 圆跳动
- ⊕ 位置度
- ⊙ 同轴度
- ≡ 对称度

ASME Y14.5M 1994

REGAL-BELOIT CORPORATION (RBC) 在个别领域为客户提供技术支持。鉴于RBC未收到任何涉及电机使用和应用环境的数据，电机的适用性由客户自己决定。

未注公差尺寸仅供参考。

| | | |
|---|-------------|---------------------------------|
| 绘图: | J. WILLIAMS | 09-15-2004 |
| 批准: | T. RILEY | .09-17-2004 |
| 第三角投影 | | 图纸格式发布日期 11-11-2011 图纸格式版本 G |
| 机密: 本图纸及相关信息所有权归REGAL-BELOIT CORPORATION。未经REGAL-BELOIT CORPORATION书面授权, 不得泄露、复制、传播或作其他用途。—版权所有 | | |



| | | |
|----|----------------------------|--------------|
| 名称 | MODEL-RFHP-48FR OUTLINE | |
| 图幅 | C | 图号 11702-024 |
| 比例 | NONE | 页号 1 |