

4

3

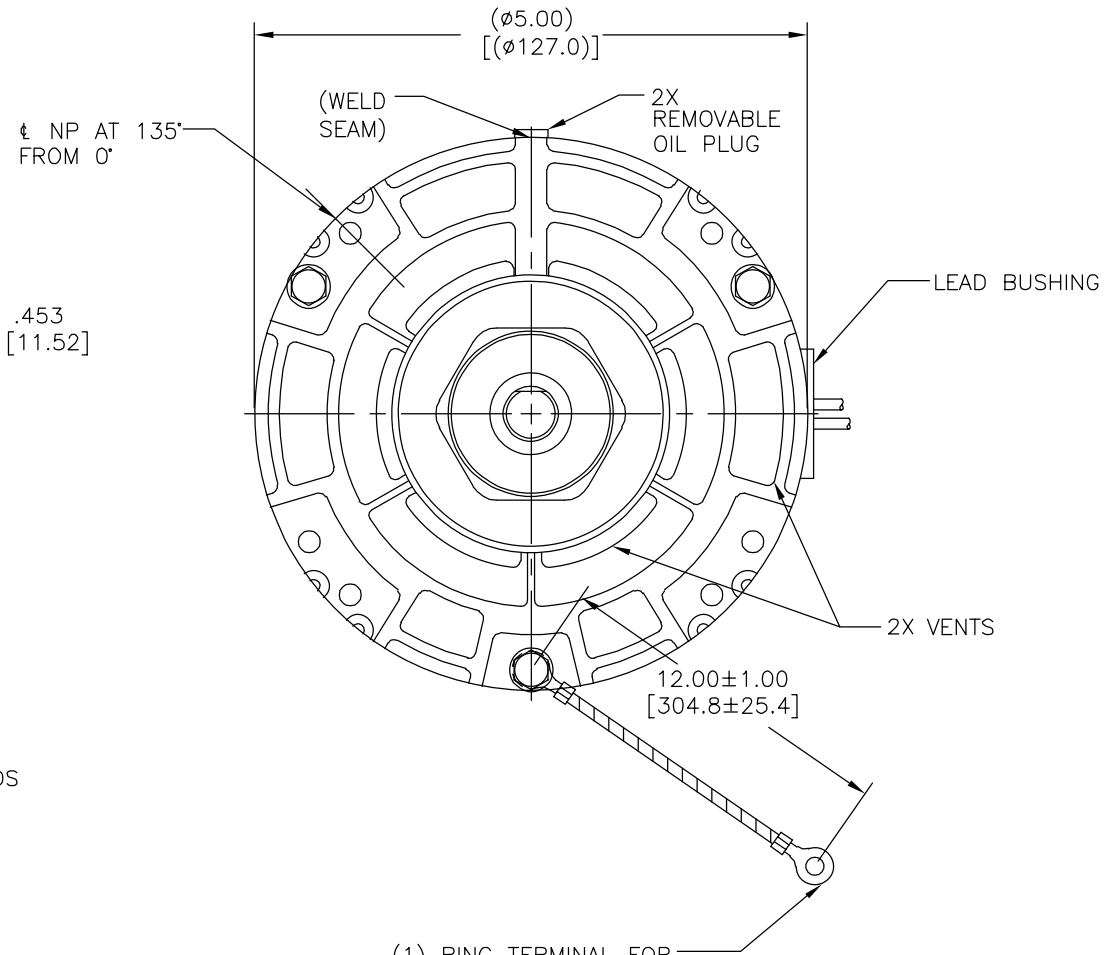
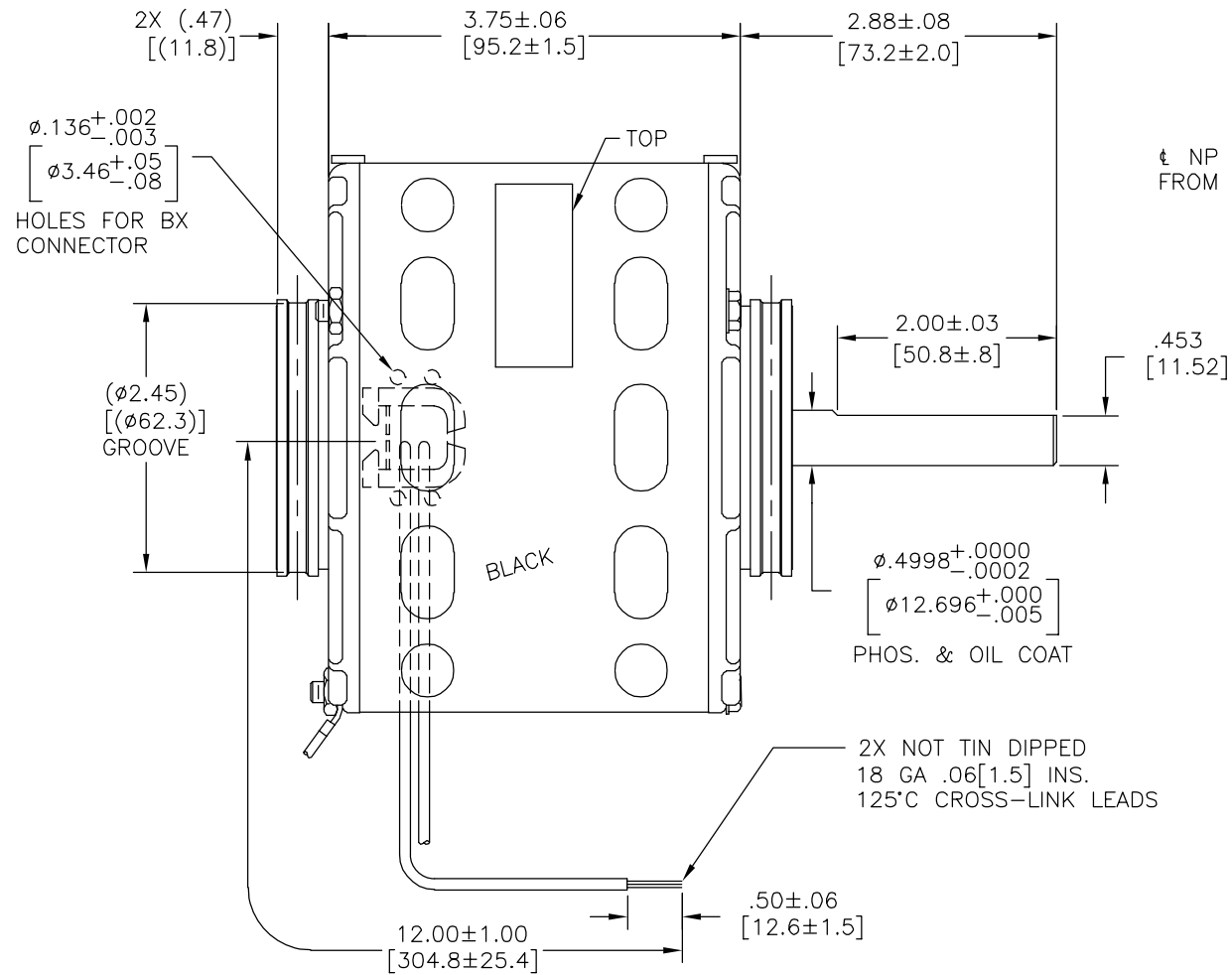
2

1

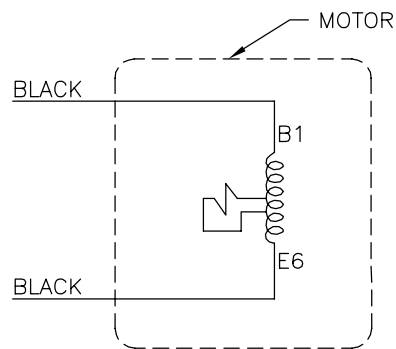
CUSTOMER IS SOLELY RESPONSIBLE FOR MOTOR PERFORMANCE AND SUITABILITY IN APPLICATIONS FOR CUSTOMER'S USE

REV	ECO	REV BY	DATE	APPD	DATE
E	0029021	E.SINECIO	10-18-2012	G.ALVIDREZ	10-18-2012

ENDPLAY .005[.13] MIN-.040[1.02] MAX
 MAXIMUM SHAFT RUN OUT .001[.03] PER INCH
 MAXIMUM RUN OUT NOT TO EXCEED .010[.25]



NOTE:
 1. DISTRIBUTION PART NUMBER: 9646
 GRAINGER PART NUMBER: 4KA49



SCHEMATIC-283

ROT:-CCWLE-CWSE

NAMEPLATE DATA:



TIPP CITY, OHIO
 THERMALLY PROTECTED



SER. DATE & PO# PLT LTR MOD DA3F172N"
 VOLTS 115 HZ 60 AMPS 4.2
 RPM 1050 SP PH 1 CAP
 INS CLB AMB40°C HP 1/8 CONT AO ←ROTATION→
 BRG SLV ASSEMBLED IN MEXICO

GEOMETRIC CHARACTERISTICS & SYMBOLS

- FLATNESS
- STRAIGHTNESS
- ∠ ANGULARITY
- ⊥ PERPENDICULARITY (SQUARENESS)
- ∥ PARALLELISM
- ROUNDNESS (CIRCULARITY)
- ⊘ CYLINDRICITY
- △ PROFILE OF ANY SURFACE
- ∩ PROFILE OF ANY LINE
- ↗ RUNOUT
- ⊕ TRUE POSITION
- ◎ CONCENTRICITY
- ≡ SYMMETRY

ASME Y14.5M 1994

UNLESS OTHERWISE SPECIFIED DIM. TOLERANCES ARE AS FOLLOWS:

INCH	X	XX	XXX	XXXX
	±.1	±.02	±.005	±.0005
mm	±0.5	±0.13	±0.013	

ANG. ±.50 DEG
 REMOVE BURRS & BREAK SHARP EDGES:
 INCH .003-.015 mm 0.1-0.4
 CORNER FILLETS TO:
 INCH .020 mm 0.5
 MACHINE SURFACES:
 INCH 125 mm 3.2

METRIC DIMS. SHOWN IN [BRACKETS]

DR BY:	J.RUPERT	05-19-2004
APPD:		
THIRD ANGLE PROJECTION	EDS DATE 11-11-2011	FORMAT REV H
CONFIDENTIAL: THIS DRAWING AND ITS INFORMATION ARE THE EXCLUSIVE AND CONFIDENTIAL PROPERTY OF REGAL-BELOIT CORPORATION AND ARE NOT TO BE DISCLOSED, DUPLICATED, DISTRIBUTED OR OTHERWISE USED WITHOUT THE WRITTEN CONSENT OF REGAL-BELOIT CORPORATION. -ALL RIGHTS RESERVED.		

REGAL REGAL-BELOIT CORPORATION	
DESCRIPTION	MODEL-RFHP-42FR OUTLINE
SIZE	C
DWG NO	DA3F7172
SCALE	NONE
SHEET	1

4

3

2

1

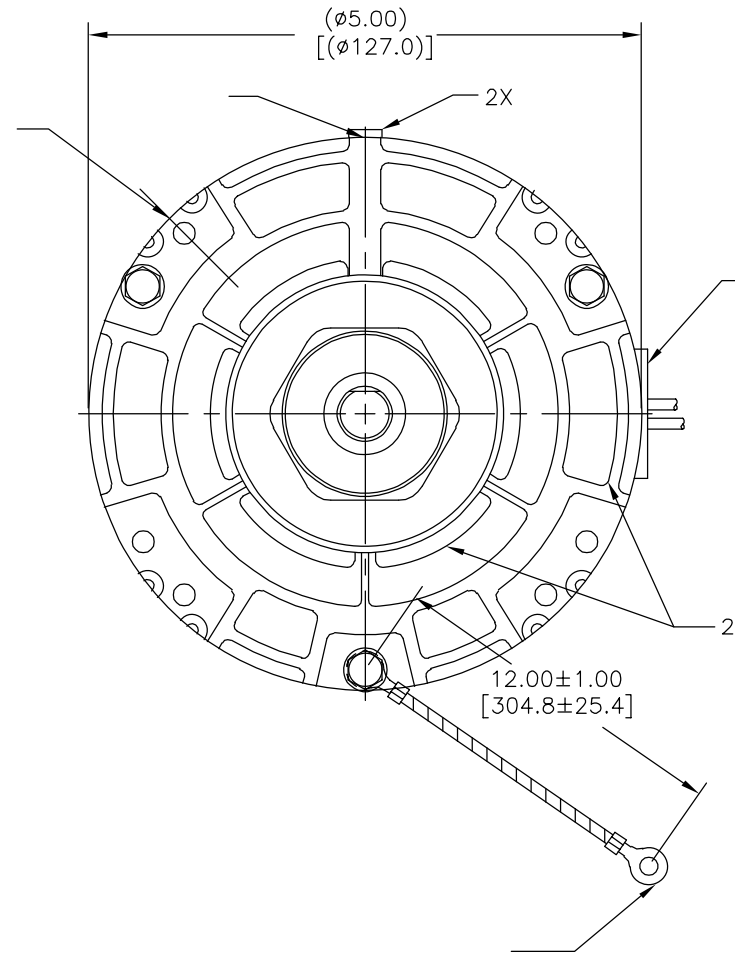
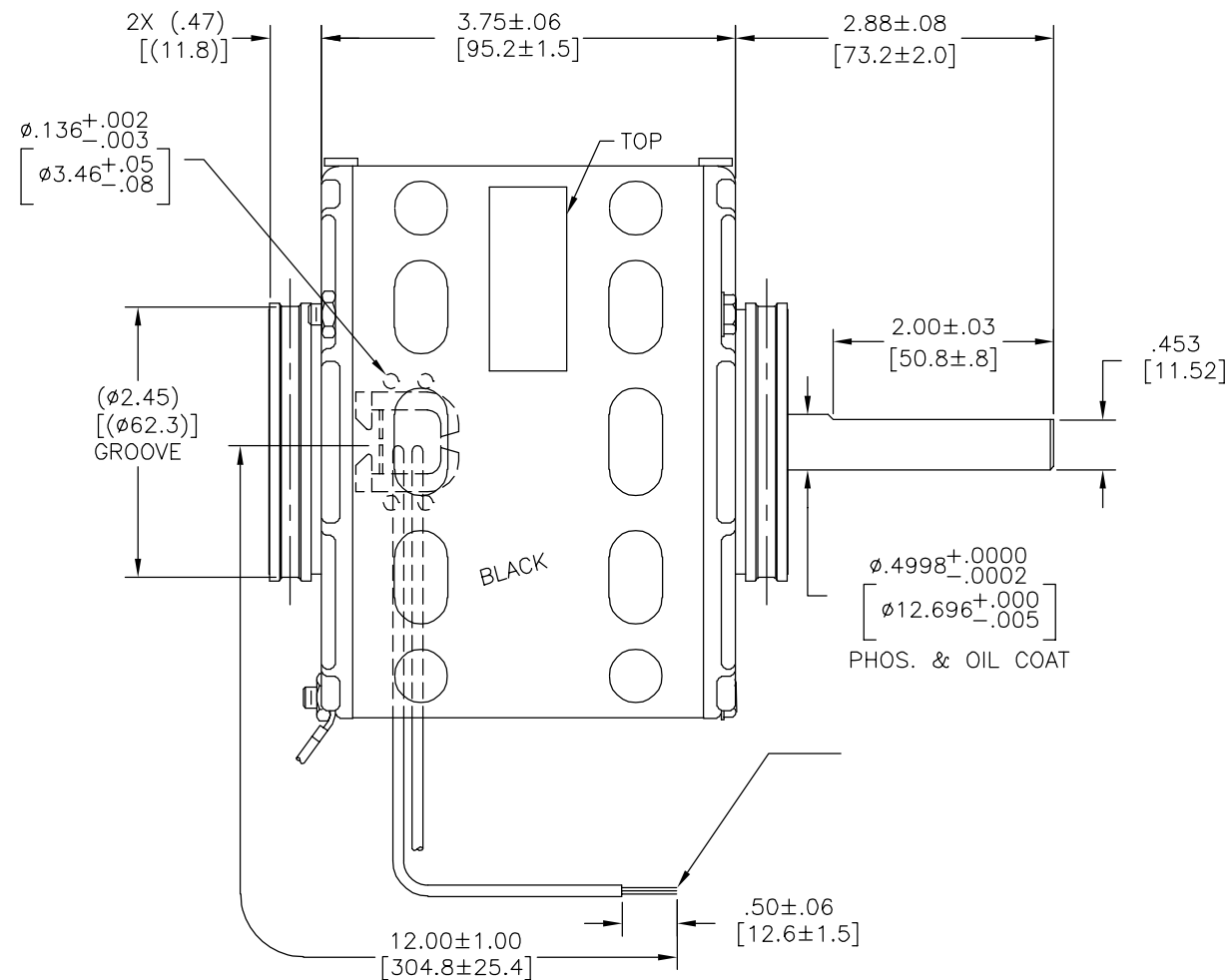
REVISION:	ECO	REVISADO POR:	FECHA:	APROBADO POR:	FECHA:
E	0029021	E.SINECIO	10-18-2012	G.ALVIDREZ	10-18-2012

4

3

2

1



SCHEMATIC-283

ROT:-CCWLE-CWSE

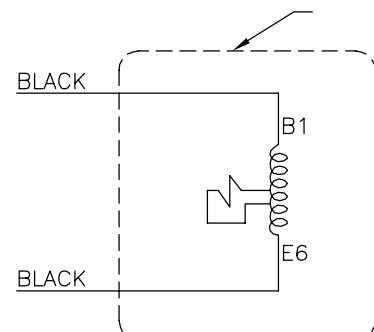
NAMEPLATE DATA:



TIPP CITY, OHIO
THERMALLY PROTECTED



SER. DATE & PO# PLT LTR MOD DA3F172N"
VOLTS 115 HZ 60 AMPS 4.2
RPM 1050 SP PH 1 CAP
INS CLB AMB40°C HP 1/8 CONT AO ←ROTATION→
BRG SLV ASSEMBLED IN MEXICO



CARACTERISTICAS DE GEOMETRIA Y SIMBOLOS
 □ PLANICIDAD
 - RECTITUD
 < ANGULARIDAD
 ⊥ PERPENDICULARIDAD (A ESCUADRA)
 // PARALELISMO
 ○ REDONDEZ (CIRCULARIDAD)
 ∅ CILINDRICIDAD
 △ PERFIL DE CUALQUIER SUPERFICIE
 ∇ PERFIL DE CUALQUIER LINEA
 / VARIACION
 ⊕ POSICION REAL
 ⊙ CONCENTRICIDAD
 = SIMETRIA
 ASME Y14.5M 1994

A MENOS QUE SE ESPECIFIQUE DE OTRA MANERA, LAS TOLERANCIAS DE LAS DIMS; SON LAS SIGUIENTES:
 PULG ±.1 ±.02 ±.005 ±.0005
 mm ±0.5 ±0.13 ±0.013
 ANG. ± 50 GRADOS
 ELIMINAR REBABAS Y ORILLAS FILOSAS DEL BORDE.
 PULG .003-.015 mm 0.1-0.4
 FILETEAR ESQUINA: PULG .020 mm 0.5
 MAQUINAR SUPERFICIES
 PULG 125 mm 3.2
 DIMS METRICAS MOSTRADAS [PARENTESIS]

DIBUJADO POR: J.RUPERT 05-19-2004
 APROBADO POR:
 TERCER ANGULO DE PROYECCION
 FECHA EDS: 11-11-2011
 REV. FORMATO: H
 CONFIDENCIAL: ESTE DIBUJO Y SU INFORMACION SON PROPIEDAD DE USO EXCLUSIVO Y CONFIDENCIAL DE REGAL-BELOIT CORPORATION. Y NO DEBERAN SER REVELADOS, DUPLICADOS, DISTRIBUIDOS O USARSE DE OTRA MANERA SIN EL CONSENTIMIENTO ESCRITO DE REGAL-BELOIT CORPORATION. -TODOS LOS DERECHOS RESERVADOS.

REGAL REGAL-BELOIT CORPORATION

DESCRIPCION: MODEL-RFHP-42FR OUTLINE
 TAMAÑO: C NUMERO DE DIBUJO: DA3F7172
 ESCALA:NONE HOJA: 1

4

3

2

1

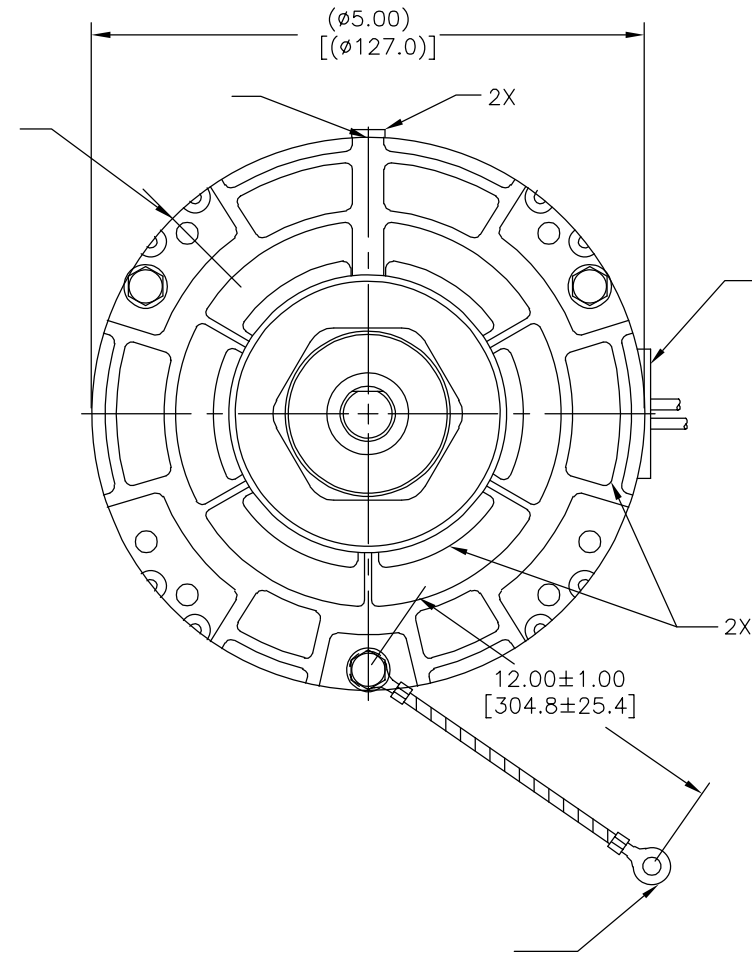
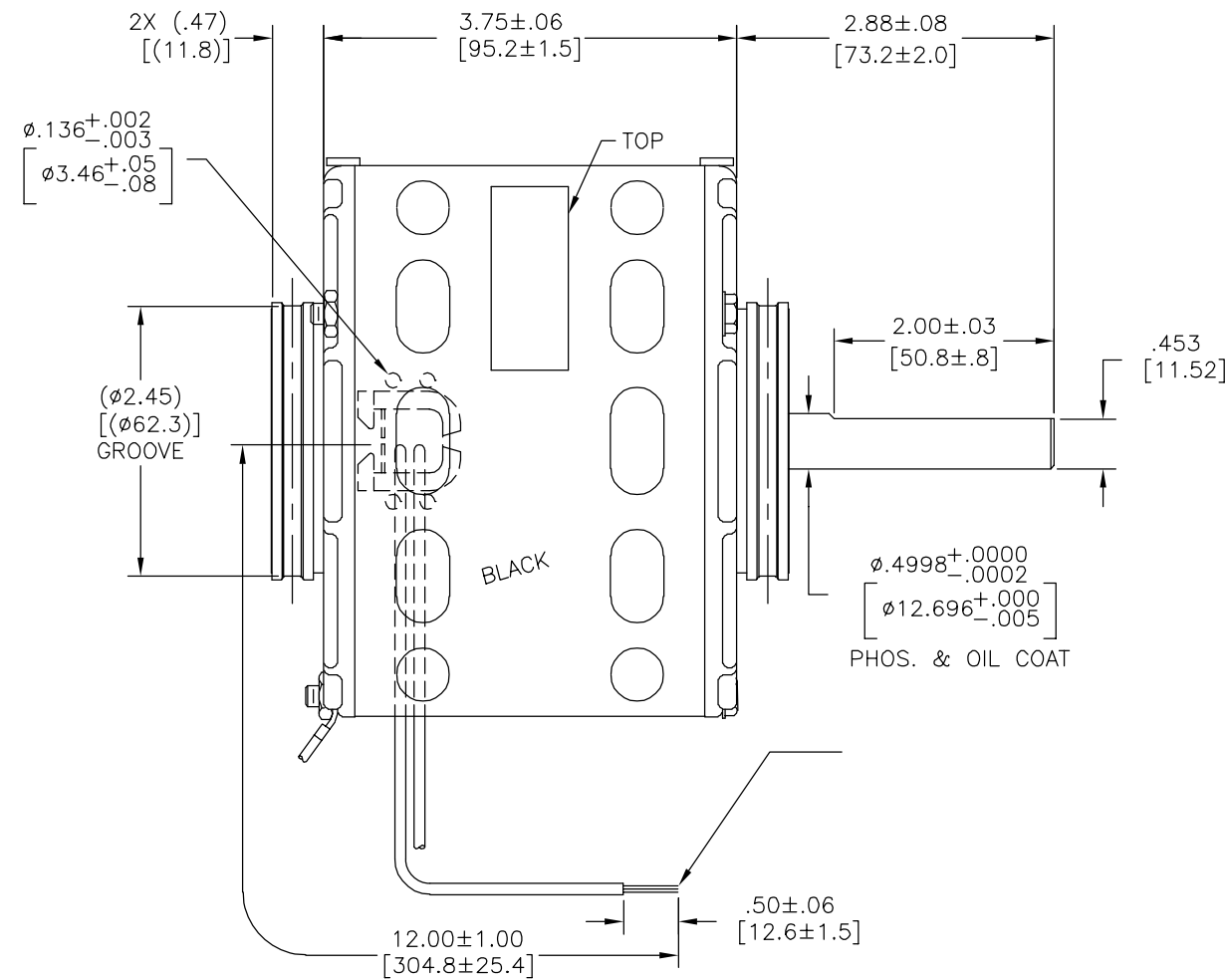
版本	ECO	编制	日期	批准	日期
E	0029021	E.SINECIO	10-18-2012	G.ALVIDREZ	10-18-2012

4

3

2

1



SCHEMATIC-283

ROT:-CCWLE-CWSE

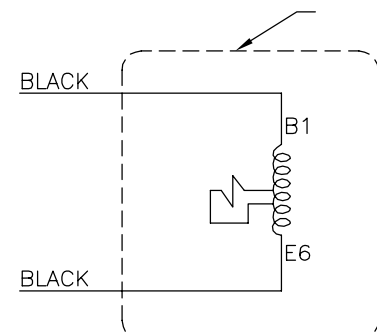
NAMEPLATE DATA:



TIPP CITY, OHIO
THERMALLY PROTECTED



SER. DATE & PO# PLT LTR MOD DA3F172N"
VOLTS 115 HZ 60 AMPS 4.2
RPM 1050 SP PH 1 CAP
INS CLB AMB40°C HP 1/8 CONT AO ←ROTATION→
BRG SLV ASSEMBLED IN MEXICO



- 形位公差
- 平面度
- 直线度
- ∠ 倾斜度
- ⊥ 垂直度
- // 平行度
- 圆度
- ⊘ 圆柱度
- △ 面轮廓度
- ∇ 线轮廓度
- ↗ 圆跳动
- ⊕ 位置度
- ⊙ 同轴度
- ≡ 对称度

ASME Y14.5M 1994

除另有注明
尺寸公差如下:
英寸 X XX XXX XXXX
±.1 ±.02 ±.005 ±.0005
毫米 ±0.5 ±0.13 ±0.013
角度 ±.50 度
清理毛刺和尖棱
英寸 .003-.015 毫米 0.1-0.4
内圆角
英寸 .020 毫米 0.5
表面粗糙度
英制 125 米制 3.2
米制尺寸显示在L

绘图:

J.RUPERT

05-19-2004

批准:

第三角投影



图纸格式发布日期 11-11-2011
图纸格式版本 H

机密: 本图纸及相关信息所有权归REGAL-BELOIT CORPORATION
未经REGAL-BELOIT CORPORATION书面授权, 不得泄露、
复制、传播或作其他用途。—版权所有



REGAL-BELOIT CORPORATION

名称

MODEL-RFHP-42FR
OUTLINE

图幅

C

图号

DA3F7172

比例

NONE

页号

1

4

3

2

1