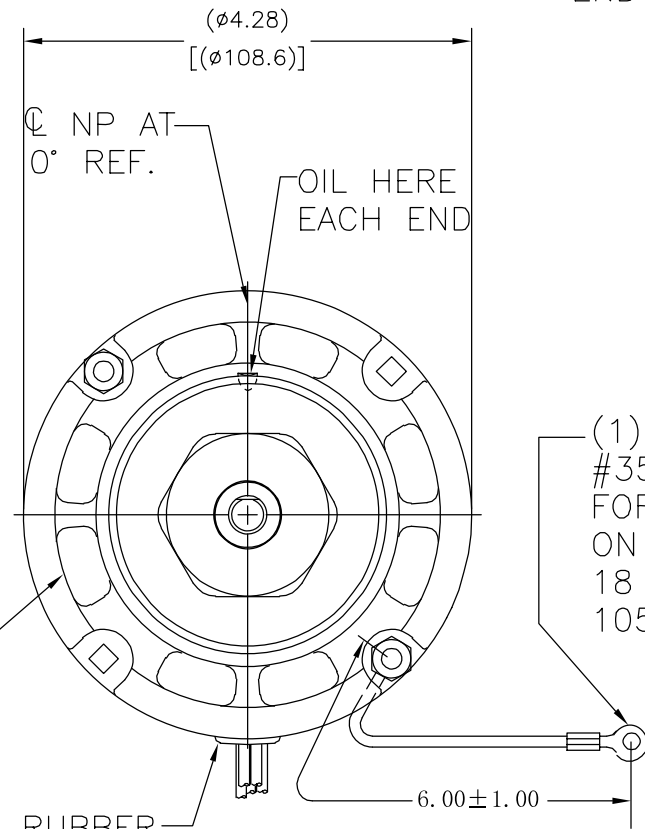
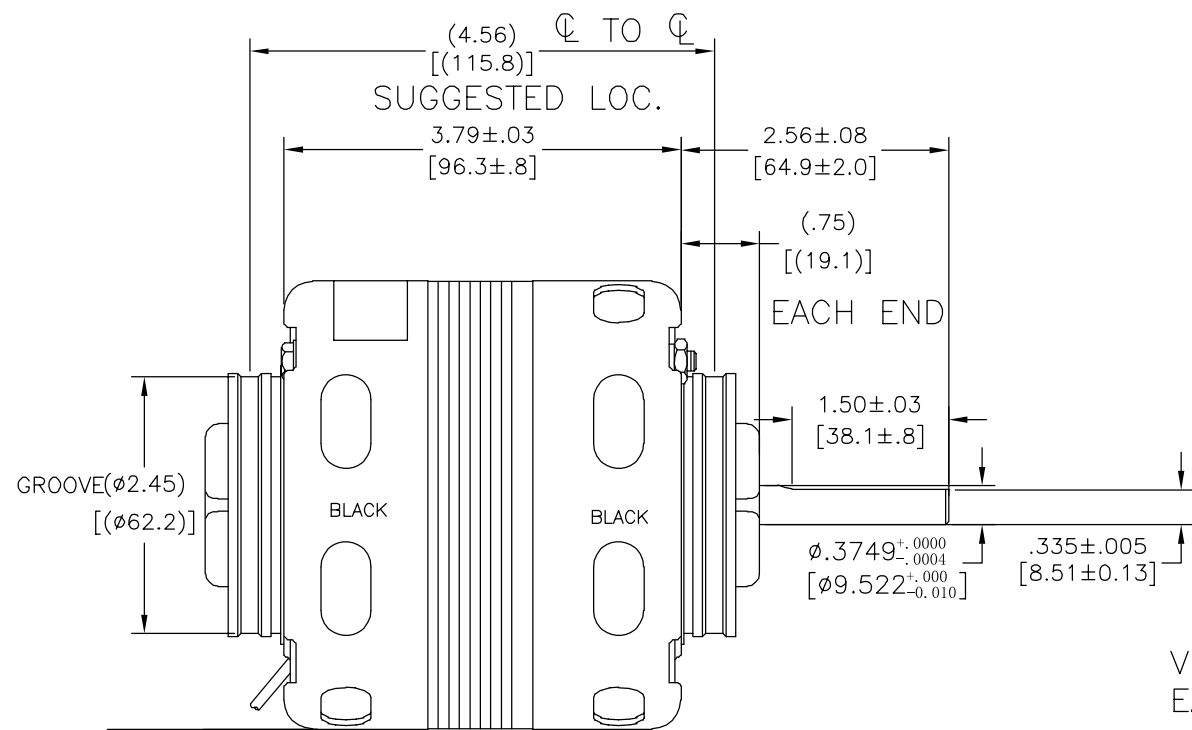


CUSTOMER IS SOLELY RESPONSIBLE FOR MOTOR PERFORMANCE AND SUITABILITY IN APPLICATIONS FOR CUSTOMER'S USES

REV	ECO	REV BY	DATE	APPD	DATE
P	0027378	H.REN	07-13-2012	B.SHEN	07-13-2012

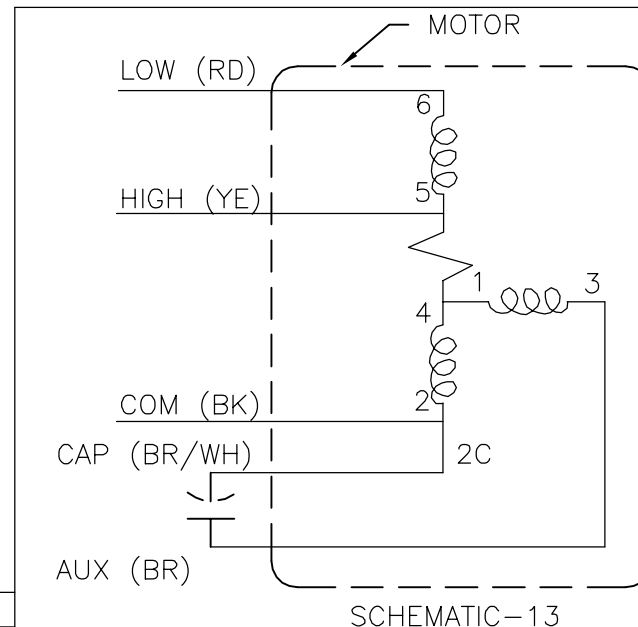
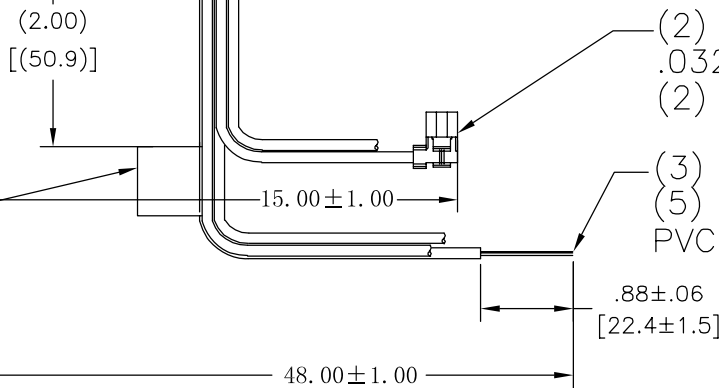


END PLAY .04 MAX.

SHIP SEPARATE:
(1) 72T139A-26
BAG ASSEMBLY

CONN.
LABEL

- (2) #63009-2 FOR .032 X .250 TAB ON
- (2) BR CAP LEADS
- (3) NOT TIN DIPPED
- (5) 18 GA. .06 INS. 105°C PVC LEADS



NAMEPLATE DATA:



SER. DAT PO,PLT
208-230V 60HZ .8/.5A 1050/875RPM 1/12HP
AO CONT CWSE USE 4MFD 370VAC CAPACITOR

THERMALLY PROTECTED

MOD CE3G018N

STOCK NO. 9485

Tipp City, OH



CONN. LABEL
63T473-141

ELECTRICALLY PER
SAMPLE S-3862E

CCWLE-CWSE BOM CHG [M]

GEOMETRIC CHARACTERISTICS & SYMBOLS

- FLATNESS
- STRAIGHTNESS
- ∠ ANGULARITY
- ⊥ PERPENDICULARITY (SQUARENESS)
- // PARALLELISM
- ROUNDNESS (CIRCULARITY)
- ⊘ CYLINDRICITY
- △ PROFILE OF ANY SURFACE
- ▽ PROFILE OF ANY LINE
- ↗ RUNOUT
- ⊕ TRUE POSITION
- ⊙ CONCENTRICITY
- ≡ SYMMETRY

ASME Y14.5M 1994

UNLESS OTHERWISE SPECIFIED DIM. TOLERANCES ARE AS FOLLOWS:

INCH X XX XXX XXXX
±.1 ±.02 ±.005 ±.0005
mm ±0.5 ±0.13 ±0.013

ANG. ±.50 DEG
REMOVE BURRS & BREAK SHARP EDGES:
INCH .003-.015 mm 0.1-0.4

CORNER FILLETS TO:
INCH .020 mm 0.5

MACHINE SURFACES:
INCH 125 mm 3.2

METRIC DIMS. SHOWN IN [BRACKETS]

DR BY:

APPD:

THIRD ANGLE PROJECTION

EDS DATE 11-11-2011
FORMAT REV H

CONFIDENTIAL: THIS DRAWING AND ITS INFORMATION ARE THE EXCLUSIVE AND CONFIDENTIAL PROPERTY OF REGAL-BELOIT CORPORATION AND ARE NOT TO BE DISCLOSED, DUPLICATED, DISTRIBUTED OR OTHERWISE USED WITHOUT THE WRITTEN CONSENT OF REGAL-BELOIT CORPORATION. -ALL RIGHTS RESERVED.



DESCRIPTION	OUTLINE	
SIZE	C	DWG NO CE3G018
SCALE	NONE	SHEET 1

