

SHEET 2

REV 2

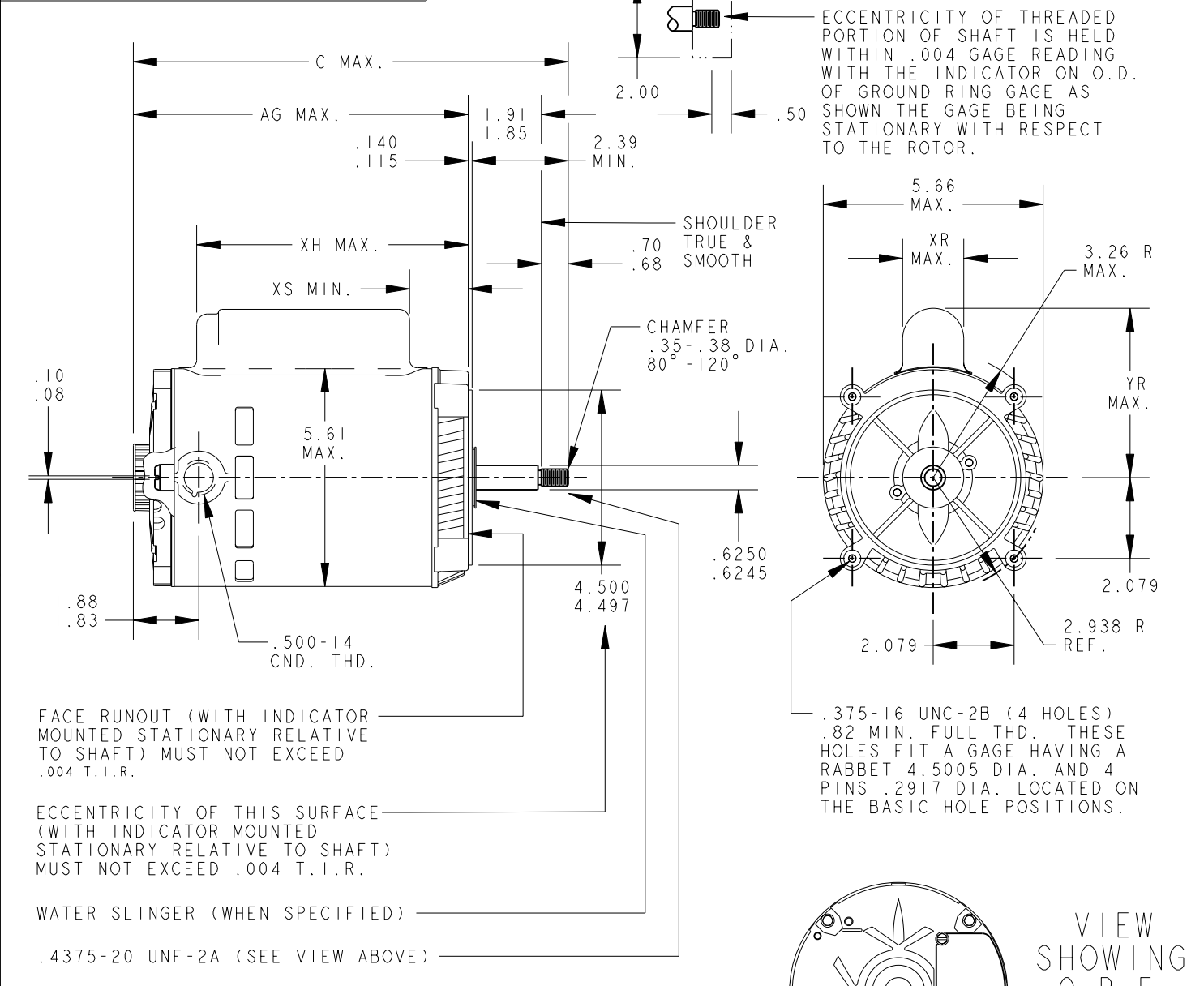
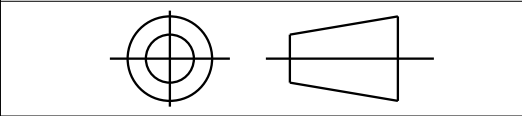
52A107128

SIZE DRAWING NO. A

RBC PROPRIETARY AND CONFIDENTIAL INFORMATION

This document is the property of REGAL BELOIT CORPORATION ("RBC") including its subsidiaries and divisions and contains proprietary information of RBC. This document is loaned on the express condition that neither it nor the information contained therein shall be disclosed to others without the express written consent of RBC, and that the information shall be used by the recipient only as approved expressly by RBC. This document shall be returned to RBC upon its request. This document may be subject to certain restrictions under U.S. export control laws and regulations.

REVISIONS			
REV.	DESCRIPTION	DATE	APPROVED
1	REDRAWN BY 2M SOFTWARE CO.	03/01/95	CCP
2	UPDATED AS PER ISO5-2192	09/15/05	PRAVEEN.K

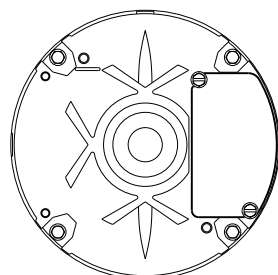
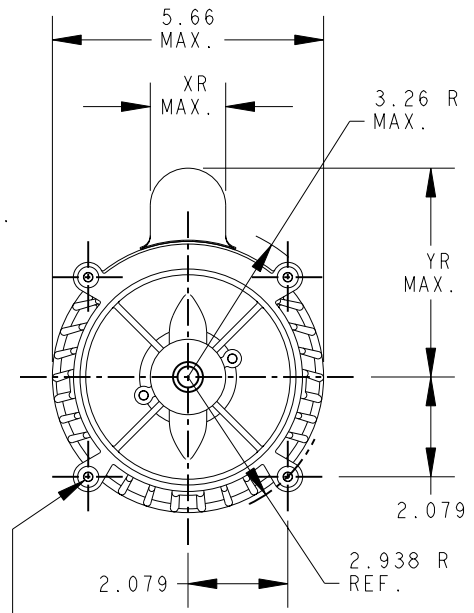


FACE RUNOUT (WITH INDICATOR MOUNTED STATIONARY RELATIVE TO SHAFT) MUST NOT EXCEED .004 T.I.R.

ECCENTRICITY OF THIS SURFACE (WITH INDICATOR MOUNTED STATIONARY RELATIVE TO SHAFT) MUST NOT EXCEED .004 T.I.R.

WATER SLINGER (WHEN SPECIFIED)


.4375-20 UNF-2A (SEE VIEW ABOVE)



VIEW SHOWING O.P.E. END SHIELD

I	KC	39	56J	13.14	10.49	2.66	8.32	1.60	4.34	8.50
P	TYPE	GE SIZE	NEMA FR	C	AG	XS	XH	XR	YR	SHELL REF.

FOR ADDITIONAL INFO REFER TO:	SIGNATURES	DATE
APPLIED PRACTICES	MODEL	
DIMENSIONS ARE IN INCHES	DETAIL	B. JOHNSON 04/08/91
TOLERANCE ON:	CHECKED	
1 PL DECIMALS ± 0.1	ENGRG	
2 PL DECIMALS ± 0.02	MFG	
3 PL DECIMALS ± 0.005	QUALITY	
ANGLES ± 1.0	ISSUED	C.C.P. 03/01/95
FRACTIONS ±		
FINISH		
MATERIAL	SOLID MODEL: 52A107128	



REGAL-BELOIT CORPORATION

OUTLINE

FORM "N" - PUMP MOTOR - DRIP PROOF

R2 END MOUNTED - SLEEVE & BALL BEARING

SIZE DRAWING: **A**

SCALE: 1.000 REF. No: . SHEET 1 of 1

52A107128

REV 2