

4

3

2

1

| | | | | | |
|-----|-------------|---------|------------|----------|------------|
| REV | ECO | REV BY | DATE | APPD | DATE |
| B | ECO-0024313 | T.HUANG | 02-14-2011 | B.C.SHEN | 02-14-2011 |

GENERAL INFORMATION:

SHAFT RUNOUT: .001[.03] T.I.R. PER INCH LENGTH OF EXTENSION

END PLAY: .010[.25] TO .063[1.60]

BEARINGS: SLEEVE

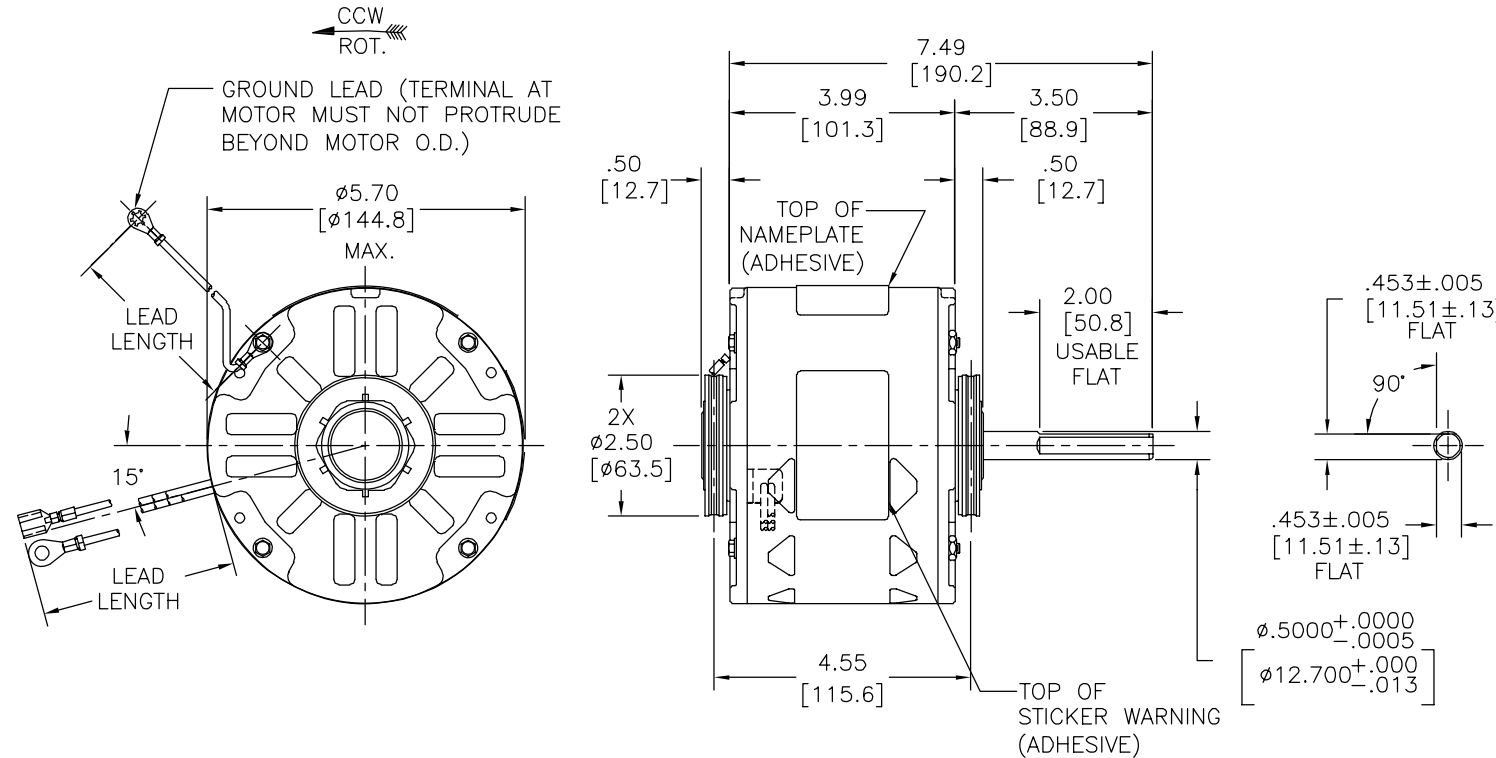
MOUNTING POSITION: ALL ANGLE

ELECTRICAL DATA:

OVERLOAD PROTECTOR: AUTOMATIC RESET (T.I. 7AM 036)

LEADS: NO. 18 GA., .06[1.5] THK. PVC 105°C INSUL.

GROUND LEAD: NO. 18 GA., .03[.8] THK., (GREEN) INSUL.



| NAMEPLATE DATA: | EXTERNAL CONNECTION DIAGRAM |
|---|-----------------------------|
| MODEL NO.: F48V46A01 CUST. P/N: OLE1026 HP: 1/4 ROT.: CCWLE RPM: 1075 TYPE: UF FRAME: 48Y VOLTS: 230 PH: 1 AMPS: 2.1 HZ: 60 INS.: B AMB.: 40° C DUTY: AIR OVER CAP.: 4.0 MFD/370V ENCL: SEMI-ENCL. UL LOGO CSA LOGO THERMALLY PROTECTED | |

| | | |
|----------------|-----------------------|--------------------------|
| GREEN (GROUND) | 12.0/13.0 [305/330] | #10 EYELET |
| BROWN | 40.0/42.0 [1016/1067] | .25[6.4] FEMALE SPADE |
| BROWN/WHITE | 40.0/42.0 [1016/1067] | .25[6.4] FEMALE SPADE |
| WHITE | 40.0/42.0 [1016/1067] | #10 RING |
| BLACK | 40.0/42.0 [1016/1067] | #10 RING |
| COLOR | LENGTH | TERMINAL OR STRIP LENGTH |

| | |
|------------------|---------------|
| MAIN FRAME - OLE | SEMI-ENCLOSED |
| END FRAME - OLE | OPEN |
| MAIN FRAME - LE | SEMI-ENCLOSED |
| END FRAME - LE | OPEN |

| | |
|----------|----------------------|
| CUSTOMER | DISTRIBUTION SERVICE |
|----------|----------------------|

| | | | | | | |
|-----------------------|--------------------------|-----------------|---------------------|-------|------------|---------|
| PERFORMANCE CURVE NO. | TORQUE @ 1075 RPM (25°C) | APPROVED SAMPLE | UL COMPONENT FILE # | CCN # | CSA FILE # | CLASS # |
| C32377 | 26.8 OZ. FT. | 0442981B | E46412 | PRGY2 | LR43341 | 4211-01 |

GEOMETRIC CHARACTERISTICS & SYMBOLS

- ▮ FLATNESS
- STRAIGHTNESS
- ∠ ANGULARITY
- ⊥ PERPENDICULARITY (SQUARENESS)
- ∥ PARALLELISM
- ROUNDNESS (CIRCULARITY)
- ⊘ CYLINDRICITY
- △ PROFILE OF ANY SURFACE
- ∩ PROFILE OF ANY LINE
- ↗ RUNOUT
- ⊕ TRUE POSITION
- ◎ CONCENTRICITY
- ≡ SYMMETRY

ASME Y14.5M 1994

REGAL-BELOIT CORPORATION (RBC) PROVIDES TECHNICAL ASSISTANCE TO OUR CUSTOMERS IN SEVERAL AREAS. SINCE RBC DOES NOT RECEIVE ALL DATA CONCERNING THE USE AND APPLICATION OF THE MOTOR, THE SUITABILITY OF THE MOTOR FOR THE APPLICATION MUST BE DETERMINED BY THE CUSTOMER.

DIMENSIONS WITHOUT TOLERANCES ARE FOR REFERENCE ONLY.

DR BY: T.HUANG 02-14-2011

APPD: B.C.SHEN 02-14-2011

THIRD ANGLE PROJECTION

EDS DATE 11-11-2011
FORMAT REV G

CONFIDENTIAL: THIS DRAWING AND ITS INFORMATION ARE THE EXCLUSIVE AND CONFIDENTIAL PROPERTY OF REGAL-BELOIT CORPORATION AND ARE NOT TO BE DISCLOSED, DUPLICATED, DISTRIBUTED OR OTHERWISE USED WITHOUT THE WRITTEN CONSENT OF REGAL-BELOIT CORPORATION. -ALL RIGHTS RESERVED.

REGAL-BELOIT CORPORATION

DESCRIPTION: MODEL-RFHP-48FR OUTLINE

SIZE: C DWG NO: OLE1026

SCALE: NONE SHEET: 1

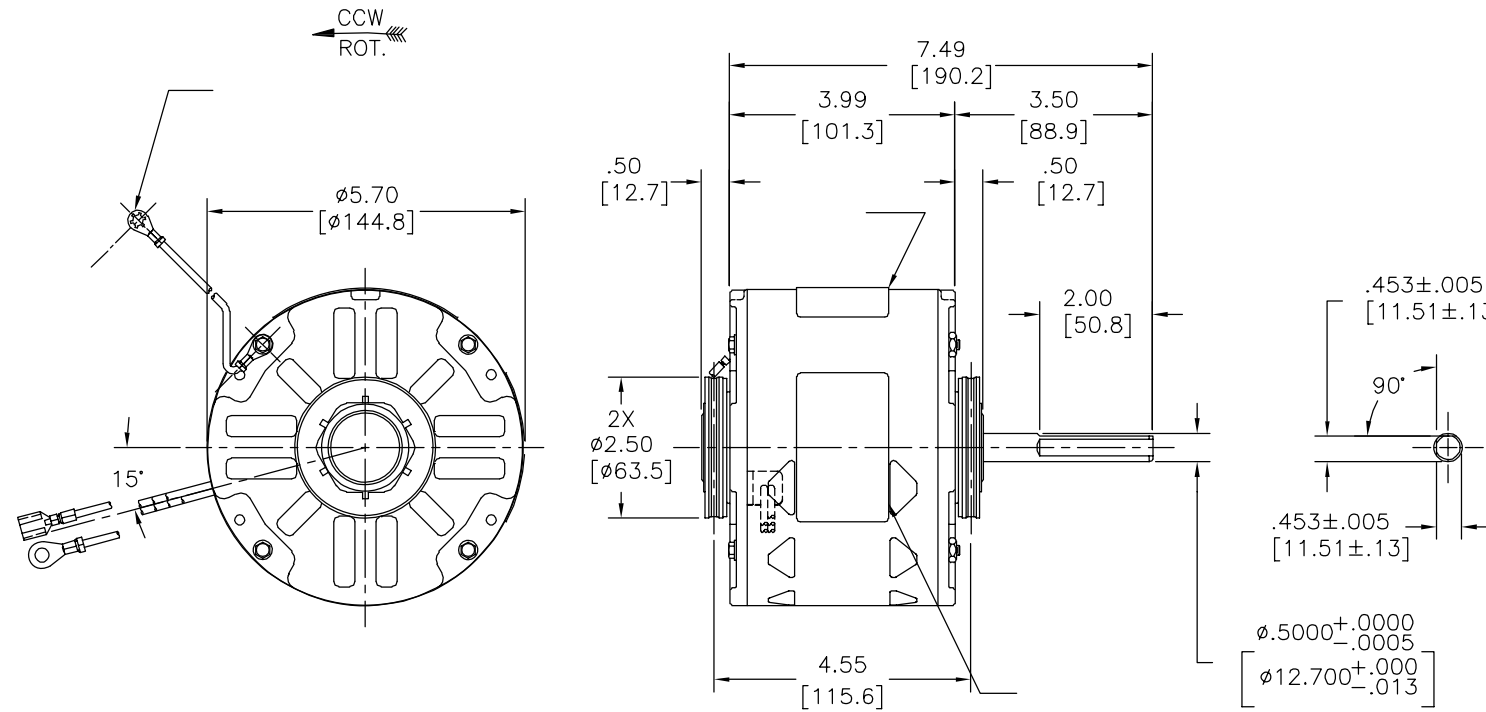
4

3

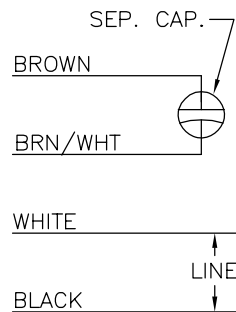
2

1

| | | | | | |
|-----------|-------------|---------------|------------|---------------|------------|
| REVISION: | ECO | REVISADO POR: | FECHA: | APROBADO POR: | FECHA: |
| B | ECO-0024313 | T.HUANG | 02-14-2011 | B.C.SHEN | 02-14-2011 |



MODEL NO.: F48V46A01
 CUST. P/N: OLE1026
 HP: 1/4
 ROT.: CCWLE
 RPM: 1075
 TYPE: UF
 FRAME: 48Y
 VOLTS: 230
 PH: 1
 AMPS: 2.1
 HZ: 60
 INS.: B
 AMB.: 40° C
 DUTY: AIR OVER
 CAP.: 4.0 MFD/370V
 ENCL: SEMI-ENCL.
 UL LOGO
 CSA LOGO
 THERMALLY PROTECTED



614131-007

| | | |
|--|-------------|--|
| | 12.0/13.0 | |
| | [305/330] | |
| | 40.0/42.0 | |
| | [1016/1067] | |
| | 40.0/42.0 | |
| | [1016/1067] | |
| | 40.0/42.0 | |
| | [1016/1067] | |
| | 40.0/42.0 | |
| | [1016/1067] | |

C32377 26.8 OZ. FT. 0442981B E46412 PRGY2 LR43341 4211-01

DISTRIBUTION SERVICE

CARACTERISTICAS DE GEOMETRIA Y SIMBOLOS
 ▽ PLANICIDAD
 — RECTITUD
 < ANGULARIDAD
 ⊥ PERPENDICULARIDAD (A ESCUADRA)
 // PARALELISMO
 ○ REDONDEZ (CIRCULARIDAD)
 ∅ CILINDRICIDAD
 △ PERFIL DE CUALQUIER SUPERFICIE
 ∇ PERFIL DE CUALQUIER LINEA
 ↗ VARIACION
 ⊕ POSICION REAL
 ⊙ CONCENTRICIDAD
 = SIMETRIA

REGAL-BELOIT CORPORATION (RBC) PROVEE ASISTENCIA TECNICA A NUESTROS CLIENTES EN VARIAS AREAS. DESDE QUE RBC NO RECIBE TODOS LOS DATOS EN RELACION AL USO Y A LA APLICACION DEL MOTOR, LA APLICACION ADECUADA DEL MOTOR DEBE SER DETERMINADA POR EL CLIENTE.

DIMENSIONES SIN TOLERANCIA SON DE REFERENCIA SOLAMENTE

DIBUJADO POR: T.HUANG
 APROBADO POR: B.C.SHEN

02-14-2011

TERCER ANGULO DE PROYECCION



FECHA EDS: 11-11-2011
 REV. FORMATO: G

CONFIDENCIAL: ESTE DIBUJO Y SU INFORMACION SON PROPIEDAD DE USO EXCLUSIVO Y CONFIDENCIAL DE REGAL-BELOIT CORPORATION. Y NO DEBERAN SER REVELADOS, DUPLICADOS, DISTRIBUIDOS O USARSE DE OTRA MANERA SIN EL CONSENTIMIENTO ESCRITO DE REGAL-BELOIT CORPORATION. -TODOS LOS DERECHOS RESERVADOS.

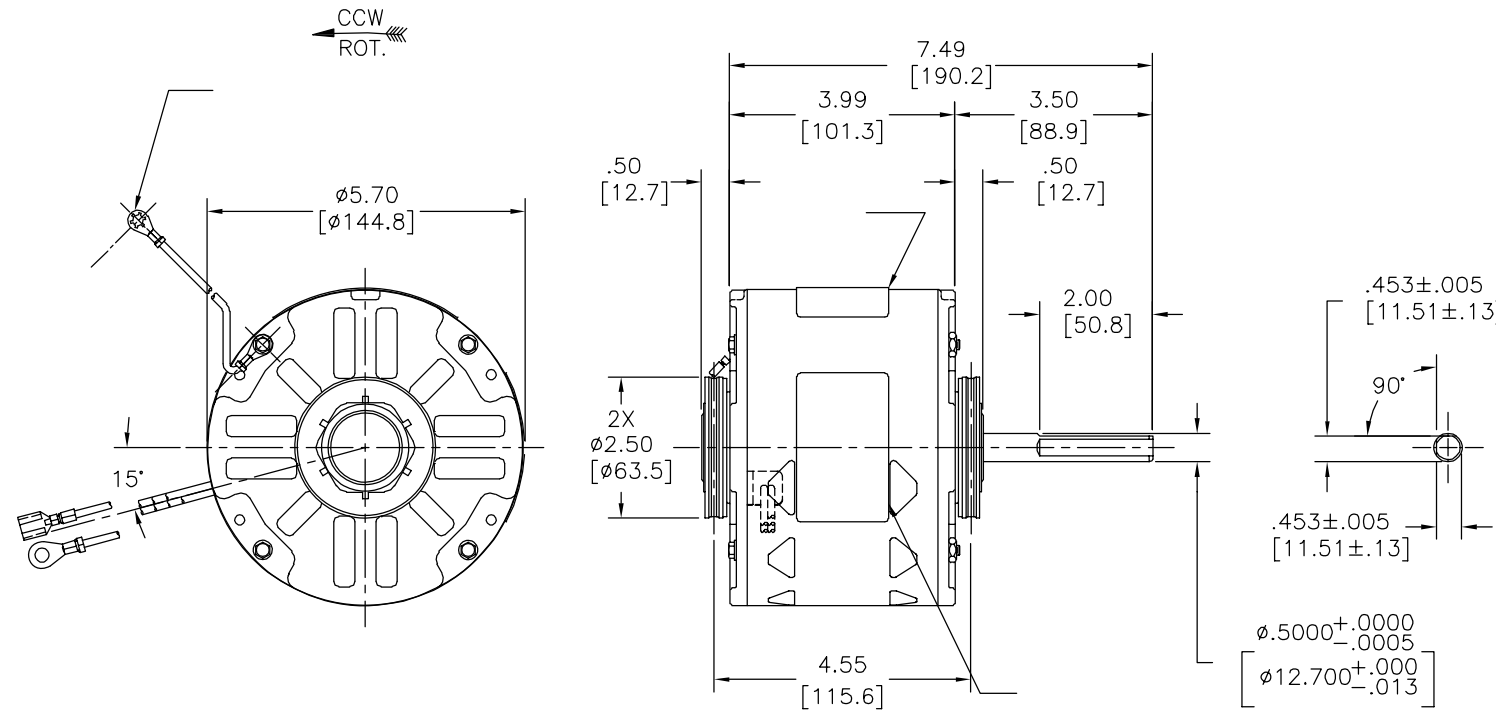


DESCRIPCION: MODEL-RFHP-48FR OUTLINE

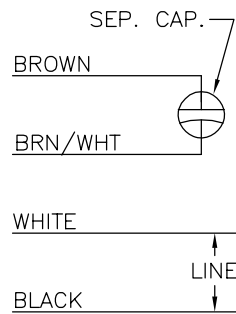
TAMAÑO: C NUMERO DE DIBUJO: OLE1026

ESCALA: NONE HOJA: 1

| | | | | | |
|----|-------------|---------|------------|----------|------------|
| 版本 | ECO | 编制 | 日期 | 批准 | 日期 |
| B | ECO-0024313 | T.HUANG | 02-14-2011 | B.C.SHEN | 02-14-2011 |



MODEL NO.: F48V46A01
 CUST. P/N: OLE1026
 HP: 1/4
 ROT.: CCWLE
 RPM: 1075
 TYPE: UF
 FRAME: 48Y
 VOLTS: 230
 PH: 1
 AMPS: 2.1
 HZ: 60
 INS.: B
 AMB.: 40° C
 DUTY: AIR OVER
 CAP.: 4.0 MFD/370V
 ENCL: SEMI-ENCL.
 UL LOGO
 CSA LOGO
 THERMALLY PROTECTED



614131-007

| | | |
|--|-------------|--|
| | 12.0/13.0 | |
| | [305/330] | |
| | 40.0/42.0 | |
| | [1016/1067] | |
| | 40.0/42.0 | |
| | [1016/1067] | |
| | 40.0/42.0 | |
| | [1016/1067] | |
| | 40.0/42.0 | |
| | [1016/1067] | |

| | |
|--|--|
| | |
| | |
| | |
| | |

DISTRIBUTION SERVICE

- 形位公差
- 平面度
- 直线度
- ∠ 倾斜度
- ⊥ 垂直度
- // 平行度
- 圆度
- ⊘ 圆柱度
- ⊙ 圆轮廓度
- △ 面轮廓度
- ⌒ 线轮廓度
- ↗ 圆跳动
- ⊕ 位置度
- ⊙ 同轴度
- ≡ 对称度

ASME Y14.5M 1994

REGAL-BELOIT CORPORATION (RBC) 在个别领域为客户提供技术支持。鉴于RBC未收到任何涉及电机使用和应用环境的数据，电机的适用性由客户自己决定。

未注公差尺寸仅供参考。

绘图: T.HUANG 02-14-2011
 批准: B.C.SHEN 02-14-2011
 第三角投影
 机密: 本图纸及相关信息所有权归REGAL-BELOIT CORPORATION。未经REGAL-BELOIT CORPORATION书面授权, 不得泄露、复制或传播作其他用途。一版权所有



名称: MODEL-RFHP-48FR OUTLINE
 图幅: C 图号: OLE1026

比例: NONE 页号: 1

| | | | |
|---|---|---|---|
| 4 | 3 | 2 | 1 |
| D | | | D |
| C | | | C |
| B | | | B |
| A | | | A |
| 4 | 3 | 2 | 1 |