

4

3

2

1

GENERAL INFORMATION:

SHAFT RUNOUT: .001 [.03] T.I.R. PER INCH LENGTH OF EXTENSION

BEARINGS: BALL

MOUNTING POSITION: HORIZONTAL

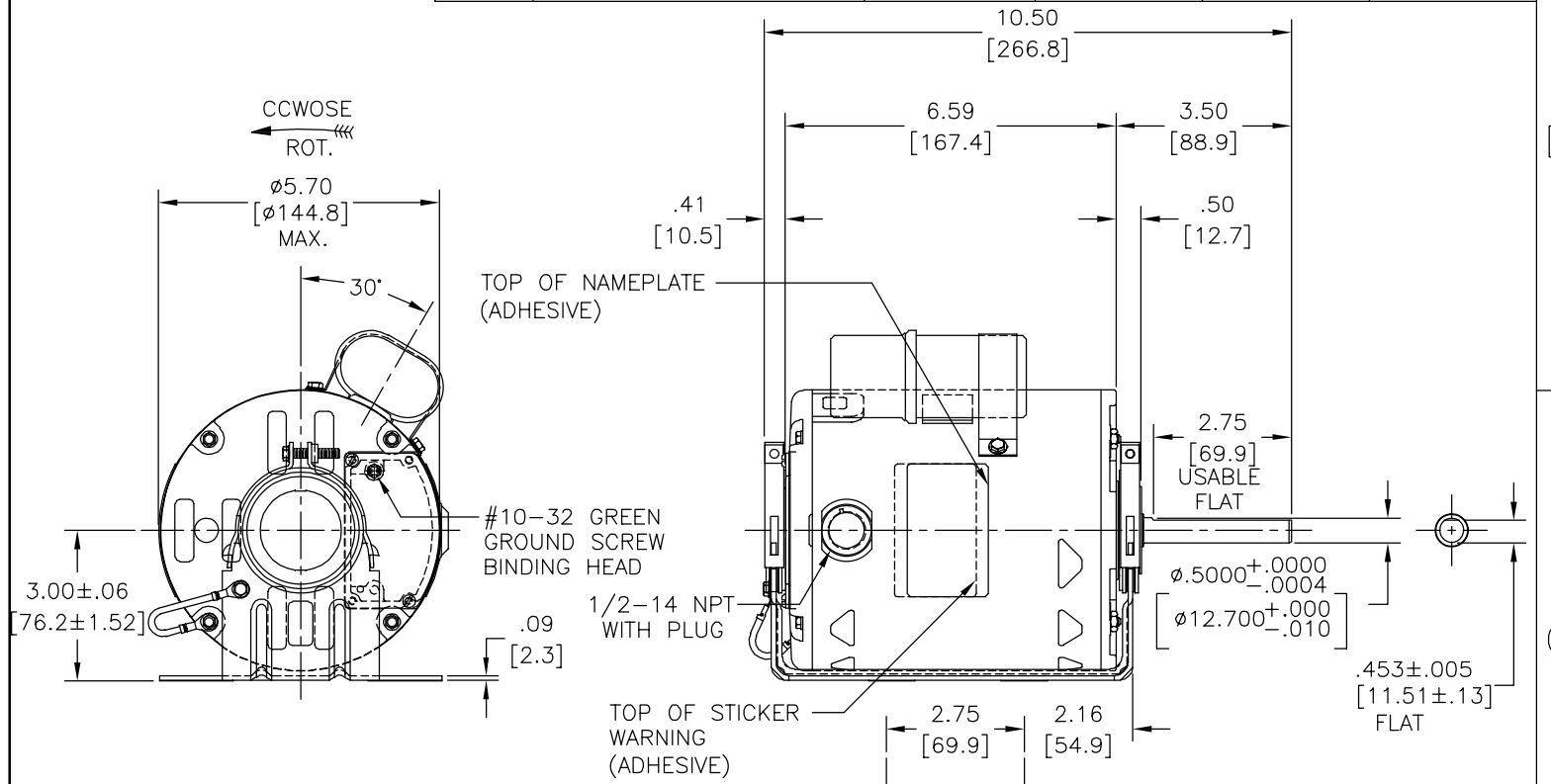
ELECTRICAL DATA:

OVERLOAD PROTECTOR: AUTOMATIC RESET (T.I. 7AM 036)

LEADS: NO. 18 GA., .06 [1.5] THK. PVC 105°C INSUL.

GROUND LEAD: NO. 18 GA., .03 [.8] THK. (GREEN) INSUL.

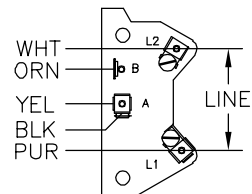
REV	ECO	REV BY	DATE	APPD	DATE
G	0025555	O. CARVAJAL	05-02-2012	M. AVILA	05-02-2012



NAMEPLATE DATA:

EXTERNAL CONNECTION DIAGRAM

MODEL NO.: F48Y03A01
 CUST. P/N: OKT3035
 HP: 1/3
 ROT.: CCWLE
 RPM: 1075/900
 TYPE: UF
 FRAME: 48
 VOLTS: 115/208-230
 PH: 1
 AMPS: 6.3/2.8-3.15
 HZ: 60/50
 INS.: B
 AMB.: 40° C
 DUTY: AIR OVER
 CAP.: 5 MFD/370 V
 ENCL: SEMI-ENCL.
 UL LOGO
 CSA LOGO
 THERMALLY PROTECTED



SHOWN FOR 230 VOLT CONNECTION, FOR 115 VOLTS, CONNECT YELLOW TO L2 AND ORANGE TO A

614131-336

GREEN (GROUND)	CONNECTED TO BASE	#8 EYELET
BROWN	CONNECTED TO CAPACITOR	.25 [6.4] FLAG
BROWN/WHITE	CONNECTED TO CAPACITOR	.25 [6.4] FLAG
PURPLE	3.5/5.5 [89/140]	.25 [6.4] FLAG
YELLOW	5.5/7.5 [140/191]	.25 [6.4] FLAG
ORANGE	5.5/7.5 [140/191]	.25 [6.4] FLAG
WHITE	3.5/5.5 [89/140]	.25 [6.4] FLAG
BLACK	5.5/7.5 [140/191]	.25 [6.4] FLAG
COLOR	LENGTH	TERMINAL OR STRIP LENGTH

MAIN FRAME - OLE	SEMI-ENCL.
END FRAME - OLE	OPEN
MAIN FRAME - LE	SEMI-ENCL.
END FRAME - LE	ENCLOSED

CUSTOMER	DISTRIBUTION SERVICE
----------	----------------------

PERFORMANCE CURVE NO.	TORQUE @ 1075 RPM (25°C)	APPROVED SAMPLE	UL COMPONENT FILE #	CCN #	CSA FILE #	CLASS #
C32593	41.4 OZ. FT.	0501471A	E46412	PRGY2	LR43341	4211-01

GEOMETRIC CHARACTERISTICS & SYMBOLS
 □ FLATNESS
 — STRAIGHTNESS
 ∠ ANGULARITY
 ⊥ PERPENDICULARITY (SQUARENESS)
 ∥ PARALLELISM
 ○ ROUNDNESS (CIRCULARITY)
 ∅ CYLINDRICITY
 △ PROFILE OF ANY SURFACE
 ∩ PROFILE OF ANY LINE
 ↗ RUNOUT
 ⊕ TRUE POSITION
 ⊙ CONCENTRICITY
 = SYMMETRY
 ASME Y14.5M 1994

REGAL-BELOIT CORPORATION (RBC) PROVIDES TECHNICAL ASSISTANCE TO OUR CUSTOMERS IN SEVERAL AREAS. SINCE RBC DOES NOT RECEIVE ALL DATA CONCERNING THE USE AND APPLICATION OF THE MOTOR, THE SUITABILITY OF THE MOTOR FOR THE APPLICATION MUST BE DETERMINED BY THE CUSTOMER.

DIMENSIONS WITHOUT TOLERANCES ARE FOR REFERENCE ONLY.

DR BY: SR
 APPD: 07-18-2006

THIRD ANGLE PROJECTION
 EDS DATE 11-11-2011
 FORMAT REV G

CONFIDENTIAL: THIS DRAWING AND ITS INFORMATION ARE THE EXCLUSIVE AND CONFIDENTIAL PROPERTY OF REGAL-BELOIT CORPORATION AND ARE NOT TO BE DISCLOSED, DUPLICATED, DISTRIBUTED OR OTHERWISE USED WITHOUT THE WRITTEN CONSENT OF REGAL-BELOIT CORPORATION. -ALL RIGHTS RESERVED.



DESCRIPTION
 MODEL-RFHP-48FR
 OUTLINE

SIZE C DWG NO OKT3035

SCALE NONE SHEET 1

4

3

2

1

4

3

2

1

REVISION:	ECO	REVISADO POR:	FECHA:	APROBADO POR:	FECHA:
G	0025555	O. CARVAJAL	05-02-2012	M. AVILA	05-02-2012

INFORMACION GENERAL:

OSCILACION DE FLECHA: .001 [.03] T.I.R. PER INCH LENGTH OF EXTENSION

BALEROS: BALERO

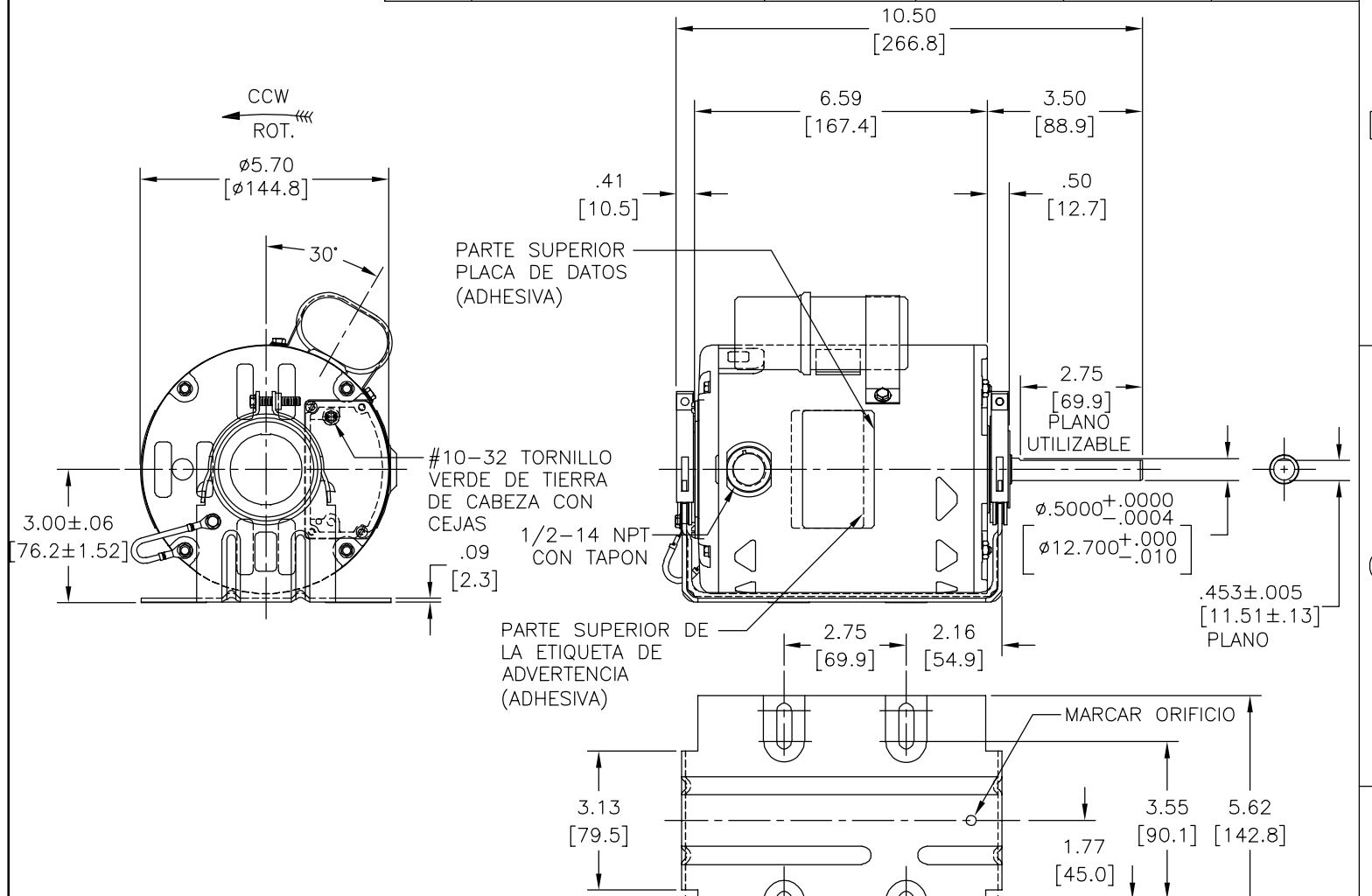
POSICION DEL MONTAJE: HORIZONTAL

INFORMACION ELECTRICA:

PROTECTOR DE SOBRECARGA: REINICIO AUTOMATICO (T.I. 7AM 036)

CABLES: NO. 18 GA., .06 [1.5] THK. PVC 105°C AISLAM.

CABLE DE TIERRA: NO. 18 GA., .03 [.8] THK. (VERDE) AISLAM.



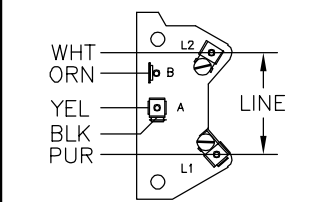
VERDE (TIERRA)	CONECTADO A LA BASE	OJAL #8
CAFE	CONECTADO AL CAPACITOR	.25 [6.4] BANDERA
CAFE/BLANCO	CONECTADO AL CAPACITOR	.25 [6.4] BANDERA
PURPURA	3.5/5.5 [89/140]	.25 [6.4] BANDERA
AMARILLO	5.5/7.5 [140/191]	.25 [6.4] BANDERA
NARANJA	5.5/7.5 [140/191]	.25 [6.4] BANDERA
BLANCO	3.5/5.5 [89/140]	.25 [6.4] BANDERA
NEGRO	5.5/7.5 [140/191]	.25 [6.4] BANDERA
COLOR	LONGITUD	TERMINAL O LONGITUD DE DESFORRE

CARCASA - LOC	SEMI-ENCERRADO
TAPA - LOC	ABIERTA
CARCASA - LC	SEMI-ENCERRADO
TAPA - LC	ENCERRADO

CLIENTE	DISTRIBUTION SERVICE
---------	----------------------

INFORMACION DE ETIQUETA: DIAGRAMA DE CONEXION EXTRNA

MODEL NO.: F48Y03A01
 CUST. P/N: OKT3035
 HP: 1/3
 ROT.: CCWLE
 RPM: 1075/900
 TYPE: UF
 FRAME: 48
 VOLTS: 115/208-230
 PH: 1
 AMPS: 6.3/2.8-3.15
 HZ: 60/50
 INS.: B
 AMB.: 40° C
 DUTY: AIR OVER
 CAP.: 5 MFD/370 V
 ENCL: SEMI-ENCL.
 UL LOGO
 CSA LOGO
 THERMALLY PROTECTED



SHOWN FOR 230 VOLT CONNECTION, FOR 115 VOLTS, CONNECT YELLOW TO L2 AND ORANGE TO A

614131-336

CURVAS DE FUNCIONAMIENTO	TORSION @ 1075 RPM (25°C)	MUESTRA APROBADA	COMPONENTE UL	CSA
C32593	41.4 OZ. FT.	0501471A	#ARCHIVO CCN # #ARCHIVO CLASE #	LR43341 4211-01

CARACTERISTICAS DE GEOMETRIA Y SIMBOLOS
 □ PLANICIDAD
 — RECTITUD
 < ANGULARIDAD
 ⊥ PERPENDICULARIDAD (A ESCUADRA)
 // PARALELISMO
 ○ REDONDEZ (CIRCULARIDAD)
 ∅ CILINDRICIDAD
 △ PERFIL DE CUALQUIER SUPERFICIE
 ∇ PERFIL DE CUALQUIER LINEA
 ↗ VARIACION
 ⊕ POSICION REAL
 ⊙ CONCENTRICIDAD
 = SIMETRIA

REGAL-BELOIT CORPORATION (RBC) PROVEE ASISTENCIA TECNICA A NUESTROS CLIENTES EN VARIAS AREAS. DESDE QUE RBC NO RECIBE TODOS LOS DATOS EN RELACION AL USO Y A LA APLICACION DEL MOTOR, LA APLICACION ADECUADA DEL MOTOR DEBE SER DETERMINADA POR EL CLIENTE.
 DIMENSIONES SIN TOLERANCIA SON DE REFERENCIA SOLAMENTE

DIBUJADO POR: SR 07-18-2006
 APROBADO POR:
 TERCER ANGULO DE PROYECCION
 FECHA EDS: 11-11-2011
 REV. FORMATO: G
 CONFIDENCIAL: ESTE DIBUJO Y SU INFORMACION SON PROPIEDAD DE USO EXCLUSIVO Y CONFIDENCIAL DE REGAL-BELOIT CORPORATION. Y NO DEBERAN SER REVELADOS, DUPLICADOS, DISTRIBUIDOS O USARSE DE OTRA MANERA SIN EL CONSENTIMIENTO ESCRITO DE REGAL-BELOIT CORPORATION. -TODOS LOS DERECHOS RESERVADOS.

DESCRIPCION: **MODEL-RFHP-48FR OUTLINE**
 TAMAÑO: C NUMERO DE DIBUJO: OKT3035
 ESCALA: NONE HOJA: 1

4

3

2

1

4

3

2

1

总技术要求:

轴跳动: .001[.03]/1[25.4]外伸轴

轴承: 球轴承

安装位置: 水平

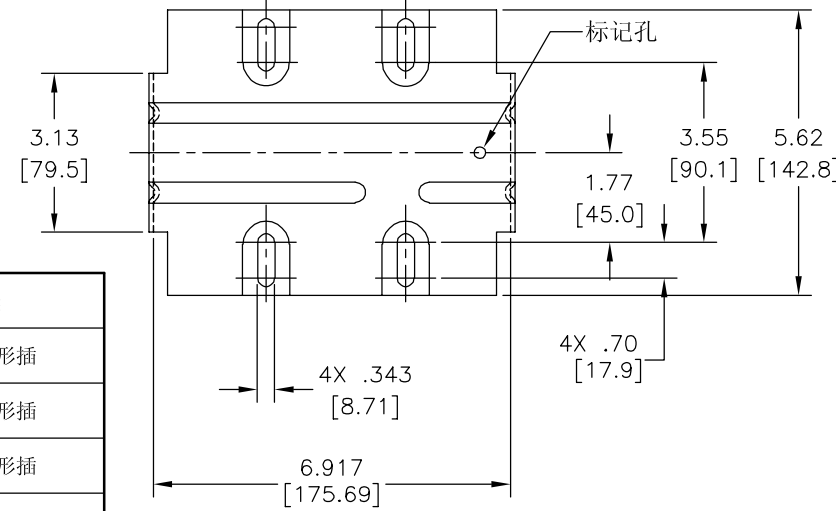
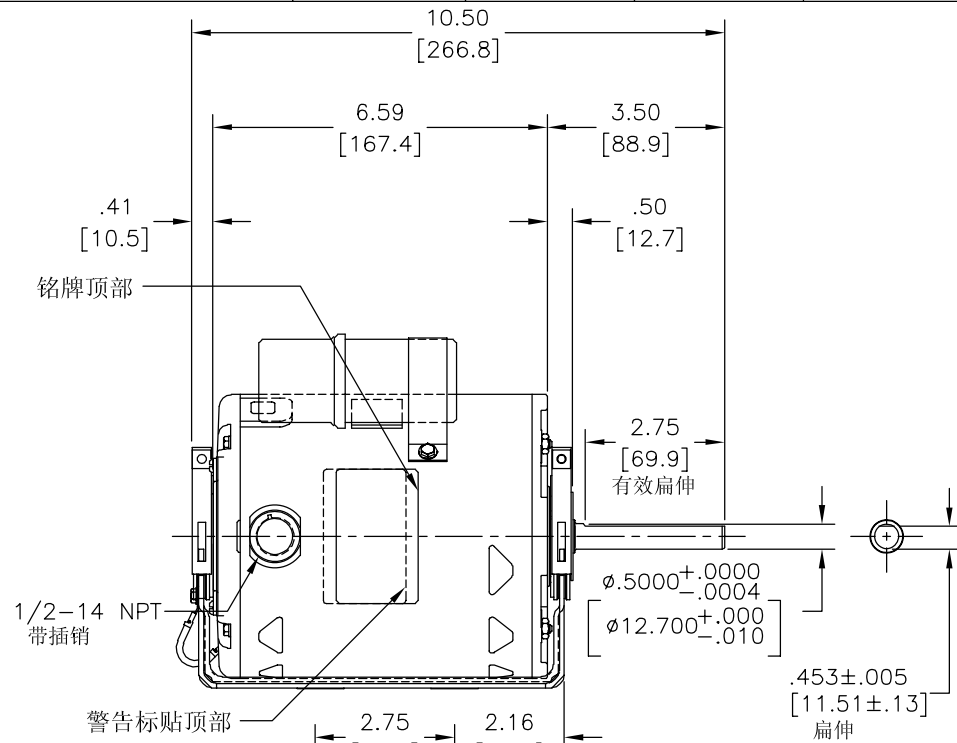
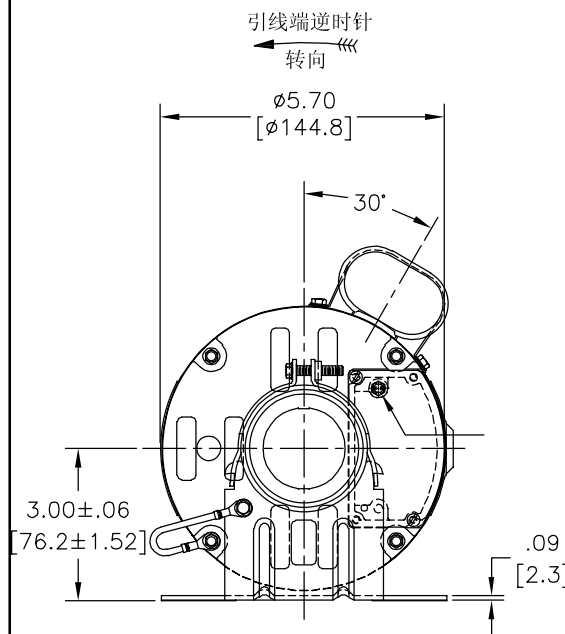
电气数据:

过载保护: 自动复位 (T.I. 7AM 036)

引线: 18# (美制标准), 厚.03[1.5] PVC 105° C 绝缘

接地线: 18# (美制标准), 厚.03[0.8]绿色绝缘

版本	ECO	编制	日期	批准	日期
G	0025555	O. CARVAJAL	05-02-2012	M. AVILA	05-02-2012



绿 (接地线)		#8 带环线
棕		.25 [6.4] 旗形插
棕/白		.25 [6.4] 旗形插
紫	3.5/5.5 [89/140]	.25 [6.4] 旗形插
蓝	5.5/7.5 [140/191]	.25 [6.4] 旗形插
棕	5.5/7.5 [140/191]	.25 [6.4] 旗形插
白	3.5/5.5 [89/140]	.25 [6.4] 旗形插
黑	5.5/7.5 [140/191]	.25 [6.4] 旗形插
颜色	长度	端子或剥线长度

无引线端机壳	
无引线端端盖	开放
有引线端机壳	
有引线端端盖	密封
密封性	

用户	DISTRIBUTION SERVICE
----	----------------------

铭牌数据	外部数据
MODEL NO.: F48Y03A01 CUST. P/N: OKT3035 HP: 1/3 ROT.: CCWLE RPM: 1075/900 TYPE: UF FRAME: 48 VOLTS: 115/208-230 PH: 1 AMPS: 6.3/2.8-3.15 HZ: 60/50 INS.: B AMB.: 40° C DUTY: AIR OVER CAP.: 5 MFD/370 V ENCL: SEMI-ENCL. UL LOGO CSA LOGO THERMALLY PROTECTED	<p>WHT — L2</p> <p>ORN — B</p> <p>YEL — A</p> <p>BLK —</p> <p>PUR — L1</p> <p>LINE</p> <p>SHOWN FOR 230 VOLT CONNECTION, FOR 115 VOLTS, CONNECT YELLOW TO L2 AND ORANGE TO A</p> <p>614131-336</p>

性能曲线编号	转矩在 @ 1075 RPM (25° C)	批准样品	UL部件		CSA	
C32593	41.4 OZ. FT.	0501471A	文件号	指南	文件号	指南
			E46412	PRGY2	LR43341	4211-01

- 形位公差
- 平面度
- 直线度
- ∠ 倾斜度
- ⊥ 垂直度
- // 平行度
- 圆度
- ⊘ 圆柱度
- ⊖ 面轮廓度
- ⊖ 线轮廓度
- ↗ 圆跳动
- ⊕ 位置度
- ⊙ 同轴度
- ≡ 对称度

ASME Y14.5M 1994

REGAL-BELOIT CORPORATION (RBC) 在个别领域为客户提供技术支持。鉴于RBC未收到任何涉及电机使用和应用环境的数据, 电机的适用性由客户自己决定。

未注公差尺寸仅供参考。

绘图:	SR	07-18-2006
批准:		
第三角投影		图纸格式发布日期 11-11-2011 图纸格式版本 G
机密: 本图纸及相关信息所有权归REGAL-BELOIT CORPORATION。未经REGAL-BELOIT CORPORATION书面授权, 不得泄露、复制、传播或作其他用途。—版权所有		

名称	
MODEL-RFHP-48FR OUTLINE	
图幅	图号
C	OKT3035
比例	页号
NONE	1

4

3

2

1