

GENERAL INFORMATION:

SHAFT RUNOUT: .001[.025] T.I.R. PER INCH[25.4mm] LENGTH OF EXTENSION.  
 BEARINGS: BALL  
 MOUNTING POSITION: HORIZONTAL

ELECTRICAL DATA:

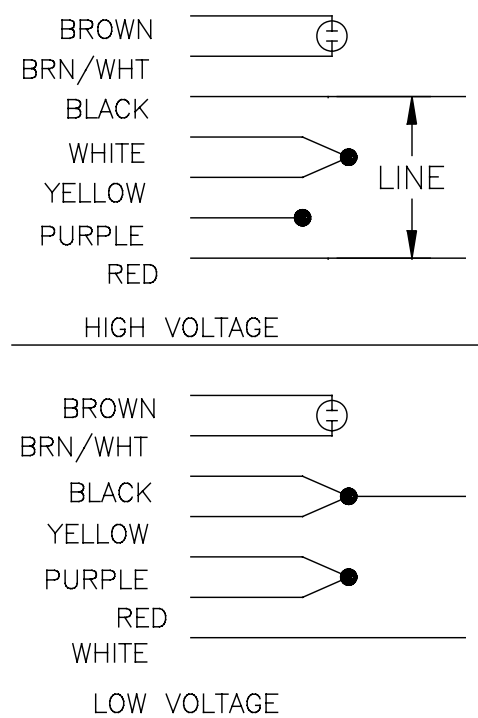
OVERLOAD PROTECTOR: AUTOMATIC RESET (T.I. 7AM 036)  
 LEADS: NO. 18 GA., .06[1.52] THK. PVC 105°C INSUL.  
 GROUND LEAD: NO. 18 GA., .03[.76] THK. GREEN/YELLOW INSUL.

SEE NOTE 1

NAMEPLATE DATA:

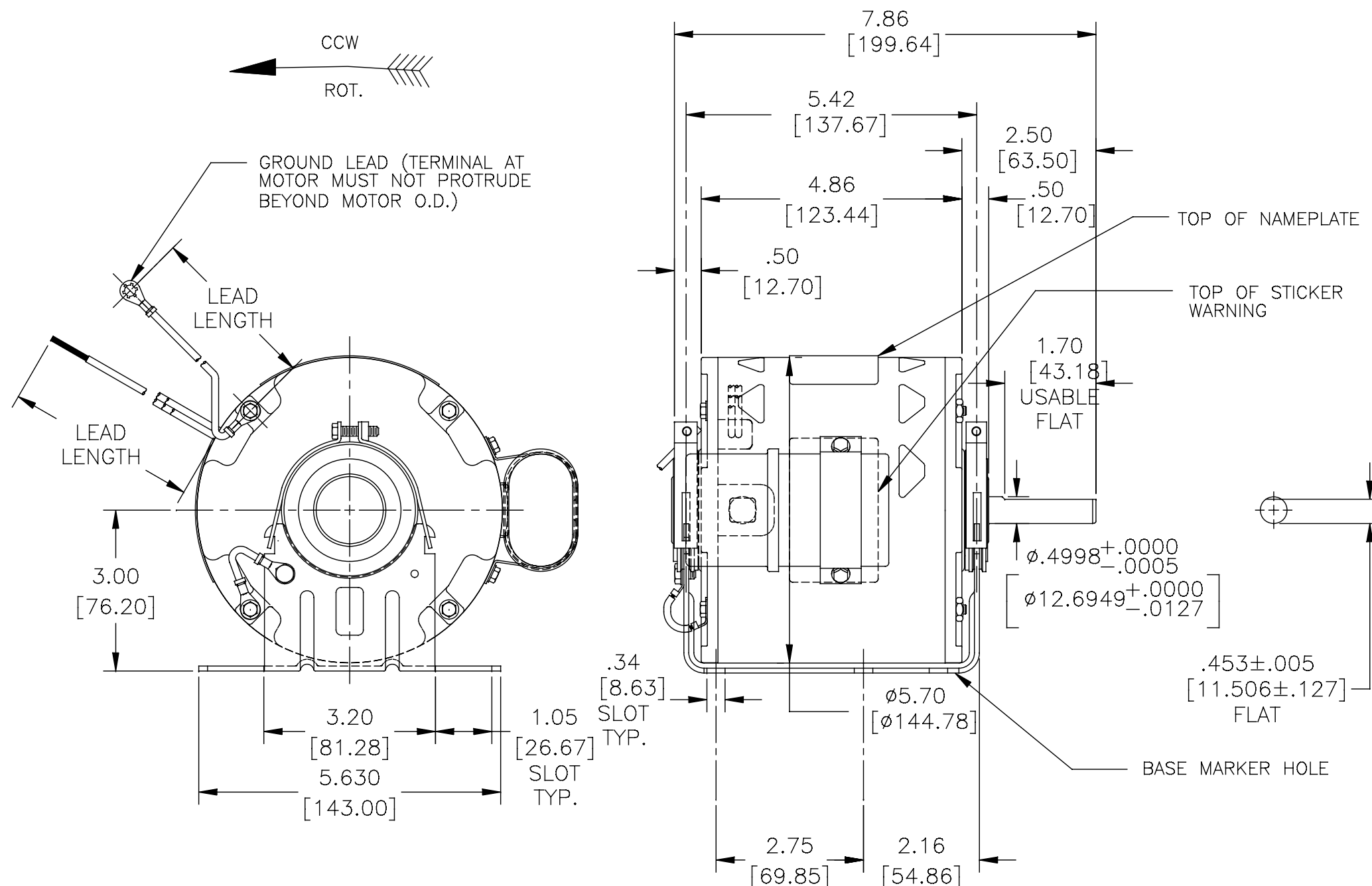
MODEL NO.: F48V45A01  
 CUST. P/N: [ ]  
 HP: 1/4  
 ROT: CCWLE  
 RPM: 1075/900  
 TYPE: UF  
 FRAME: 48Y  
 VOLTS: 115/208-230  
 PH: 1  
 AMPS: 3.0/1.5  
 HZ: 60/50  
 INS: B  
 AMB: 40°C  
 DUTY: AIR OVER  
 CAP.: 5 MFD/370 V  
 ENCL: SEMI-ENCL.  
 CSA LOGO  
 UL LOGO  
 THERMALLY PROTECTED

EXTERNAL CONNECTION DIAGRAM



614131-319

PERFORMANCE CURVE NO.	TORQUE @1075 RPM (25°C)	APPROVED SAMPLE	UL COMPONENT		CSA	
			FILE #	CCN #	FILE #	CLASS #
C32378	24.0 OZ. FT.	0442679C	E46412	PRGY2	LR43341	4211-01



GREEN/YELLOW (GRD)	12.0/13.0 [304.8/330.2]	#10 EYELET
GREEN/YELLOW (GRD)	CONNECTED TO BASE	#8 EYELET
BROWN/WHITE	CONNECTED TO CAPACITOR	.25[6.35] FLAG
BROWN	CONNECTED TO CAPACITOR	.25[6.35] FLAG
RED	14.0/16.0 [355.6/406.4]	.50[12.70] SKIN
YELLOW	14.0/16.0 [355.5/406.4]	.50[12.70] SKIN
PURPLE	14.0/16.0 [355.6/406.4]	.50[12.70] SKIN
BLACK	14.0/16.0 [355.6/406.4]	.50[12.70] SKIN
WHITE	14.0/16.0 [355.6/406.4]	.50[12.70] SKIN
COLOR	LENGTH	TERMINAL OR STRIP LENGTH

NOTE:

1. DISTRIBUTION PART NUMBER: OKT1026  
 GRAINGER PART NUMBER: 4UY81

MAIN FRAME - OLE	ENCLOSURE.
END FRAME - OLE	ENCLOSURE.
MAIN FRAME - LE	ENCLOSURE.
END FRAME - LE	ENCLOSURE.
ENCLOSURE	

REGAL-BELOIT CORPORATION (RBC) PROVIDES TECHNICAL ASSISTANCE TO OUR CUSTOMERS IN SEVERAL AREAS. SINCE RBC DOES NOT RECEIVE ALL DATA CONCERNING THE USE AND APPLICATION OF THE MOTOR, THE SUITABILITY OF THE MOTOR FOR THE APPLICATION MUST BE DETERMINED BY THE CUSTOMER.

DIMENSIONS WITHOUT TOLERANCES ARE FOR REFERENCE ONLY.

CUSTOMER DISTRIBUTION SERVICES

DRAWING REVISION	REVISION BY	DATE
A	J.CHAI	11-06-2015
ECO	APPROVED BY	DATE
ECO-0088415	-	11-06-2015
ECO DESCRIPTION SEE ECO		

COPYRIGHT REGAL-BELOIT AMERICA, INC. ALL RIGHTS RESERVED. PROPRIETARY AND CONFIDENTIAL INFORMATION - THIS DOCUMENT IS THE PROPERTY OF REGAL-BELOIT AMERICA, INC. ("OWNER") AND CONTAINS OWNER'S PROPRIETARY INFORMATION. ANY PERSON, CORPORATION OR OTHER FIRM RECEIVING IT IS DEEMED, BY RECEIVING IT, TO AGREE THAT IT, AND/OR ANY PART OF IT, SHALL NOT BE DISCLOSED TO ANY PERSON, CORPORATION OR OTHER ENTITY, DUPLICATED, AND/OR USED, EXCEPT AS EXPRESSLY APPROVED IN WRITING IN ADVANCE BY OWNER. THIS DOCUMENT SHALL BE RETURNED TO OWNER UPON REQUEST. IT MAY BE SUBJECT TO CERTAIN RESTRICTIONS UNDER APPLICABLE EXPORT CONTROL LAWS AND REGULATIONS.

DRAWN BY: J.RUPERT	DATE: 10-01-2004
APPROVED BY: T.RILEY	DATE: 10-05-2004
PROCESS/FINISH	
THIRD ANGLE PROJECTION	

**REGAL™ Regal Beloit America, Inc.**

DESCRIPTION  
MODEL-RFHP-48FR  
OUTLINE

MATERIAL	SIZE DWG NO	SHEET
	C OKT1026	1