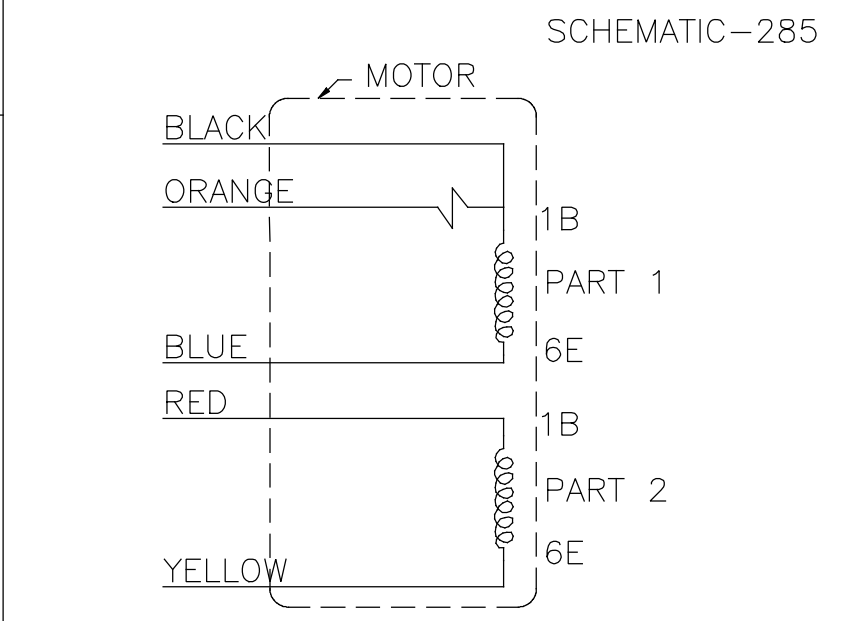
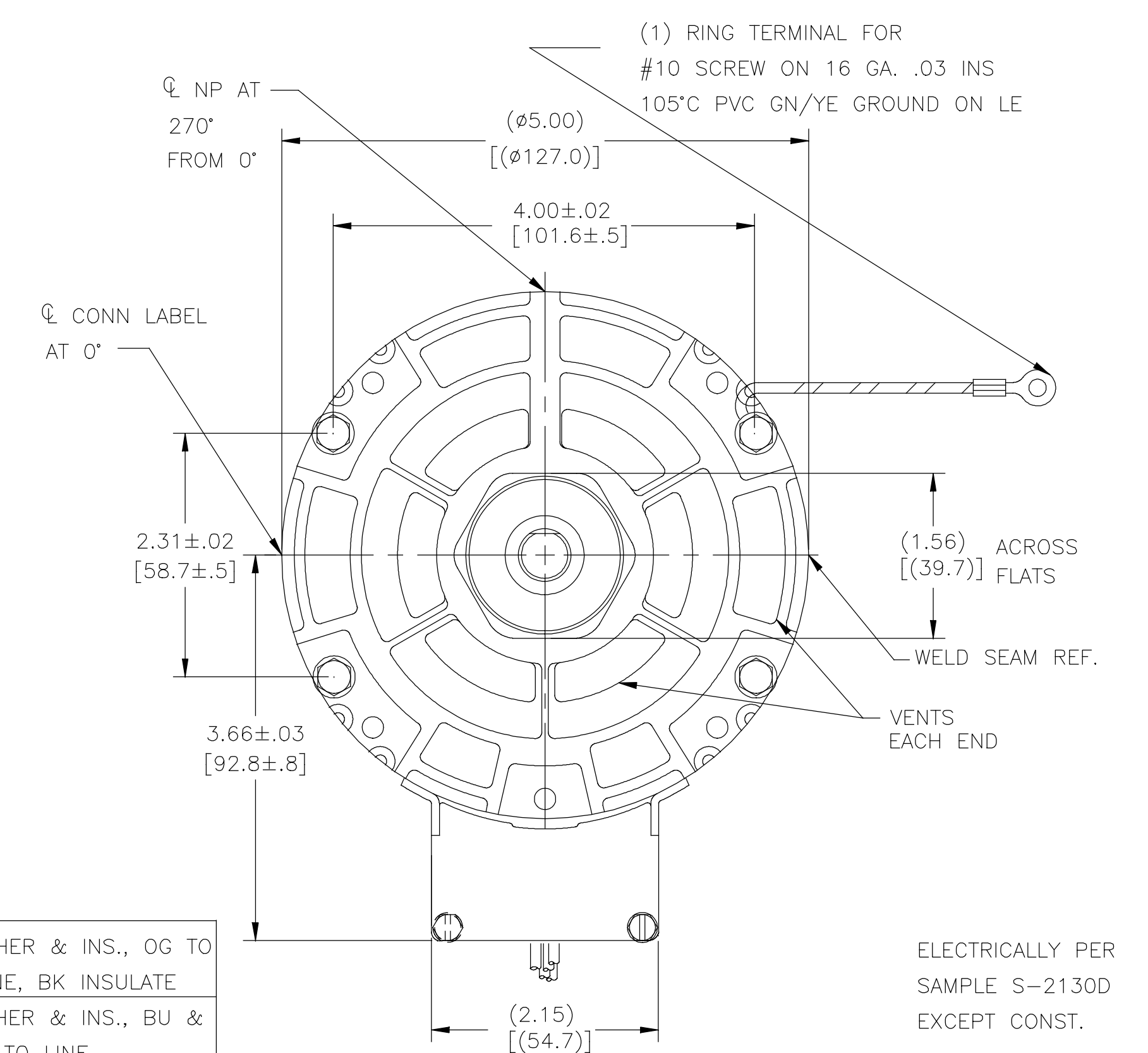
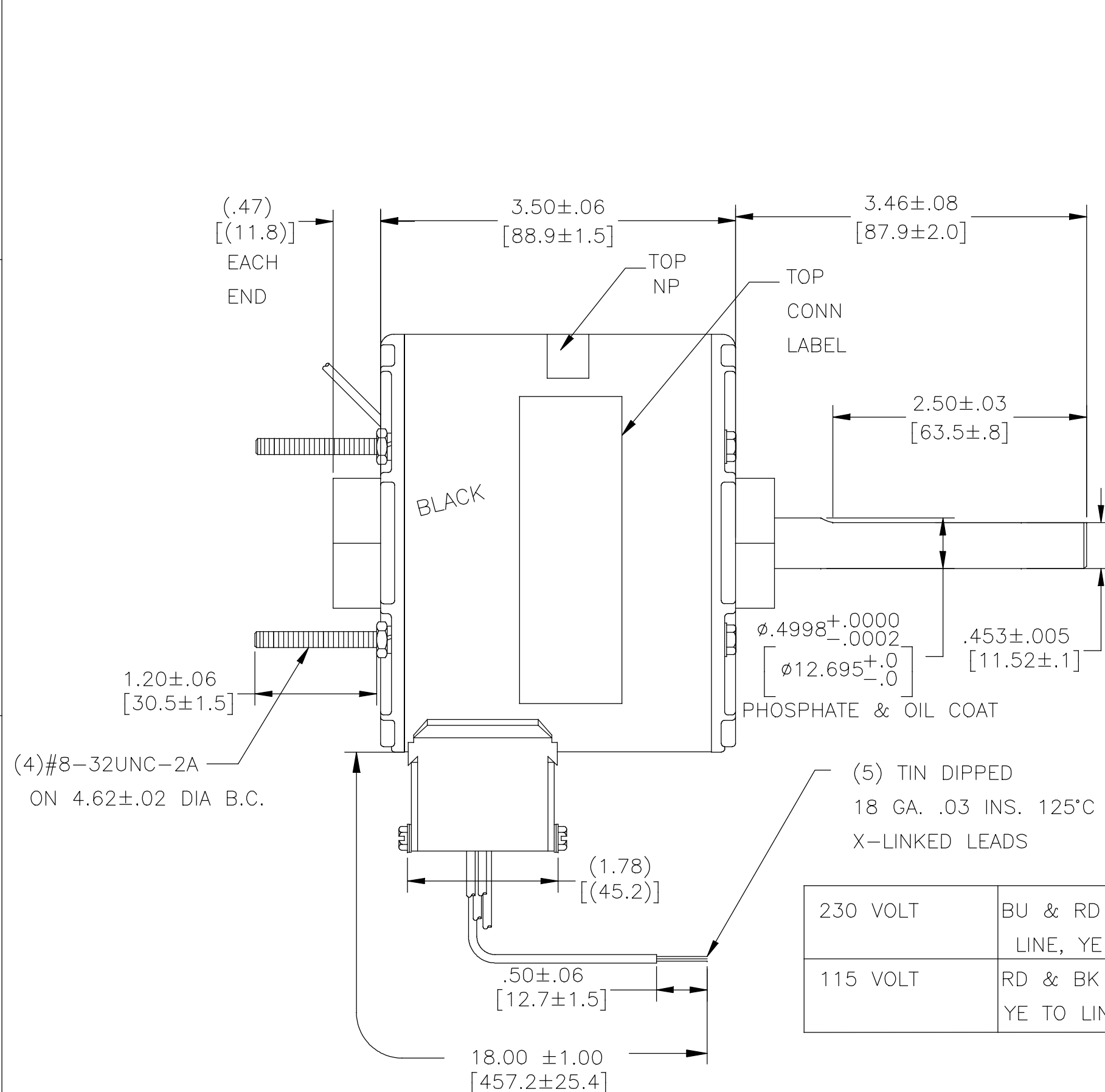


CUSTOMER IS SOLELY RESPONSIBLE FOR MOTOR PERFORMANCE AND SUITABILITY IN APPLICATIONS FOR CUSTOMER'S USES.

END PLAY .005[.13] MIN - .040[1.02] MAX  
 MAX. SHAFT RUN OUT .001[.03] PER INCH  
 MAX. RUN OUT NOT TO EXCEED .0075[.191]



REGAL-BELOIT CORPORATION (RBC) PROVIDES TECHNICAL ASSISTANCE TO OUR CUSTOMERS IN SEVERAL AREAS. SINCE RBC DOES NOT RECEIVE ALL DATA CONCERNING THE USE AND APPLICATION OF THE MOTOR, THE SUITABILITY OF THE MOTOR FOR THE APPLICATION MUST BE DETERMINED BY THE CUSTOMER.

DIMENSIONS WITHOUT TOLERANCES ARE FOR REFERENCE ONLY.

ROT.: - CWSE-CCWLE

NAMEPLATE DATA: **Century** THERMALLY PROTECTED TIPP CITY, OHIO

SER. DATE & PO# PLT LTR MODDA3G185N# STK NO. 469  
 VOLTS 115/230 HZ 60 AMPS 2.7/1.3  
 RPM 050 SP PH CAP  
 INS CL AMB °C HP 1/12 CONT A.O. ← ROTATION →  
 BRGSLV ASSEMBLED IN MEXICO

CONN LABEL 63T7432-216

DRAWING REVISION K	REVISION BY G.ZHAO	DATE 06-21-2017	DRAWN BY: DLC	REGAL™ Regal Beloit America, Inc.	
ECO ECO-0125731	APPROVED BY D.MARIO	DATE 06-21-2017			DATE: 01-06-1999
ECO DESCRIPTION SEE ECO					APPROVED BY: TLB
COPYRIGHT REGAL BELOIT AMERICA, INC. ALL RIGHTS RESERVED. PROPRIETARY AND CONFIDENTIAL INFORMATION - THIS DOCUMENT IS THE PROPERTY OF REGAL BELOIT AMERICA, INC. (OWNER) AND CONTAINS OWNER'S PROPRIETARY INFORMATION. ANY PERSON, CORPORATION OR OTHER FIRM RECEIVING IT IS DEEMED, BY RECEIVING IT, TO AGREE THAT IT, AND/OR ANY PART OF IT, SHALL NOT BE DISCLOSED TO ANY PERSON, CORPORATION OR OTHER ENTITY, DUPLICATED, AND/OR USED, EXCEPT AS EXPRESSLY APPROVED IN WRITING IN ADVANCE BY OWNER. THIS DOCUMENT SHALL BE RETURNED TO OWNER UPON REQUEST. IT MAY BE SUBJECT TO CERTAIN RESTRICTIONS UNDER APPLICABLE EXPORT CONTROL LAWS AND REGULATIONS.			DATE: 01-06-1999	DESCRIPTION MODEL-RFHP-42FR OUTLINE	
			PROCESS/FINISH	MATERIAL	
			THIRD ANGLE PROJECTION	SIZE DWG NO C DA3G7185	
				SHEET 1	