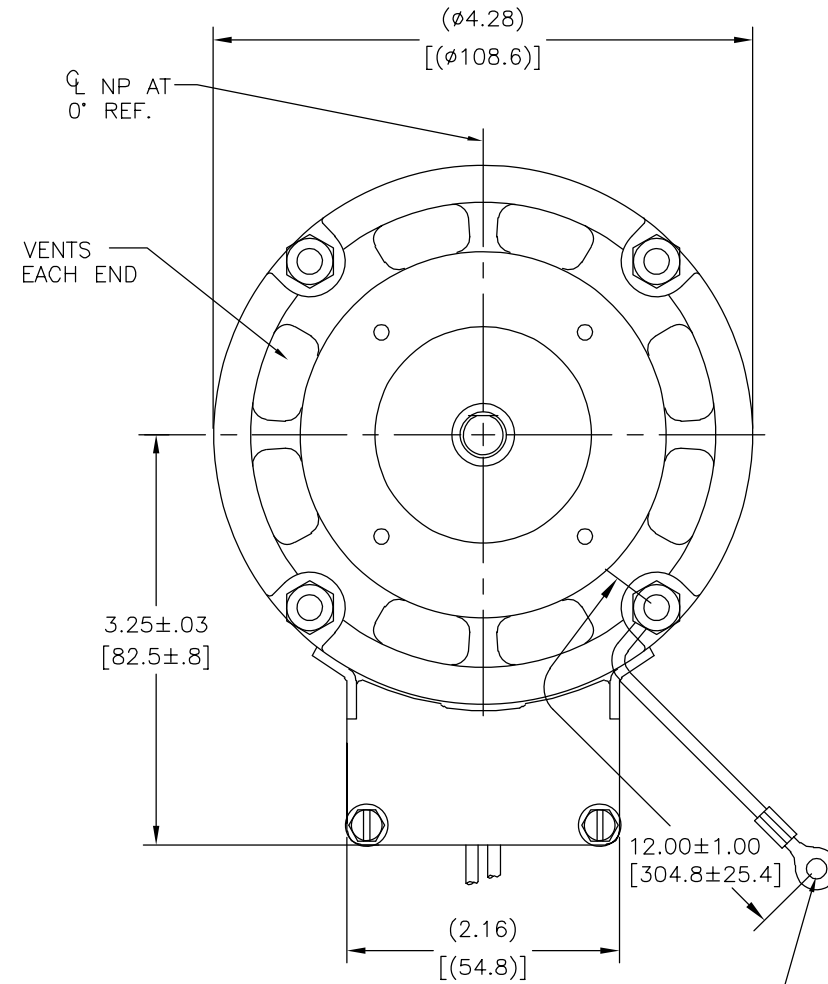
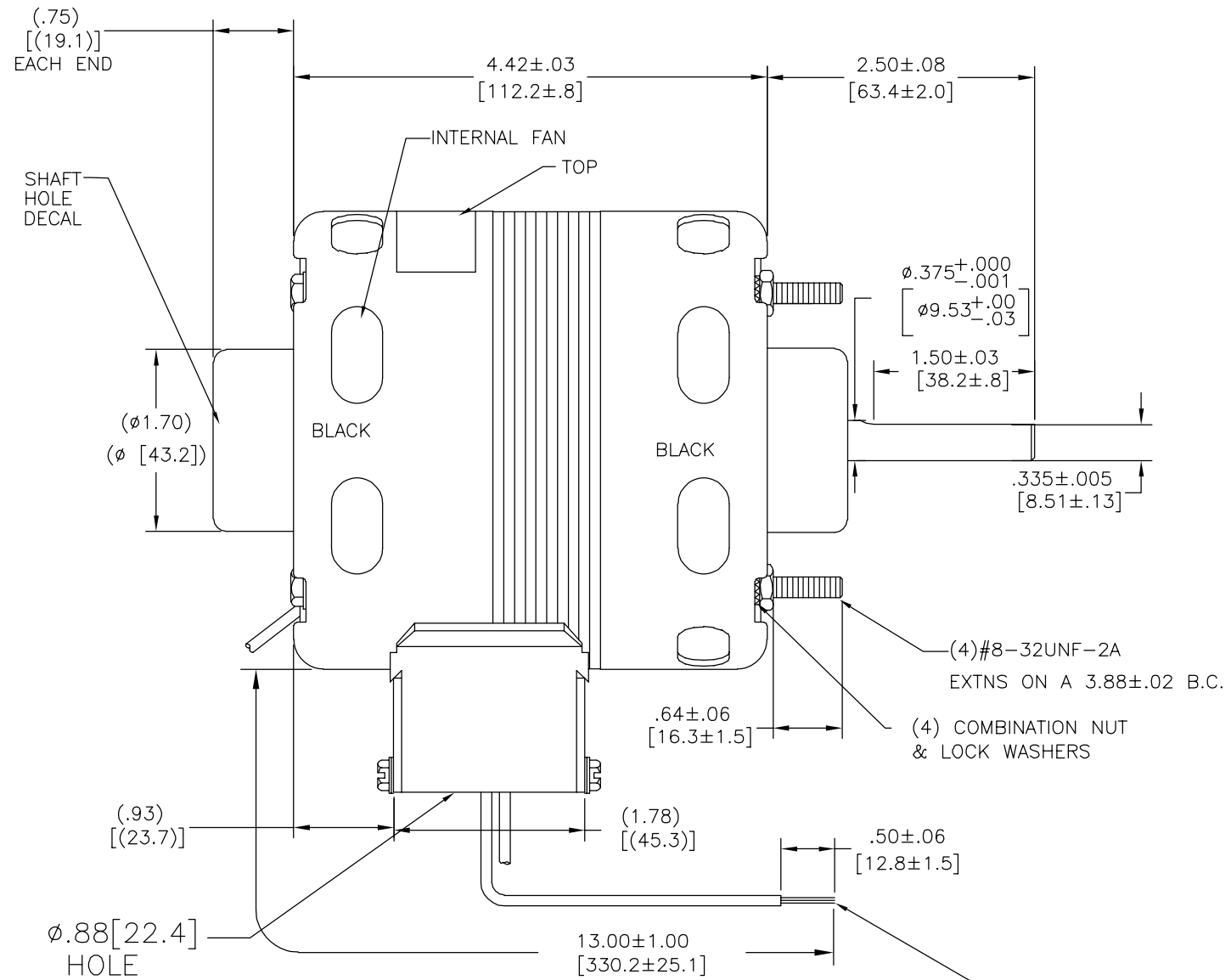


CUSTOMER IS SOLELY RESPONSIBLE FOR MOTOR PERFORMANCE AND SUITABILITY IN APPLICATIONS FOR CUSTOMER'S USES

BEARING PRELOAD OLE



NAMEPLATE DATA:

**Century**® Universal Electric® Motor Tipp City, OH  
THERMALLY PROTECTED



SER. DATE PLT MOD CB2G011N#  
115V 50/60HZ 2.1A 1550RPM 1/15HP 1PH  
BALL BEARINGS ← ROTATION → CONT A.O.  
STOCK NO. 78 ASSEMBLED IN MEXICO

ELECTRICALLY PER  
SAMPLE S-2971D

CCWLE-CWSE				BOM CHG [BJ]			
DRAWING REVISION BL	REVISION BY F.NAVARRO	DATE 06-17-2014	TOLERANCES UNLESS OTHERWISE SPECIFIED DEC. INCH mm ANGLE .X ±0.1 [±2.5] ±0.5° .XX ±0.02 [±0.51] .XXX ±0.005 [±0.127] .XXXX ±0.0005 [±0.0127]	DRAWN BY:	REGAL™ Regal Beloit America, Inc.		
ECO 0052995	APPROVED BY G.ALVIDREZ	DATE 06-17-2014	REMOVE BURRS & BREAK SHARP EDGES .003/.015 [0.076/.381] CORNER FILLETS .02 [1.51] MACHINED SURFACES .125 INCH / 3.2 mm SHOWN IN [BRACKETS]	DATE:	DESCRIPTION MODEL-SFHP-4.3 OUTLINE		
ECO DESCRIPTION SEE ECO				APPROVED BY:	MATERIAL	PROCESS/FINISH	SIZE DWG NO
<small>COPYRIGHT REGAL BELOIT AMERICA, INC. ALL RIGHTS RESERVED. PROPRIETARY AND CONFIDENTIAL INFORMATION - THIS DOCUMENT IS THE PROPERTY OF REGAL BELOIT AMERICA, INC. (OWNER) AND CONTAINS OWNER'S PROPRIETARY INFORMATION. ANY PERSON, CORPORATION OR OTHER FIRM RECEIVING IT IS DEEMED, BY RECEIVING IT, TO AGREE THAT IT, AND/OR ANY PART OF IT, SHALL NOT BE DISCLOSED TO ANY PERSON, CORPORATION OR OTHER ENTITY, DUPLICATED, AND/OR USED, EXCEPT AS EXPRESSLY APPROVED IN WRITING IN ADVANCE BY OWNER. THIS DOCUMENT SHALL BE RETURNED TO OWNER UPON REQUEST. IT MAY BE SUBJECT TO CERTAIN RESTRICTIONS UNDER APPLICABLE EXPORT CONTROL LAWS AND REGULATIONS.</small>				DATE:			78
				REFERENCE			SHEET
				THIRD ANGLE PROJECTION			1