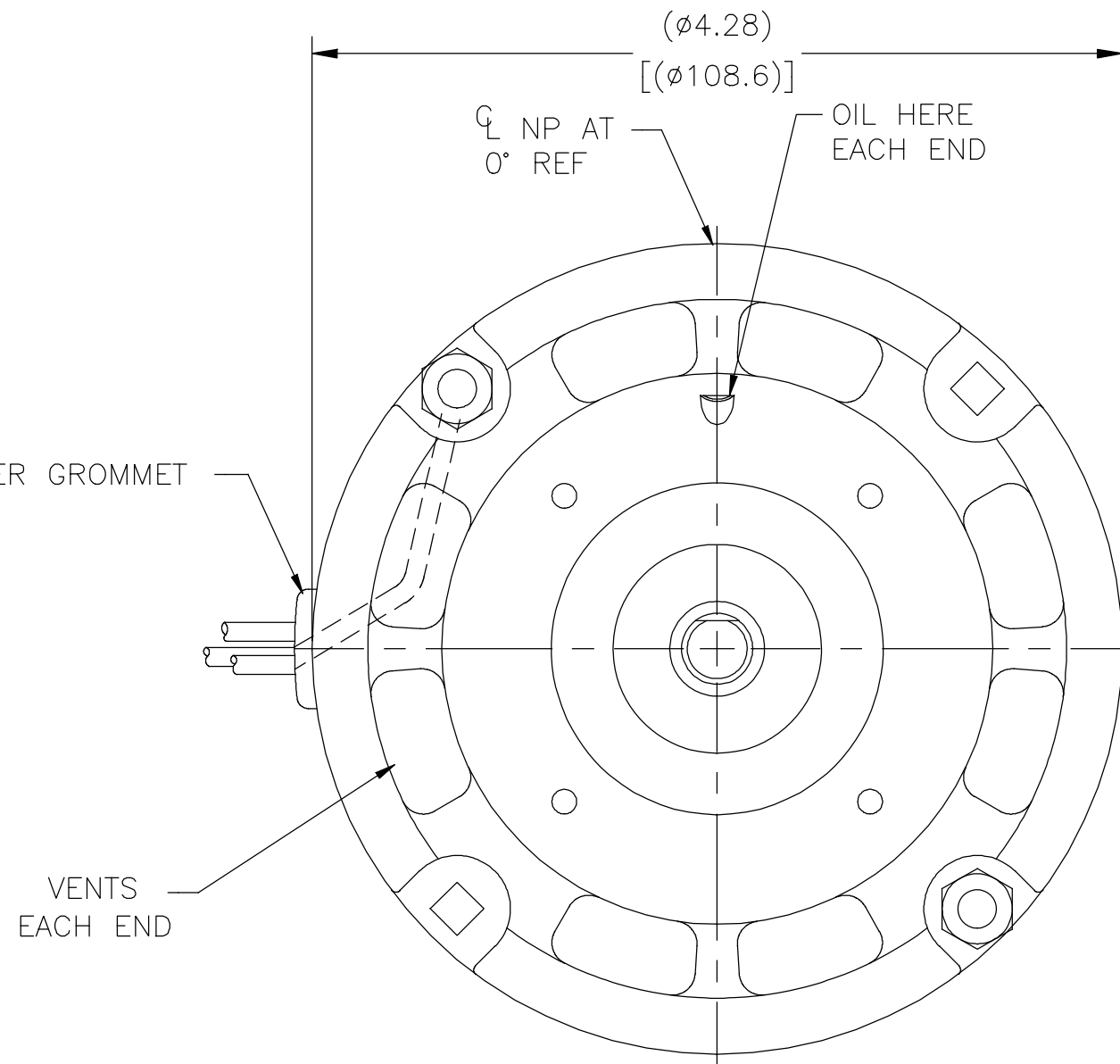
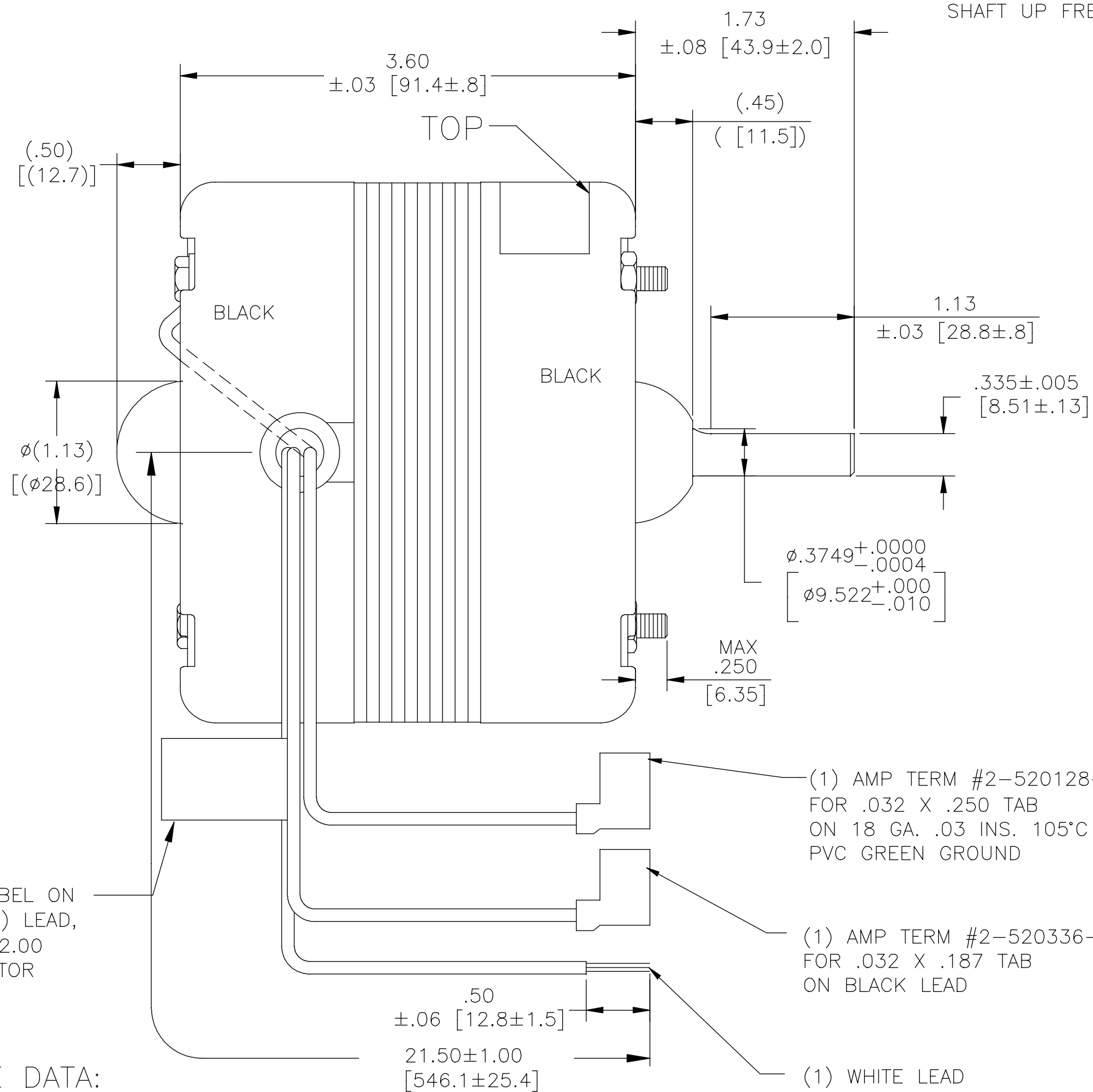


CUSTOMER IS SOLELY RESPONSIBLE FOR MOTOR PERFORMANCE AND SUITABILITY IN APPLICATIONS FOR CUSTOMER'S USES

MEASURE SHAFT IN VERTICAL SHAFT UP FREE STATE POSITION

END PLAY .04 MAX.



CONN. LABEL ON COM. (WH) LEAD, APPROX. 2.00 FROM MOTOR

(1) AMP TERM #2-520128-2 FOR .032 X .250 TAB ON 18 GA. .03 INS. 105°C PVC GREEN GROUND

(1) AMP TERM #2-520336-2 FOR .032 X .187 TAB ON BLACK LEAD

(1) WHITE LEAD NOT TIN DIPPED  
(2) 18 GA. .03 INS. 125°C CROSS-LINKED POLYETHYLENE LEADS

COLOR CODE	
BLACK	MOTOR
WHITE	MOTOR
GREEN	GROUND

NAMEPLATE DATA:



THERMALLY PROTECTED

Tipp City, OH



SER. DATE PLT MOD CA2F104N" STOCK NO 781  
115V 60HZ 2.4A 1550RPM 1/10HP CONT AO 1PH  
CLASS B INS. MAX. AMB. 40°C ASSEMBLED IN MEXICO

ELECTRICALLY PER SAMPLE S-9556D-4

CONN. LABEL  
63T473-95

CWLE-CCWSE BOM CHG [W]

DRAWING REVISION	REVISION BY	DATE	TOLERANCES UNLESS OTHERWISE SPECIFIED	DRAWN BY:	Regal Beloit America, Inc.
AA	J. HESS	06-01-2018	DEC. INCH mm ANGLE	-	
ECO	APPROVED BY	DATE	.XX ±0.1 [±2.5]	DATE:	
ECO-0144229	J. HESS	06-01-2018	.XXX ±0.02 [±0.51]	APPROVED BY:	
ECO DESCRIPTION			.XXX ±0.005 [±0.127]	DATE:	DESCRIPTION
UPDATED TITLE BLOCK			.XXXX ±0.0005 [±0.0127]	REFERENCE	OUTLINE
<small>COPYRIGHT REGAL BELOIT AMERICA, INC. ALL RIGHTS RESERVED. PROPRIETARY AND CONFIDENTIAL INFORMATION - THIS DOCUMENT IS THE PROPERTY OF REGAL BELOIT AMERICA, INC. (OWNER) AND CONTAINS OWNER'S PROPRIETARY INFORMATION. ANY PERSON, CORPORATION OR OTHER FIRM RECEIVING IT IS DEEMED, BY RECEIVING IT, TO AGREE THAT IT, AND/OR ANY PART OF IT, SHALL NOT BE DISCLOSED TO ANY PERSON, CORPORATION OR OTHER ENTITY, DUPLICATED, AND/OR USED, EXCEPT AS EXPRESSLY APPROVED IN WRITING IN ADVANCE BY OWNER. THIS DOCUMENT SHALL BE RETURNED TO OWNER UPON REQUEST. IT MAY BE SUBJECT TO CERTAIN RESTRICTIONS UNDER APPLICABLE EXPORT CONTROL LAWS AND REGULATIONS.</small>			REMOVE BURRS & BREAK SHARP EDGES .003/.015 [0.076/.381] X 45°	MATERIAL	PROCESS/FINISH
			CORNER FILLETS R.02 [51]	THIRD ANGLE PROJECTION	MATERIAL
			MACHINED SURFACES 125/INCH 3.2/mm	SIZE DWG NO	CA2F104
			mm SHOWN IN [BRACKETS]	SHEET	1