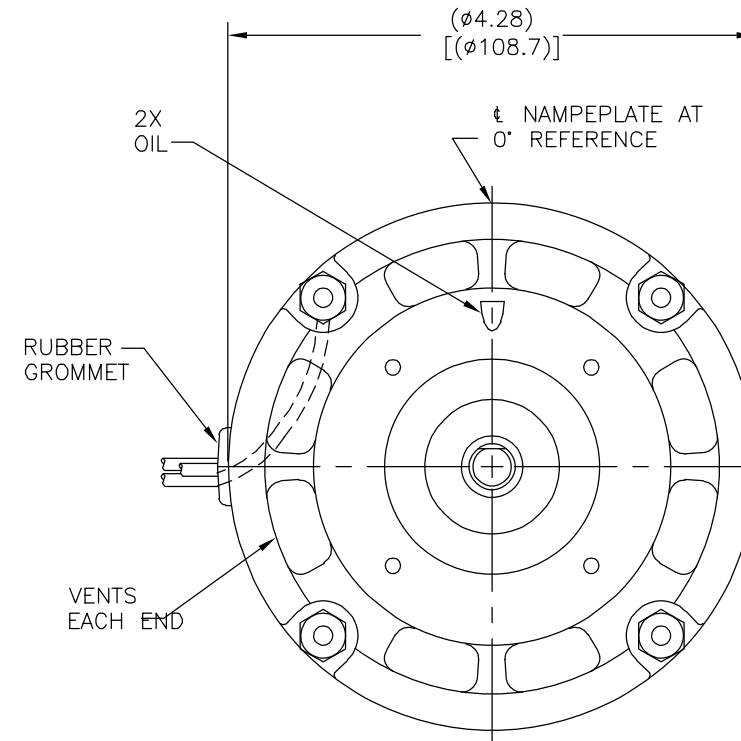
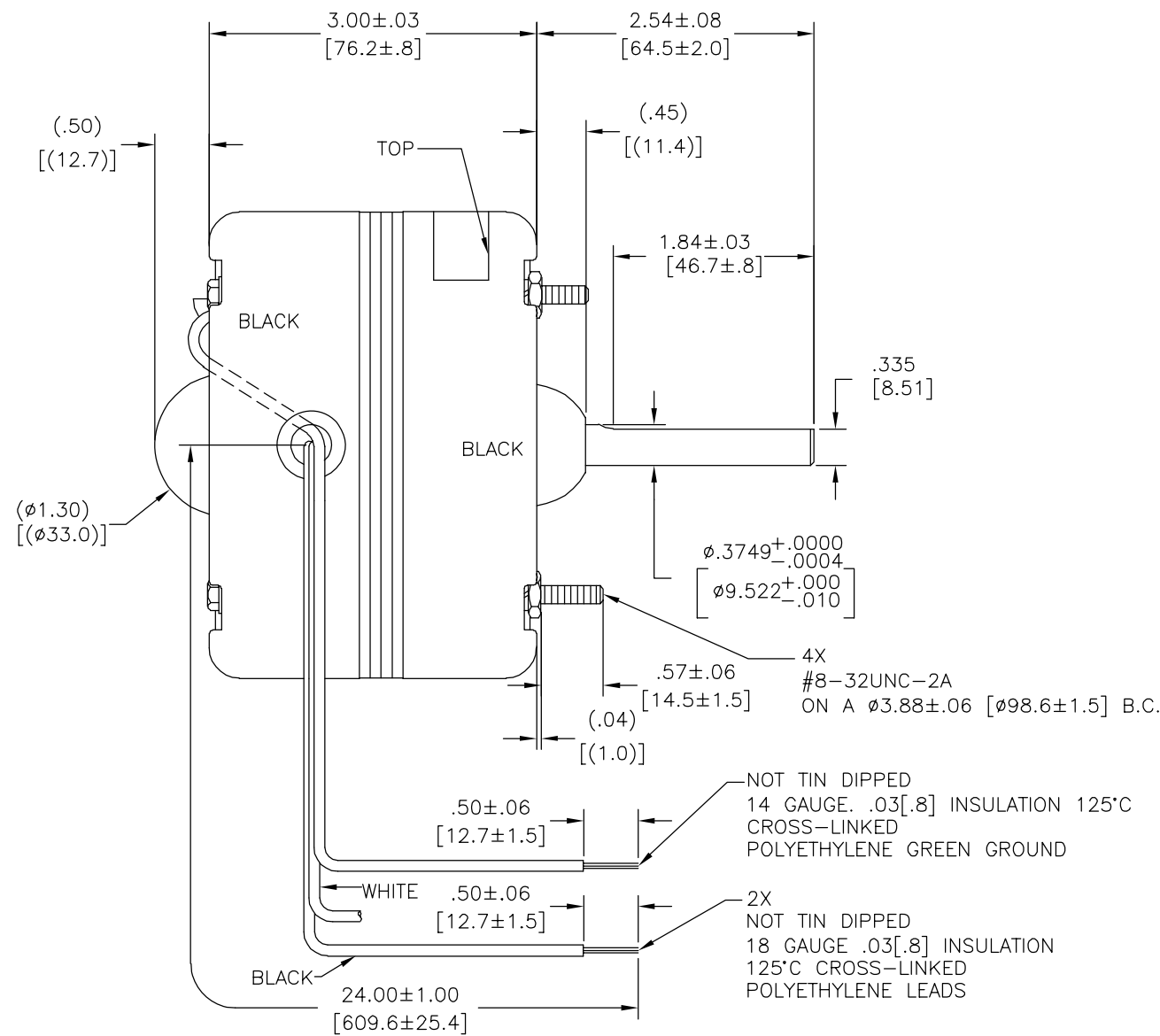


CUSTOMER IS SOLELY RESPONSIBLE FOR MOTOR PERFORMANCE AND SUITABILITY IN APPLICATIONS FOR CUSTOMER'S USES

REV	ECO	REV BY	DATE	APPD	DATE
BL	0027378	H.REN	07-13-2012	B.SHEN	07-13-2012

END PLAY .04[1.0] MAXIMUM



NOTE:
1. DISTRIBUTION PART NUMBER: 484
GRAINGER PART NUMBER: 4VA17

CWLE-CCWSE

NAMEPLATE DATA:



THERMALLY PROTECTED

Tipp City, OH

SEE NOTE 1

SER. DATE, PLT MOD CA2E128N" CONT AO
115V 60HZ 2.3A 1550RPM 1/15HP 1PH
-ROTATION- CLASS B INS. ASSEMBLED IN MEXICO

ELECTRICALLY PER SAMPLE S-734D

COLOR CODE	
BLACK	MOTOR
WHITE	MOTOR
GREEN	GROUND

GEOMETRIC CHARACTERISTICS & SYMBOLS	
□	FLATNESS
-	STRAIGHTNESS
∠	ANGULARITY
⊥	PERPENDICULARITY (SQUARENESS)
//	PARALLELISM
○	ROUNDNESS (CIRCULARITY)
⊘	CYLINDRICITY
△	PROFILE OF ANY SURFACE
∧	PROFILE OF ANY LINE
↗	RUNOUT
⊕	TRUE POSITION
⊙	CONCENTRICITY
≡	SYMMETRY

UNLESS OTHERWISE SPECIFIED DIM. TOLERANCES ARE AS FOLLOWS:	
INCH	±.1 ±.02 ±.005 ±.0005
mm	±0.5 ±0.13 ±0.013
ANG. ±.50 DEG	
REMOVE BURRS & BREAK SHARP EDGES:	
INCH	.003-.015 mm 0.1-0.4
CORNER FILLETS TO:	
INCH	.020 mm 0.5
MACHINE SURFACES:	
INCH	125 mm 3.2
METRIC DIMS. SHOWN IN [BRACKETS]	

DR BY:	AJB
APPD:	
THIRD ANGLE PROJECTION	EDS DATE 11-11-2011 FORMAT REV H
CONFIDENTIAL: THIS DRAWING AND ITS INFORMATION ARE THE EXCLUSIVE AND CONFIDENTIAL PROPERTY OF REGAL-BELOIT CORPORATION AND ARE NOT TO BE DISCLOSED, DUPLICATED, DISTRIBUTED OR OTHERWISE USED WITHOUT THE WRITTEN CONSENT OF REGAL-BELOIT CORPORATION. -ALL RIGHTS RESERVED.	

REGAL REGAL-BELOIT CORPORATION	
DESCRIPTION OUTLINE	
SIZE C	DWG NO CA2E128
SCALE NONE	SHEET 1

4

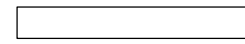
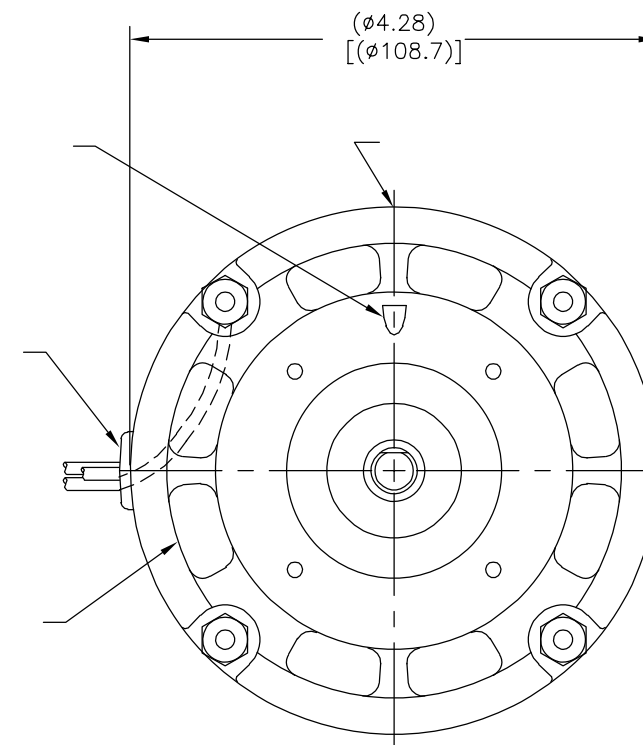
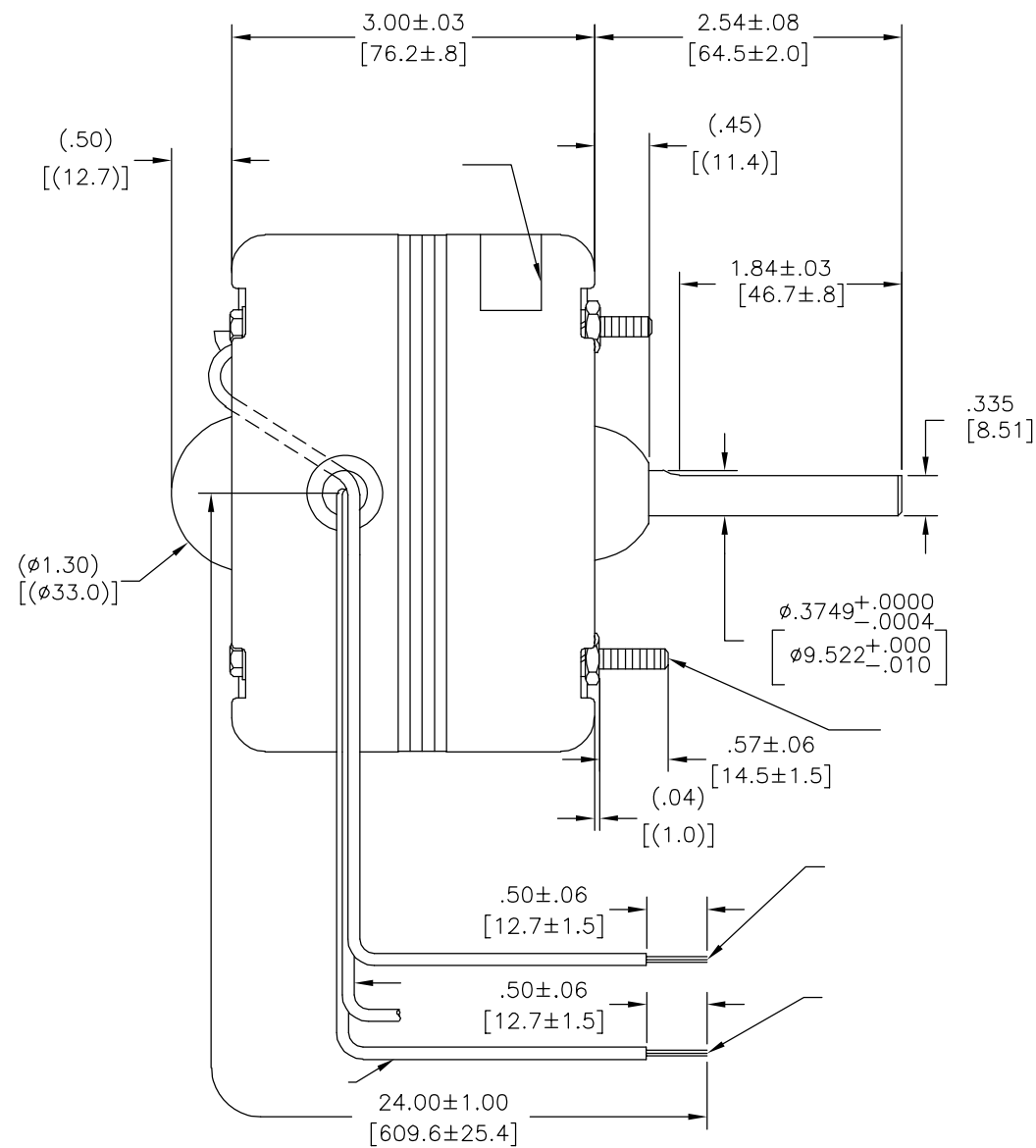
3

2

1

CUSTOMER IS SOLELY RESPONSIBLE FOR MOTOR PERFORMANCE AND SUITABILITY IN APPLICATIONS FOR CUSTOMER'S USES

REVISION:	ECO	REVISADO POR:	FECHA:	APROBADO POR:	FECHA:
BL	0027378	H.REN	07-13-2012	B.SHEN	07-13-2012



THERMALLY PROTECTED

Tipp City, OH

SER. DATE, PLT MOD CA2E128N" CONT AO
 115V 60HZ 2.3A 1550RPM 1/15HP 1PH
 -ROTATION- CLASS B INS. ASSEMBLED IN MEXICO



CARACTERISTICAS DE GEOMETRIA Y SIMBOLOS	
□	PLANICIDAD
-	RECTITUD
∠	ANGULARIDAD
⊥	PERPENDICULARIDAD (A ESCUADRA)
//	PARALELISMO
○	REDONDEZ (CIRCULARIDAD)
⊘	CILINDRICIDAD
△	PERFIL DE CUALQUIER SUPERFICIE
∧	PERFIL DE CUALQUIER LINEA
∧	VARIACION
+	POSICION REAL
⊙	CONCENTRICIDAD
=	SIMETRIA

A MENOS QUE SE ESPECIFIQUE DE OTRA MANERA, LAS TOLERANCIAS DE LAS DIMS; SON LAS SIGUIENTES:
 PULG ±.1 ±.02 ±.005 ±.0005
 mm ±0.5 ±0.13 ±0.013
 ANG. ±.50 GRADOS
 ELIMINAR REBABAS Y ORILLAS FILOSAS DEL BORDE.
 PULG .003-.015 mm 0.1-0.4
 FILETEAR ESQUINA: PULG .020 mm 0.5
 MAQUINAR SUPERFICIES
 PULG 125 mm .32
 DIMS METRICAS MOSTRADAS [PARENTESIS]

DIBUJADO POR:	AJB
APROBADO POR:	
TERCER ANGULO DE PROYECCION	
FECHA EDS:	11-11-2011
REV. FORMATO:	H
CONFIDENCIAL: ESTE DIBUJO Y SU INFORMACION SON PROPIEDAD DE USO EXCLUSIVO Y CONFIDENCIAL DE REGAL-BELOIT CORPORATION. Y NO DEBERAN SER REVELADOS, DUPLICADOS, DISTRIBUIDOS O USARSE DE OTRA MANERA SIN EL CONSENTIMIENTO ESCRITO DE REGAL-BELOIT CORPORATION. -TODOS LOS DERECHOS RESERVADOS.	

REGAL-BELOIT CORPORATION	
DESCRIPCION: OUTLINE	
TAMAÑO: C	NUMERO DE DIBUJO: CA2E128
ESCALA: NONE	HOJA: 1

4

3

2

1

4

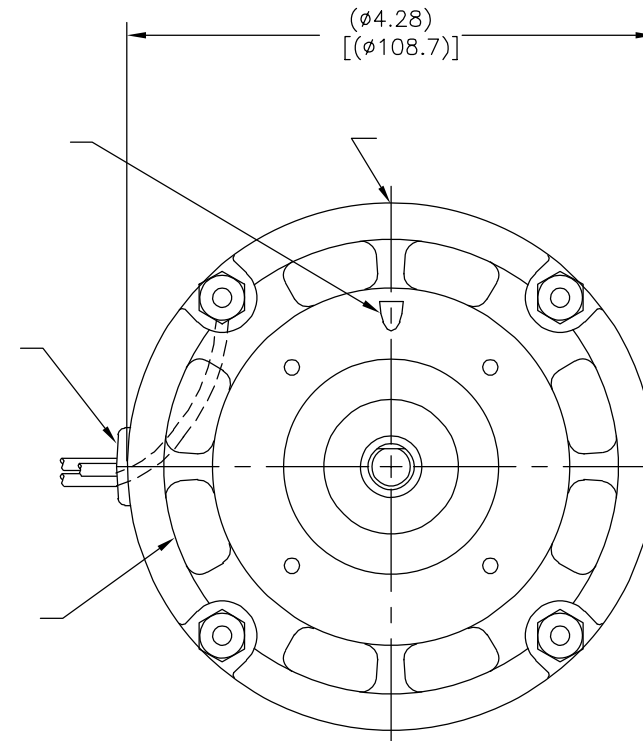
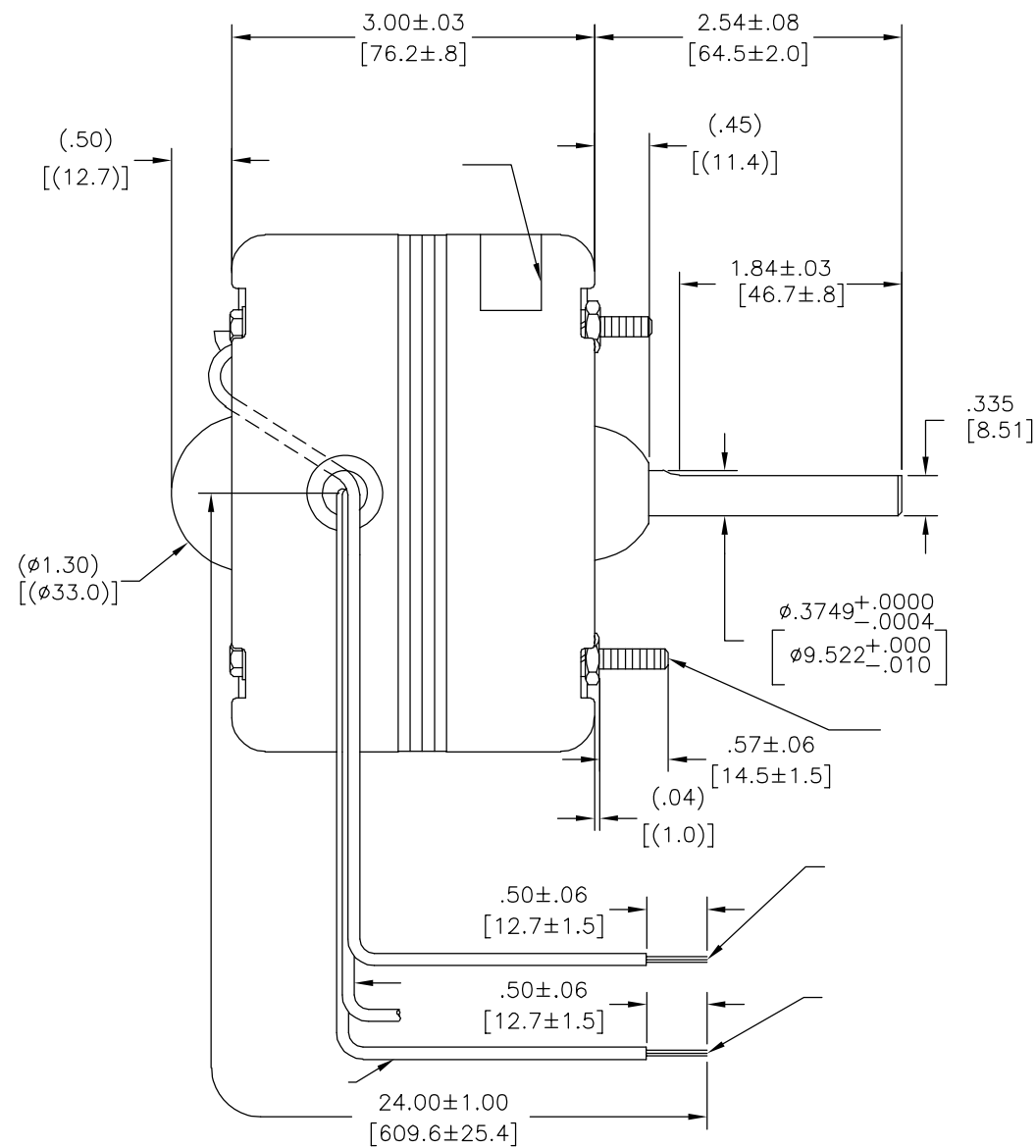
3

2

1

CUSTOMER IS SOLELY RESPONSIBLE FOR MOTOR PERFORMANCE AND SUITABILITY IN APPLICATIONS FOR CUSTOMER'S USES

版本	ECO	编制	日期	批准	日期
BL	0027378	H.REN	07-13-2012	B.SHEN	07-13-2012



THERMALLY PROTECTED
 SER. DATE, PLT MOD CA2E128N" CONT AO
 115V 60HZ 2.3A 1550RPM 1/15HP 1PH
 CLASS B INS. ASSEMBLED IN MEXICO

Tipp City, OH



形位公差	除另有注明 尺寸公差如下:
□ 平面度	英寸 ±.1 .XX .XXX .XXXX
— 直线度	毫米 ±0.5 ±0.13 ±0.013
∠ 倾斜度	角度 ±.50 度
⊥ 垂直度	清理毛刺和尖棱
∥ 平行度	英寸 .003-.015 毫米 0.1-0.4
○ 圆度	内圆角
⊘ 圆柱度	英寸 .020 毫米 0.5
△ 面轮廓度	表面粗糙度
∩ 线轮廓度	英制 125 米制 3.2
⤴ 圆跳动	米制尺寸显示在 []
⊕ 位置度	
⊙ 同轴度	
≡ 对称度	

ASME Y14.5M 1994

绘图:	AJB
批准:	
第三角投影	
图纸格式发布日期	11-11-2011
图纸格式版本	H
机密: 本图纸及相关信息所有权归REGAL-BELOIT CORPORATION 未经REGAL-BELOIT CORPORATION书面授权, 不得泄露、 复制、传播或作其他用途。—版权所有	

REGAL-BELOIT CORPORATION	
名称	OUTLINE
图幅	C
图号	CA2E128
比例	NONE
页号	1

4

3

2

1