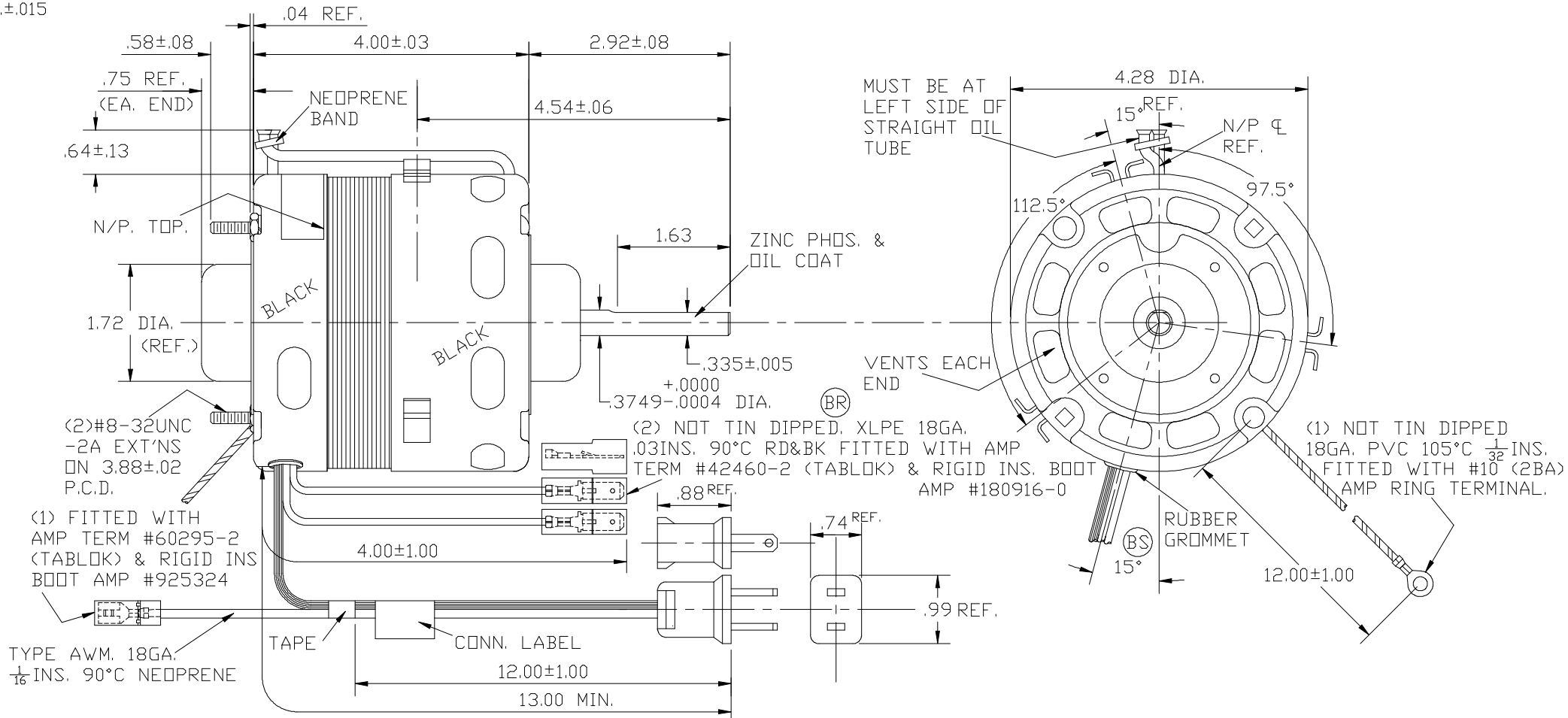


Gainsborough, Lincs DN21 1XU. UK
Tel.: +44(0)1427 614141 Fax.: +44(0)1427 617513

CUSTOMER IS SOLELY RESPONSIBLE FOR MOTOR PERFORMANCE AND SUITABILITY IN APPLICATIONS FOR CUSTOMER'S USES.

ENDPLAY .04 MAX.

TOL.±.015



ALL DIMENSIONS IN INCHES UNLESS STATED.

ELEC. AS SAMPLE P03165

ROTATION CCWLE-CWSE

ISSUE 'BU' 16 JUL 12

REGAL - LAVERGNE

NAMEPLATE DATA:





SER DDDYYGB-sonum-J674 MOD CA3J674N# STOCK No 97
 115V 60HZ 4.0A 1050RPM 1PH CONT A.O.
 BK-HIGH 4.0A 1/12HP. RD-LOW 1.6A 1/25HP.
 THERMALLY PROTECTED. MADE IN UK. WARRANTY VOID IF REMOVED