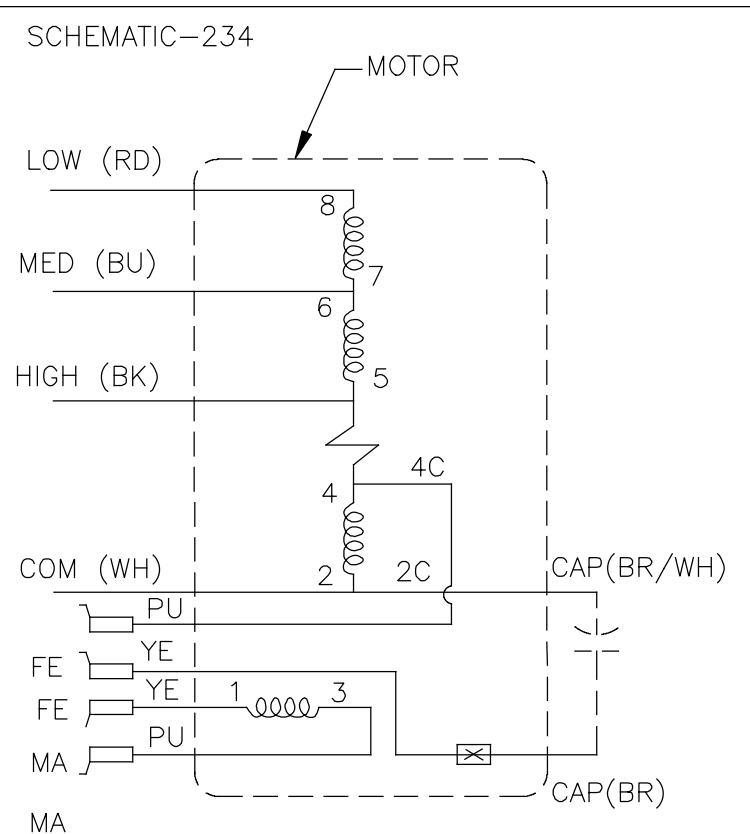
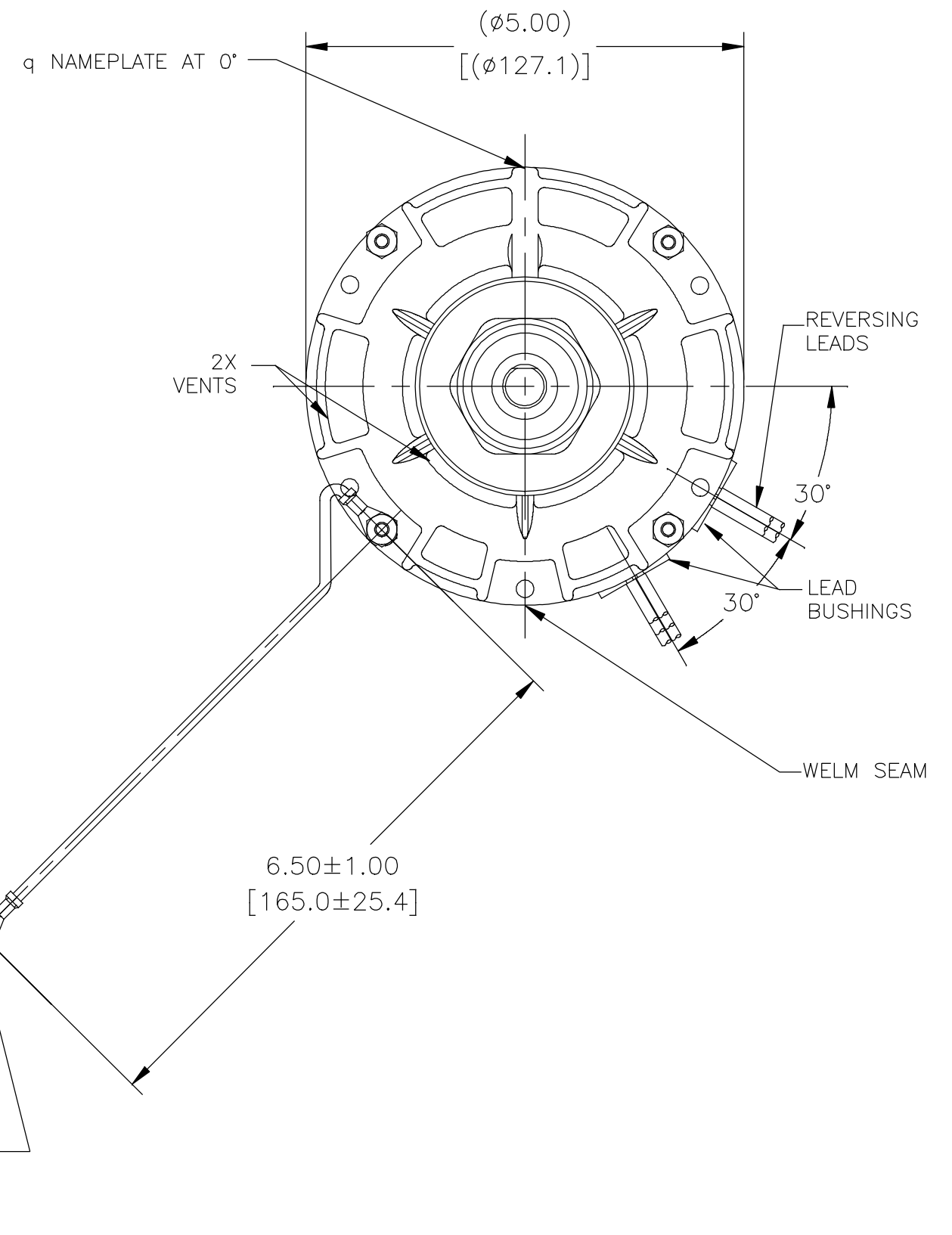
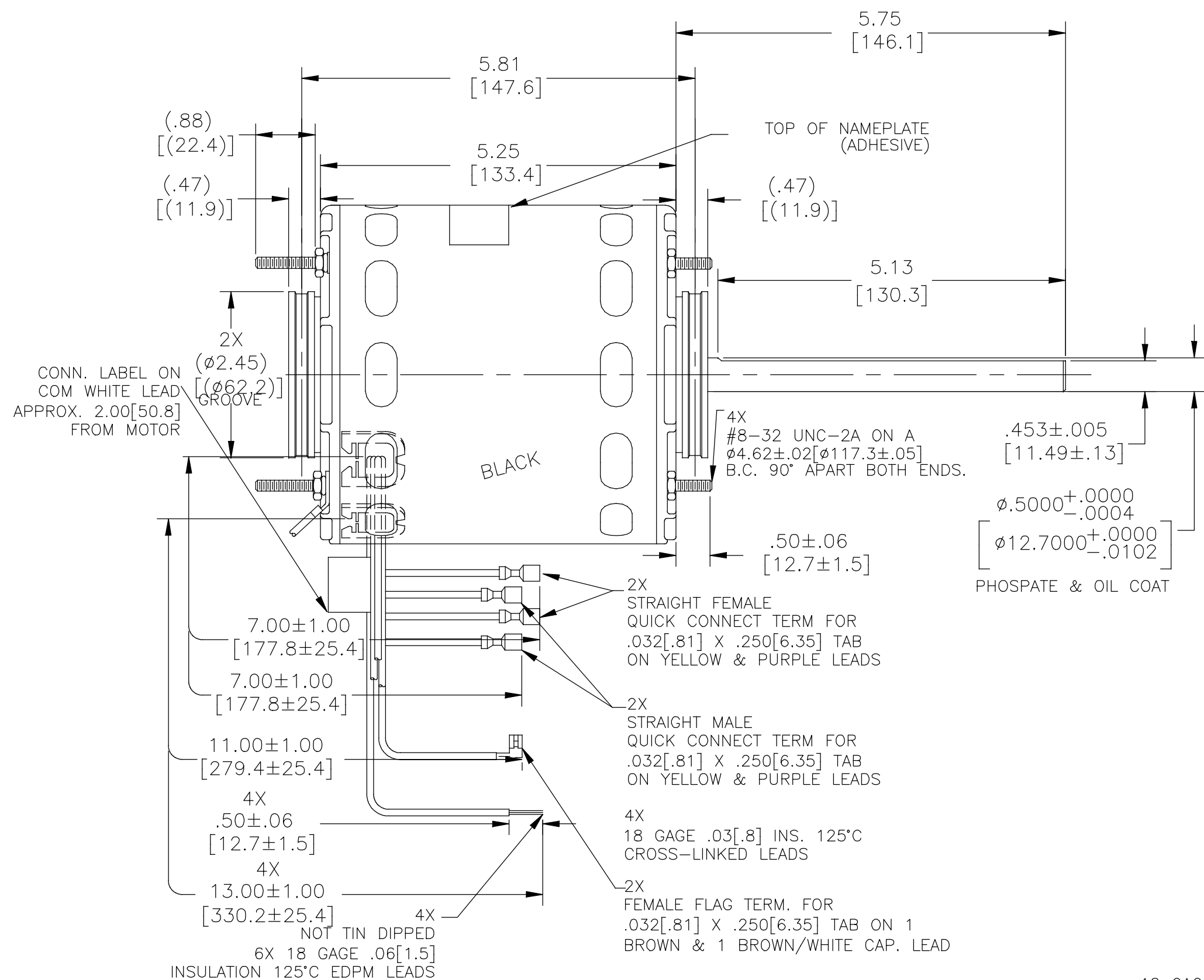


CUSTOMER IS SOLELY RESPONSIBLE FOR MOTOR PERFORMANCE AND SUITABILITY IN APPLICATIONS FOR CUSTOMER'S USES

END PLAY .005[.13] MINIMUM-.040 [1.02] MAXIMUM  
MAXIMUM SHAFT RUN OUT .001[.03] PER INCHES  
MAXIMUM RUN OUT NOT EXCEED .010[.25]



NOTE:  
1. DISTRIBUTION PART NUMBER: 9716  
GRAINGER PART NUMBER: 4UY20

CCWLE	PLUG IN YELLOW LEAD TO PURPLE LEAD
CWLE	PLUG IN PURPLE LEAD TO PURPLE LEAD

CONNECTION LABEL  
63T7433-305

ROT: REVERSIBLE

NAMEPLATE DATA:



Tipp City, OH  
THERMALLY PROTECTED



SER. DATE & PO# PLT LTR MOD DE2F107N' [ ]  
VOLTS 115 HZ 60 AMPS 4.0  
RPM 1625 SP3 PH1 CAP 7.5 MFD/370 VAC  
INS CL B AMB 40°C HP 1/4 CONT A.0 ← ROTATION →  
BRG SLV ASSEMBLED IN MEXICO

DRAWING REVISION	REVISION BY	DATE
B	HANNA.ZOU	07-25-2018
ECO	APPROVED BY	DATE
ECO-0149422	DEXIAN.LI	07-25-2018
ECO DESCRIPTION		
SEE ECO		

COPYRIGHT REGAL BELOIT AMERICA, INC. ALL RIGHTS RESERVED.  
PROPRIETARY AND CONFIDENTIAL INFORMATION - THIS DOCUMENT IS THE PROPERTY OF REGAL BELOIT AMERICA, INC. (OWNER) AND CONTAINS OWNER'S PROPRIETARY INFORMATION. ANY PERSON, CORPORATION OR OTHER FIRM RECEIVING IT IS DEEMED, BY RECEIVING IT, TO AGREE THAT IT, AND/OR ANY PART OF IT, SHALL NOT BE DISCLOSED TO ANY PERSON, CORPORATION OR OTHER ENTITY, DUPLICATED, AND/OR USED, EXCEPT AS EXPRESSLY APPROVED IN WRITING IN ADVANCE BY OWNER. THIS DOCUMENT SHALL BE RETURNED TO OWNER UPON REQUEST. IT MAY BE SUBJECT TO CERTAIN RESTRICTIONS UNDER APPLICABLE EXPORT CONTROL LAWS AND REGULATIONS.

DRAWN BY:	E.V.
DATE:	10-28-2014
APPROVED BY:	F.PAYAN
DATE:	10-28-2014
REFERENCE	
THIRD ANGLE PROJECTION	

<b>REGAL</b> ™ Regal Beloit America, Inc.	
DESCRIPTION	MODEL-RFHP-42FR OUTLINE
MATERIAL	PROCESS/FINISH
SIZE	DWG NO
C	9716
SHEET	1