

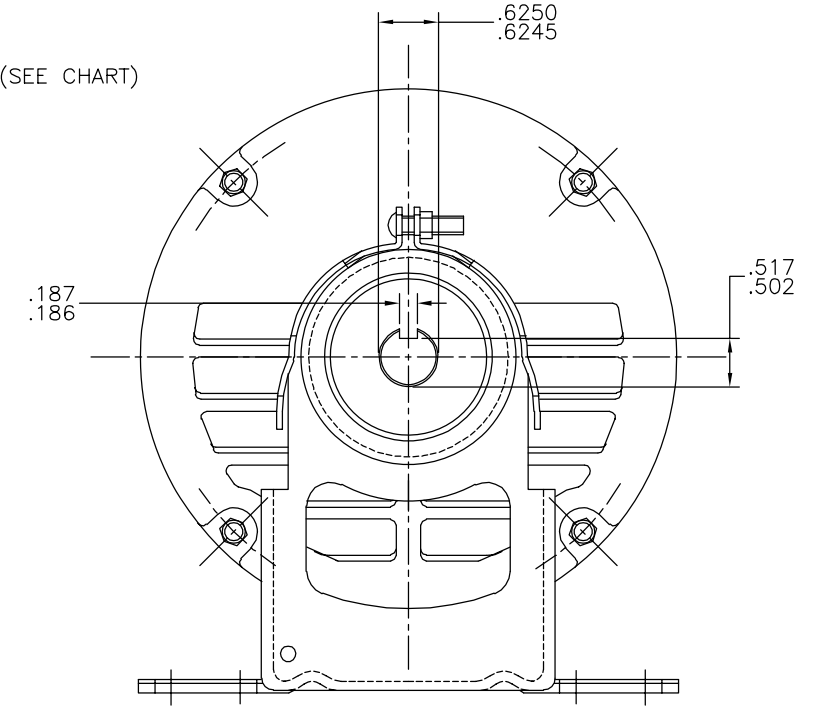
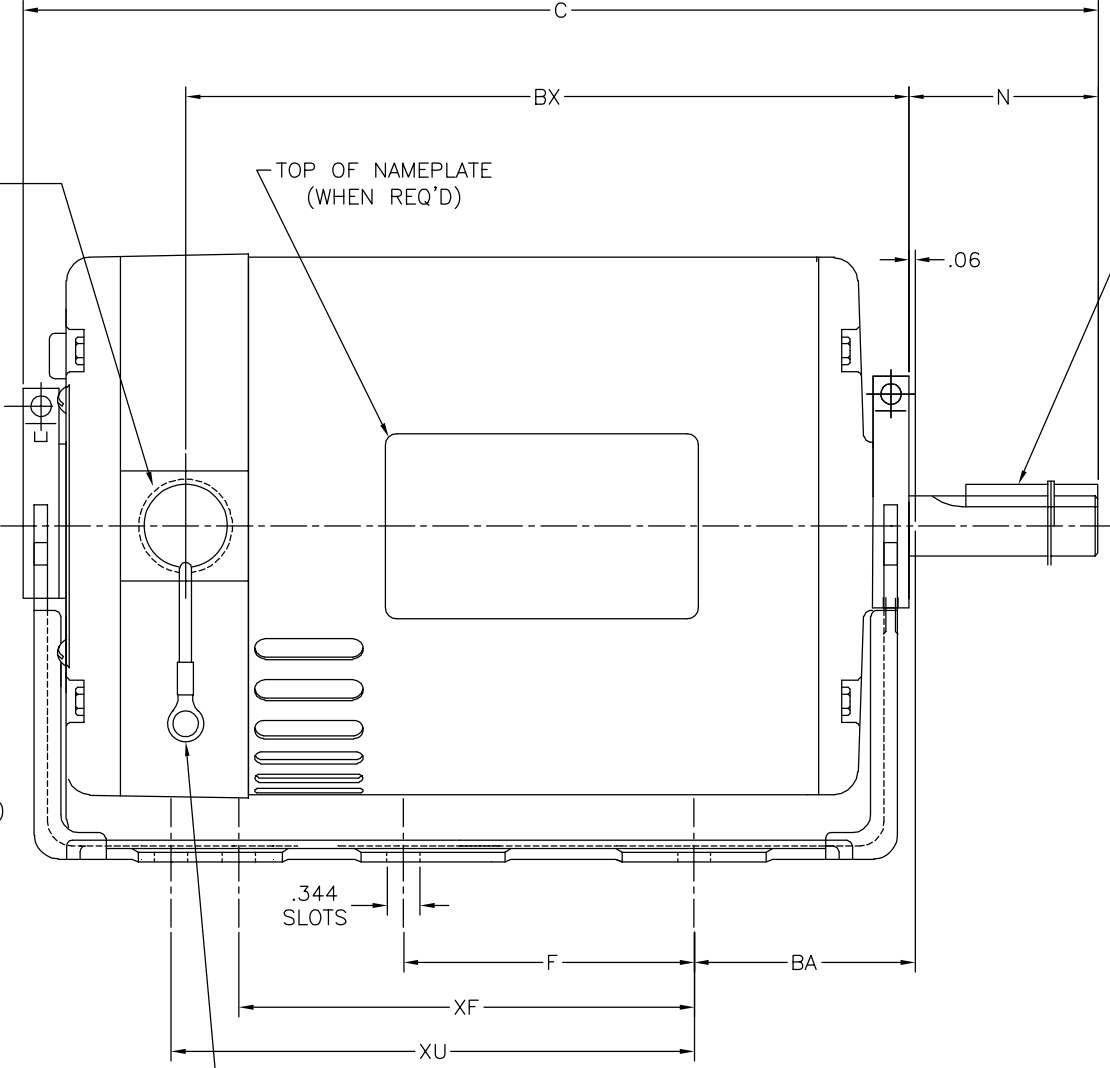
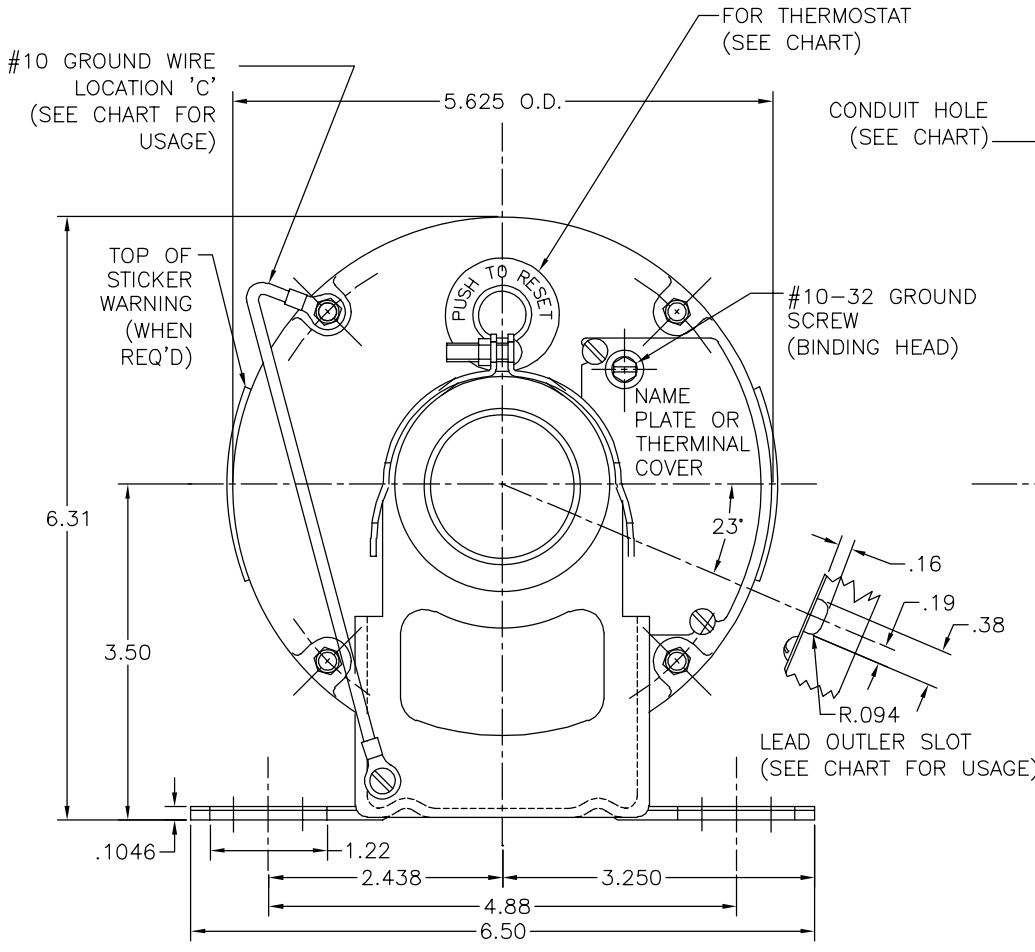
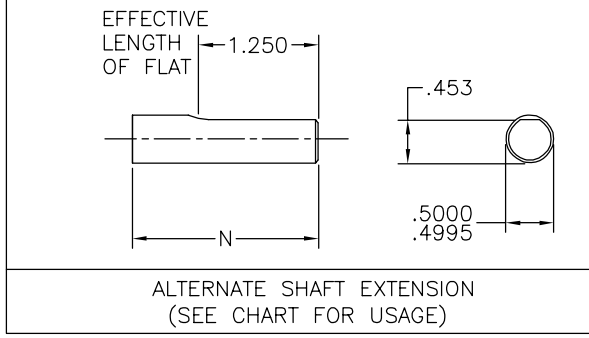
REV	ECO	REV BY	DATE	APPD	DATE
AJ	0025364	A.CHEN	04-16-2012	B.SHEN	04-16-2012

NOTES:
ON ALL POLYPHASE MODELS LEADS TO EXTEND 6"±0 INTO CONDUIT BOX.

FINISH PAINT TO BE BLACK LACQUER UNLESS OTHERWISE SPECIFIED IN REMARKS COLUMN.

LIMITS ON AMPLITUDE OF VIBRATION MEASURED AT BEARING HOUSING = .001

CARBON STEEL SHAFT UNLESS OTHERWISE SPECIFIED IN REMARKS COLUMN.



#14 AWG GREEN GROUND LEAD TO EXT. 20". BEYOND CONDUIT HOLE PROVIDED WITH RING TERMINAL TO FIT #10 SCREW (SEE CHART FOR USAGE). LOCATION "B"

.75	115/208-230	60	1∅	3450	DUAL	SHIELDED BALL	56	AUTO-RESET	11.44	2.75	3	OMIT	OMIT	7.88	1.94	OMIT	.19	.19	1.38	OMIT	.875 DIA HOLE	OMIT	-	U.C.	BLOWER	C	U.L. APPROVED	11210	
H.P.	VOLTS	CYC.	PHASE	R.P.M.	ROT P.E.	BEARINGS	FRAME	THERMOSTAT	C	BA	F	XF	XU	BX	N	ALTER. SHAFT EXT.	KEY	WIDTH	THICK	LENGTH	LEAD OUTLET SLOT	CONDUIT HOLE	LUBRICATION STICKER	CONN. PLATE	TYPE	CHARACTERISTICS	GROUND WIRE LOC.	REMARKS	NOTICE NO.

GEOMETRIC CHARACTERISTICS & SYMBOLS
 □ FLATNESS
 — STRAIGHTNESS
 ∠ ANGULARITY
 ⊥ PERPENDICULARITY (SQUARENESS)
 // PARALLELISM
 ○ ROUNDNESS (CIRCULARITY)
 ⌀ CYLINDRICITY
 ≡ PROFILE OF ANY SURFACE
 ⤴ PROFILE OF ANY LINE
 ↗ RUNOUT
 ⊕ TRUE POSITION
 ⊙ CONCENTRICITY
 = SYMMETRY

UNLESS OTHERWISE SPECIFIED DIM. TOLERANCES ARE AS FOLLOWS:
 INCH ±.1 ±.02 ±.005 ±.0005
 mm ±0.5 ±0.13 ±0.013
 ANG. ±.50 DEG
 REMOVE BURRS & BREAK SHARP EDGES:
 INCH .003-.015 mm 0.1-0.4
 CORNER FILLETS TO:
 INCH .020 mm 0.5
 MACHINE SURFACES:
 INCH 125 mm 3.2

DR BY: R.LEWIS
 APPD: HAS
 EDS DATE 09-30-1966
 11-11-2011
 FORMAT REV G
 THIRD ANGLE PROJECTION

REGAL-BELOIT CORPORATION
 DESCRIPTION: OUTLINE
 SIZE: D
 DWG NO: 10778-002
 SCALE: NONE
 SHEET: 1

D
C
B
A

D
C
B
A

