

4

3

2

1

REV	ECO	REV BY	DATE	APPD	DATE
A	ECO-0039382	Y.LI	10-10-2013	B.SHEN	10-10-2013

GENERAL INFORMATION:

SHAFT RUNOUT: .001[.03] T.I.R. PER INCH LENGTH OF EXTENSION

BEARINGS: BALL

MOUNTING POSITION: HORIZONTAL

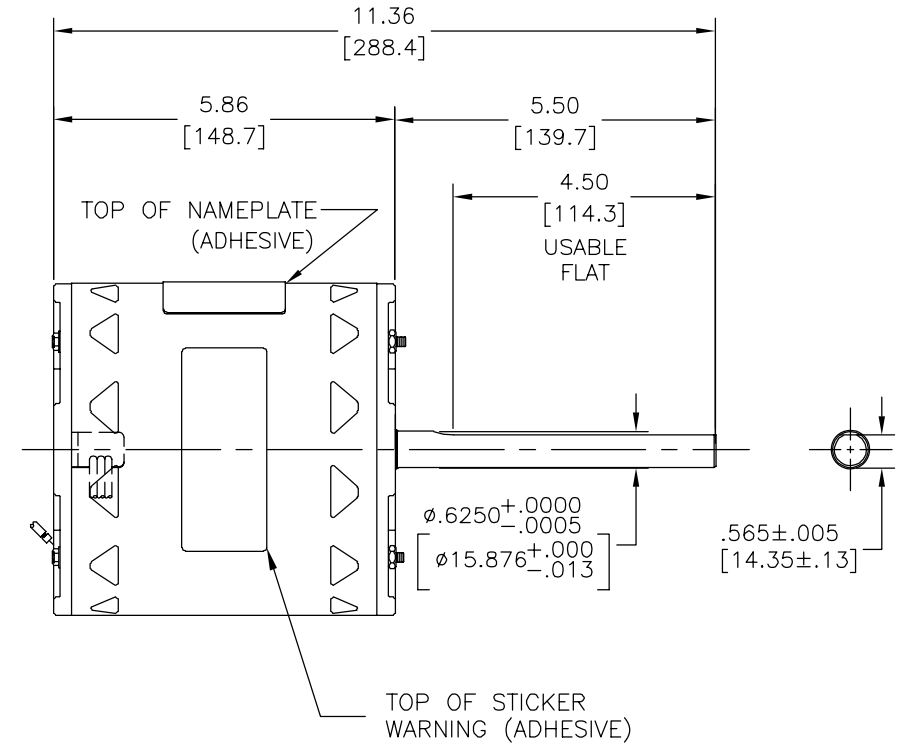
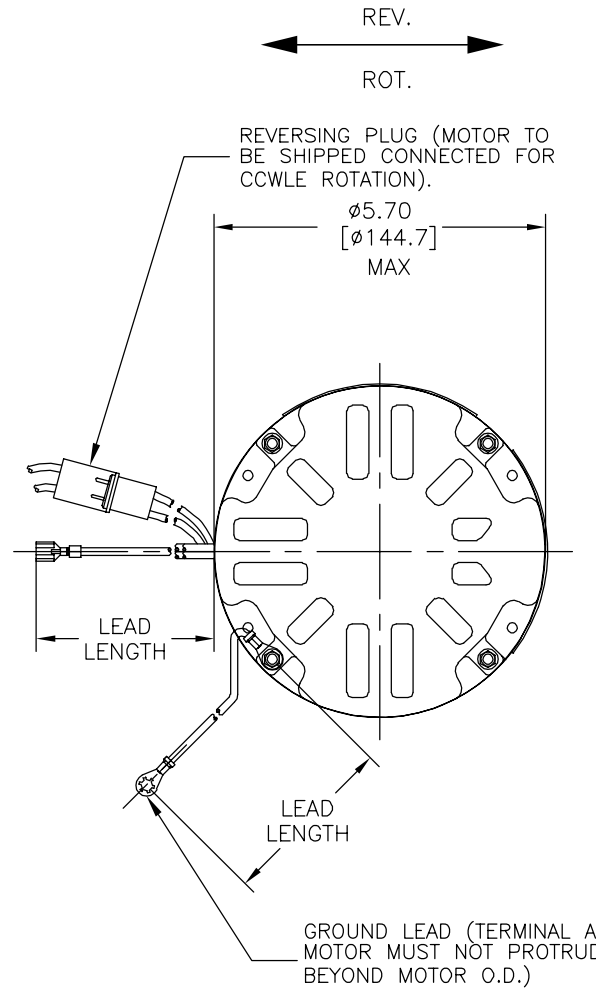
ELECTRICAL DATA:

OVERLOAD PROTECTOR: AUTOMATIC RESET (SENSATA 7AM 304)

LINE LEADS: NO. 18 GA., .06[1.5] THK. EPDM 125°C INSUL.

REVERSING PLUGS: NO. 18 GA., .03[.8] THK. XLP 125°C INSUL.

GROUND LEAD: NO. 18 GA., .03[.8] THK. (GREEN) INSUL.



NAMEPLATE DATA:	EXTERNAL CONNECTION DIAGRAM
MODEL NO.: F48SQ6V59X2 CUST. P/N: OHQ1056 HP: 1/2 ROT.: REVERSIBLE RPM: 1050/4 SPD. TYPE: UF FRAME: 48Y VOLTS: 115 PH: 1 AMPS: 11.0 HZ: 60 INS.: A AMB.: 40°C DUTY: AIR OVER CAP.: 15MFD/370V ENCL: OPEN UL LOGO CSA LOGO THERMALLY PROTECTED	SEP. CAP. BROWN BRN/WHT YELLOW BLACK HI BLUE MI-HI RED MI-LO ORANGE LO ROTATION BLACK CCWLE WHITE CWLE BLACK WHITE BLACK WHITE 614131-110

GREEN (GROUND)	12.0/13.0 [305/330]	#10 EYELET
BLACK/WHITE	3.0/5.0 [76/127]	REVERSING PLUG
BROWN	24.0/26.0 [610/660]	.25[6.4] FEMALE SPADE
BROWN/WHITE	24.0/26.0 [610/660]	.25[6.4] FEMALE SPADE
RED	24.0/26.0 [610/660]	.25[6.4] FEMALE SPADE
BLACK	24.0/26.0 [610/660]	.25[6.4] FEMALE SPADE
WHITE	24.0/26.0 [610/660]	.25[6.4] FEMALE SPADE
COLOR	LENGTH	TERMINAL OR STRIP LENGTH

MAIN FRAME - OLE	OPEN
END FRAME - OLE	OPEN
MAIN FRAME - LE	OPEN
END FRAME - LE	OPEN

CUSTOMER	DISTRIBUTION SERVICE
----------	----------------------

PERFORMANCE CURVE NO.	TORQUE @ 1050 RPM (25°C)	APPROVED SAMPLE	UL COMPONENT FILE #	CCN #	CSA FILE #	CLASS #
C23781	68.0 OZ. FT.	EX11813	E46412	PRGY2	LR43341	4211-01

GEOMETRIC CHARACTERISTICS & SYMBOLS

- FLATNESS
- STRAIGHTNESS
- ∠ ANGULARITY
- ⊥ PERPENDICULARITY (SQUARENESS)
- ∥ PARALLELISM
- ROUNDNESS (CIRCULARITY)
- ⊘ CYLINDRICITY
- △ PROFILE OF ANY SURFACE
- ▽ PROFILE OF ANY LINE
- ↗ RUNOUT
- ⊕ TRUE POSITION
- ⊙ CONCENTRICITY
- ≡ SYMMETRY

ASME Y14.5M 1994

REGAL-BELOIT CORPORATION (RBC) PROVIDES TECHNICAL ASSISTANCE TO OUR CUSTOMERS IN SEVERAL AREAS. SINCE RBC DOES NOT RECEIVE ALL DATA CONCERNING THE USE AND APPLICATION OF THE MOTOR, THE SUITABILITY OF THE MOTOR FOR THE APPLICATION MUST BE DETERMINED BY THE CUSTOMER.

DIMENSIONS WITHOUT TOLERANCES ARE FOR REFERENCE ONLY.

DR BY: GORDON 02-06-2004

APPD: GAP 02-23-2004

THIRD ANGLE PROJECTION

EDS DATE 11-11-2011
FORMAT REV H

CONFIDENTIAL: THIS DRAWING AND ITS INFORMATION ARE THE EXCLUSIVE AND CONFIDENTIAL PROPERTY OF REGAL-BELOIT CORPORATION AND ARE NOT TO BE DISCLOSED, DUPLICATED, DISTRIBUTED OR OTHERWISE USED WITHOUT THE WRITTEN CONSENT OF REGAL-BELOIT CORPORATION. -ALL RIGHTS RESERVED.

REGAL REGAL-BELOIT CORPORATION

DESCRIPTION: MODEL-RFHP-48FR OUTLINE

SIZE C DWG NO OHQ1056

SCALE NONE SHEET 1

4

3

2

1