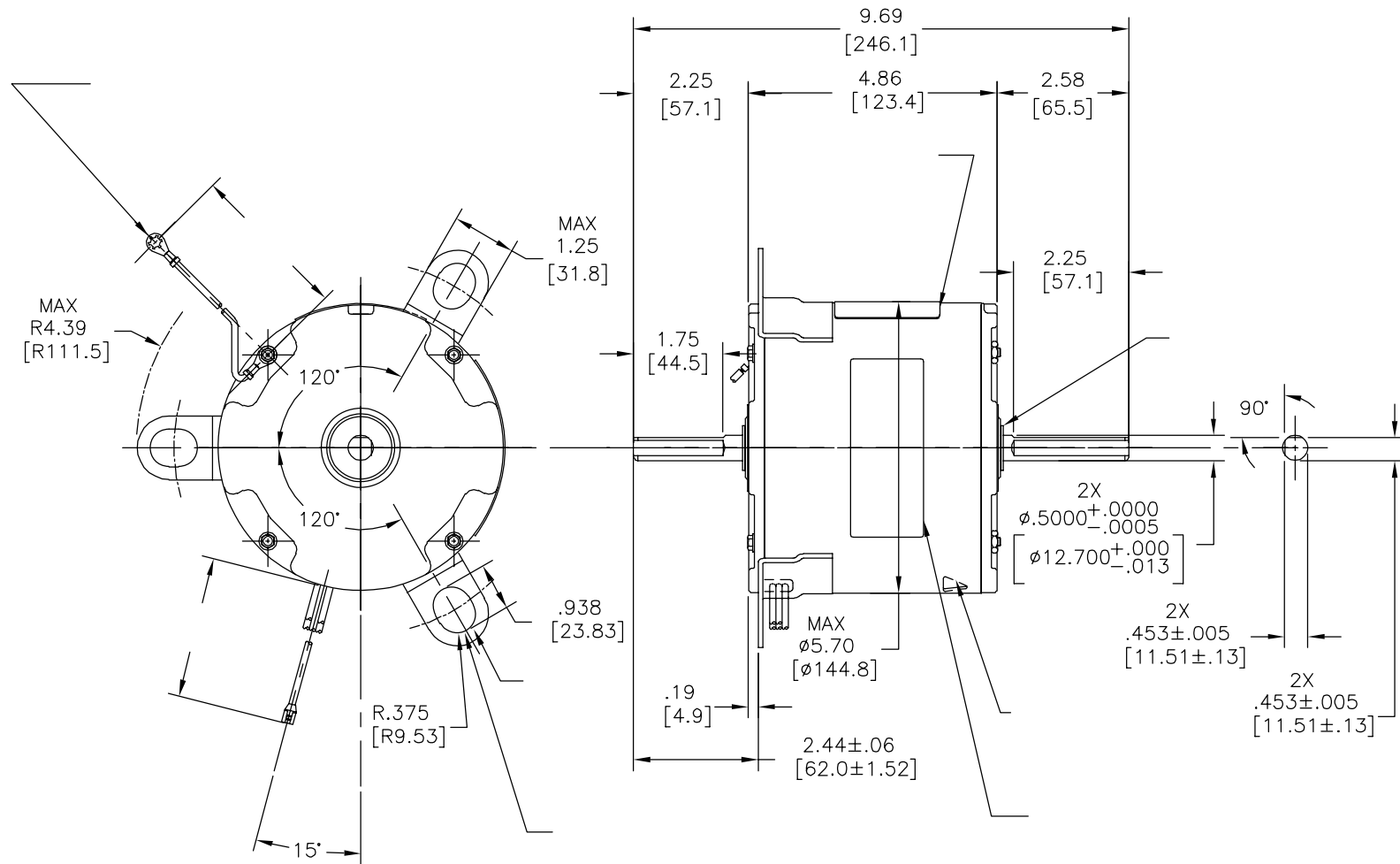
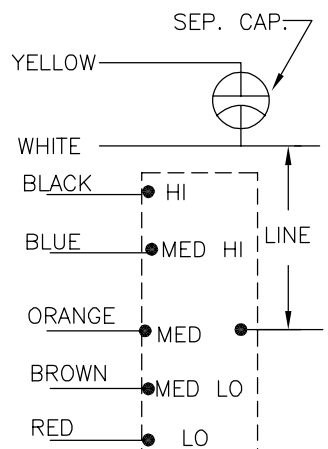


版本	ECO	编制	日期	批准	日期
C	0038889	F.NAVARRO	10-07-2013	T.REYES	10-07-2013



MODEL NO.: F48SN6L30
 CUST. P/N: []
 HP: 1/3
 ROT: CCWLE
 RPM: 1075/5 SPD.
 TYPE: UF
 FRAME: 48Y
 VOLTS: 230
 PH: 1
 AMPS: 1.8 (2.5 MAX.)
 HZ: 60
 INS: B
 AMB: 40 °C
 DUTY: AIR OVER
 CAP.: 5 MFD/370VAC
 UL LOGO
 CSA LOGO
 THERMALLY PROTECTED



614131-114

	7.0/8.0	
	[178/203]	
	20.0/22.0	
	[508/559]	
	32.0/34.0	
	[813/864]	
	32.0/34.0	
	[813/864]	
	32.0/34.0	
	[813/864]	
	32.0/34.0	
	[813/864]	
	32.0/34.0	
	[813/864]	
	32.0/34.0	
	[813/864]	

				CSA	
				FILE #	CLASS #
C23843	29.6 OZ. FT.	EX11892-2	E46412	PRGY2	LR433414211-010

- 形位公差
- 平面度
- 直线度
- ∠ 倾斜度
- ⊥ 垂直度
- // 平行度
- 圆度
- ⊘ 圆柱度
- ⊙ 圆跳动
- △ 面轮廓度
- ∩ 线轮廓度
- ↗ 圆跳动
- ⊕ 位置度
- ⊙ 同轴度
- ≡ 对称度

ASME Y14.5M 1994

REGAL-BELOIT CORPORATION (RBC) 在个别领域为客户提供技术支持。鉴于RBC未收到任何涉及电机使用和应用环境的数据，电机的适用性由客户自己决定。

未注公差尺寸仅供参考。

绘图: DZ 02-10-2011
 批准: DZ 02-10-2011
 第三角投影
 图纸格式发布日期 11-11-2011
 图纸格式版本 H
 机密: 本图纸及相关信息所有权归REGAL-BELOIT CORPORATION。未经REGAL-BELOIT CORPORATION书面授权, 不得泄露、复制、传播或作其他用途。—版权所有



名称: MODEL-RFHP-48FR OUTLINE

图幅: C 图号: OFR1036

比例: NONE 页号: 1

4

3

2

1

GENERAL INFORMATION:

SHAFT RUNOUT: .001[.03] T.I.R. PER INCH LENGTH OF EXTENSION.
 END PLAY: .010[.25] TO .063[1.60]
 BEARINGS: SLEEVE
 MOUNTING POSITION: HORIZONTAL

ELECTRICAL DATA:

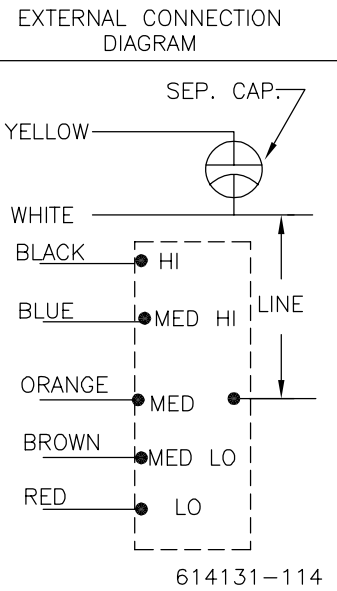
OVERLOAD PROTECTOR: AUTOMATIC RESET (SENSATA 7AM 032)
 LEADS: NO. 18 GA., .06[1.5] THK. INSUL. 125°C
 GROUND LEAD: NO. 18 GA., .03[.8] THK. (GREEN) INSUL.

NOTE:
 1. DISTRIBUTION: CUST. P/N: OFR1036
 GRAINGER: CUST. P/N: 4ME10

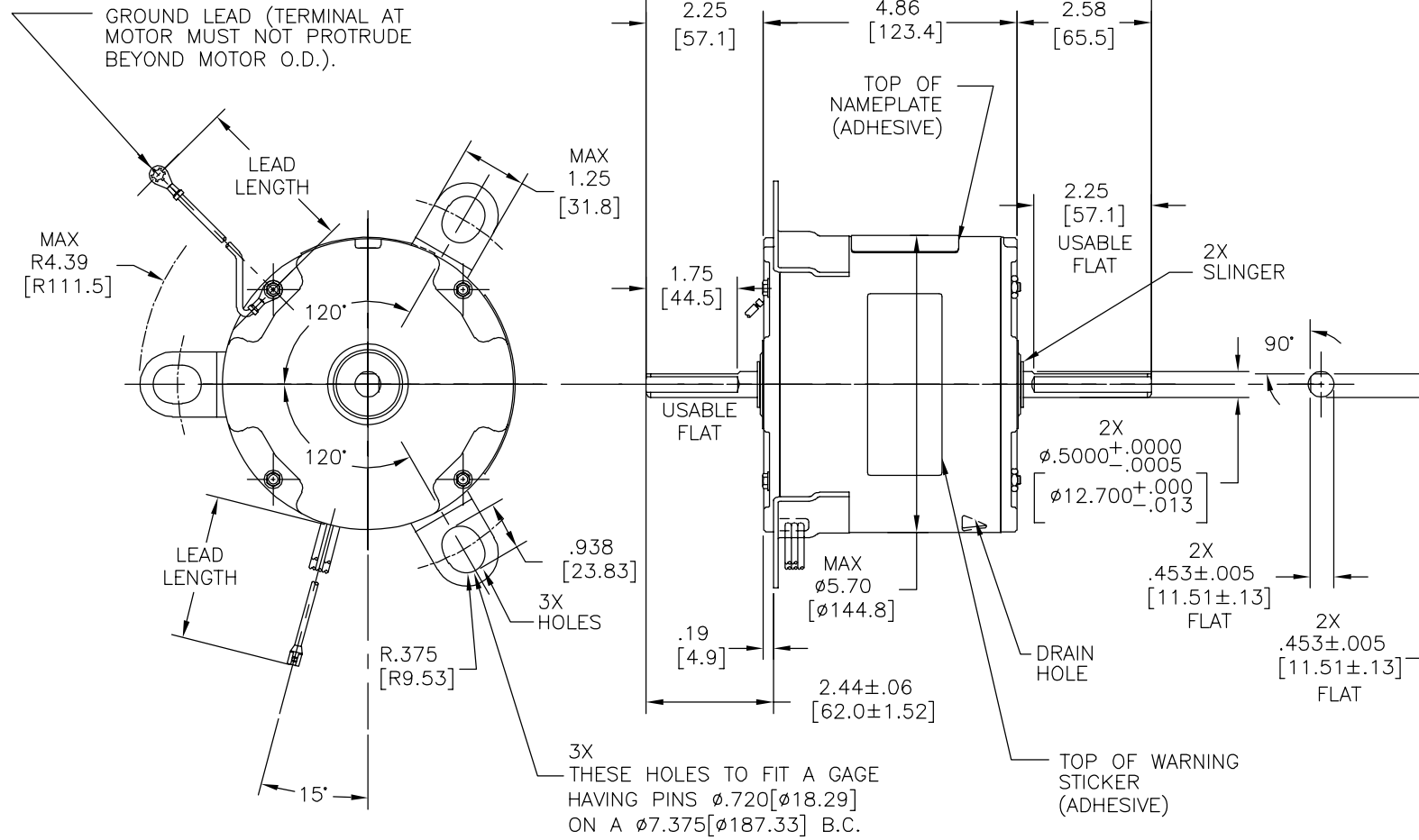
SEE NOTE 1

NAMEPLATE DATA :

MODEL NO.: F48SN6L30
 CUST. P/N: []
 HP: 1/3
 ROT: CCWLE
 RPM: 1075/5 SPD.
 TYPE: UF
 FRAME: 48Y
 VOLTS: 230
 PH: 1
 AMPS: 1.8 (2.5 MAX.)
 HZ: 60
 INS: B
 AMB: 40 °C
 DUTY: AIR OVER
 CAP.: 5 MFD/370VAC
 UL LOGO
 CSA LOGO
 THERMALLY PROTECTED



REV	ECO	REV BY	DATE	APPD	DATE
C	0038889	F.NAVARRO	10-07-2013	T.REYES	10-07-2013



COLOR	LENGTH	TERMINAL OR STRIP LENGTH
GREEN(GRD)	7.0/8.0 [178/203]	#10 EYELET
YELLOW	20.0/22.0 [508/559]	.25[6.4]SPADE
WHITE	32.0/34.0 [813/864]	.25[6.4]SPADE
BLACK	32.0/34.0 [813/864]	.25[6.4]SPADE
BLUE	32.0/34.0 [813/864]	.25[6.4]SPADE
ORANGE	32.0/34.0 [813/864]	.25[6.4]SPADE
BROWN	32.0/34.0 [813/864]	.25[6.4]SPADE
RED	32.0/34.0 [813/864]	.25[6.4]SPADE

MAIN FR.-OLE	ENCLOSED
END FR.-OLE	ENCLOSED
MAIN FR.-LE	ENCLOSED
END FR.-LE	ENCLOSED

CUSTOMER	DISTRIBUTION SERVICE
----------	----------------------

PERFORMANCE CURVE NO.	TORQUE @1075 RPM (25°C)	APPROVED SAMPLE	UL COMPONENT FILE #	CSA FILE #
C23843	29.6 OZ. FT.	EX11892-2	E46412	LR433414211-010

GEOMETRIC CHARACTERISTICS & SYMBOLS
 ▽ FLATNESS
 — STRAIGHTNESS
 < ANGLARITY
 ⊥ PERPENDICULARITY (SQUARENESS)
 // PARALLELISM
 ○ ROUNDNESS (CIRCULARITY)
 ∅ CYLINDRICITY
 △ PROFILE OF ANY SURFACE
 ∩ PROFILE OF ANY LINE
 ↗ RUNOUT
 ⊕ TRUE POSITION
 ⊙ CONCENTRICITY
 = SYMMETRY
 ASME Y14.5M 1994

REGAL-BELOIT CORPORATION (RBC) PROVIDES TECHNICAL ASSISTANCE TO OUR CUSTOMERS IN SEVERAL AREAS. SINCE RBC DOES NOT RECEIVE ALL DATA CONCERNING THE USE AND APPLICATION OF THE MOTOR, THE SUITABILITY OF THE MOTOR FOR THE APPLICATION MUST BE DETERMINED BY THE CUSTOMER.
 DIMENSIONS WITHOUT TOLERANCES ARE FOR REFERENCE ONLY.

DR BY: DZ 02-10-2011
 APPD: DZ 02-10-2011
 EDS DATE 11-11-2011
 FORMAT REV H
 THIRD ANGLE PROJECTION
 CONFIDENTIAL: THIS DRAWING AND ITS INFORMATION ARE THE EXCLUSIVE AND CONFIDENTIAL PROPERTY OF REGAL-BELOIT CORPORATION AND ARE NOT TO BE DISCLOSED, DUPLICATED, DISTRIBUTED OR OTHERWISE USED WITHOUT THE WRITTEN CONSENT OF REGAL-BELOIT CORPORATION. -ALL RIGHTS RESERVED.

REGAL REGAL-BELOIT CORPORATION

DESCRIPTION: MODEL-RFHP-48FR OUTLINE

SIZE: C DWG NO: OFR1036

SCALE: NONE SHEET: 1

4

3

2

1

4

3

2

1

INFORMACION GENERAL:

OSCILACION DE FLECHA: .001[.03] L.T.I. POR PULGADA DE EXTENSION

JUEGO AXIAL: .010[.25] A .063[1.60]

BALEROS: MANGA

POSICION DEL MONTAJE: HORIZONTAL

INFORMACION ELECTRICA:

PROTECTOR DE SOBRECARGA REINICIO AUTOMATICO (SENSATA 7AM 032)

CABLES: NO. 18 GA., .06[1.5] GROSOR AISLANTE 125°C

CABLE DE TIERRA: NO. 18 GA., .03[.8] GROSOR AISLANTE (VERDE)

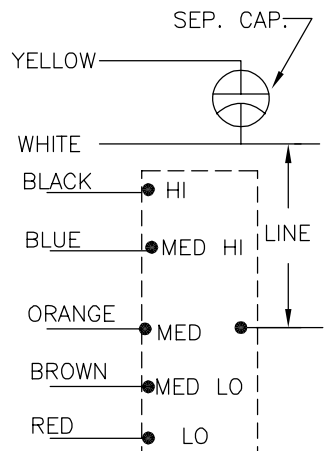
NOTA:
1. NUMERO DE PARTE DE CLIENTE DISTRIBUTION: OFR1036
NUMERO DE PARTE DE CLIENTE GRAINGER: 4ME10

VER NOTA 1

INFORMACION DE ETIQUETA:

DIAGRAMA DE CONEXION EXTERNA

MODEL NO.: F48SN6L30
CUST. P/N: []
HP: 1/3
ROT: CCWLE
RPM: 1075/5 SPD.
TYPE: UF
FRAME: 48Y
VOLTS: 230
PH: 1
AMPS: 1.8 (2.5 MAX.)
HZ: 60
INS: B
AMB: 40 °C
DUTY: AIR OVER
CAP.: 5 MFD/370VAC
UL LOGO
CSA LOGO
THERMALLY PROTECTED



614131-114

CURVAS DE DESEMPEÑO	TORSION @1075 RPM (25°C)	MUESTRA APROBADA	COMPONENTE UL		CSA	
			FILE #	CNN #	FILE #	CLASS #
C23843	29.6 OZ. FT.	EX11892-2	E46412	PRGY2	LR4334	4211-010

COLOR	LONGITUD	TERMINAL O LONGITUD DE DESFORRE
VERDE (TIERRA)	7.0/8.0 [178/203]	#10 OJAL
AMARILLO	20.0/22.0 [508/559]	.25[6.4]ESPADA
BLANCO	32.0/34.0 [813/864]	.25[6.4]ESPADA
NEGRO	32.0/34.0 [813/864]	.25[6.4]ESPADA
AZUL	32.0/34.0 [813/864]	.25[6.4]ESPADA
NARANJA	32.0/34.0 [813/864]	.25[6.4]ESPADA
CAFE	32.0/34.0 [813/864]	.25[6.4]ESPADA
ROJO	32.0/34.0 [813/864]	.25[6.4]ESPADA

INFORMACION DE CABLES			TIPO DE MOTOR	
CARCASA - LOC	CERRADO		CLIENTE	DISTRIBUTION SERVICE
TAPA - LOC	CERRADO			
CARCASA - LC	CERRADO			
TAPA - LC	CERRADO			

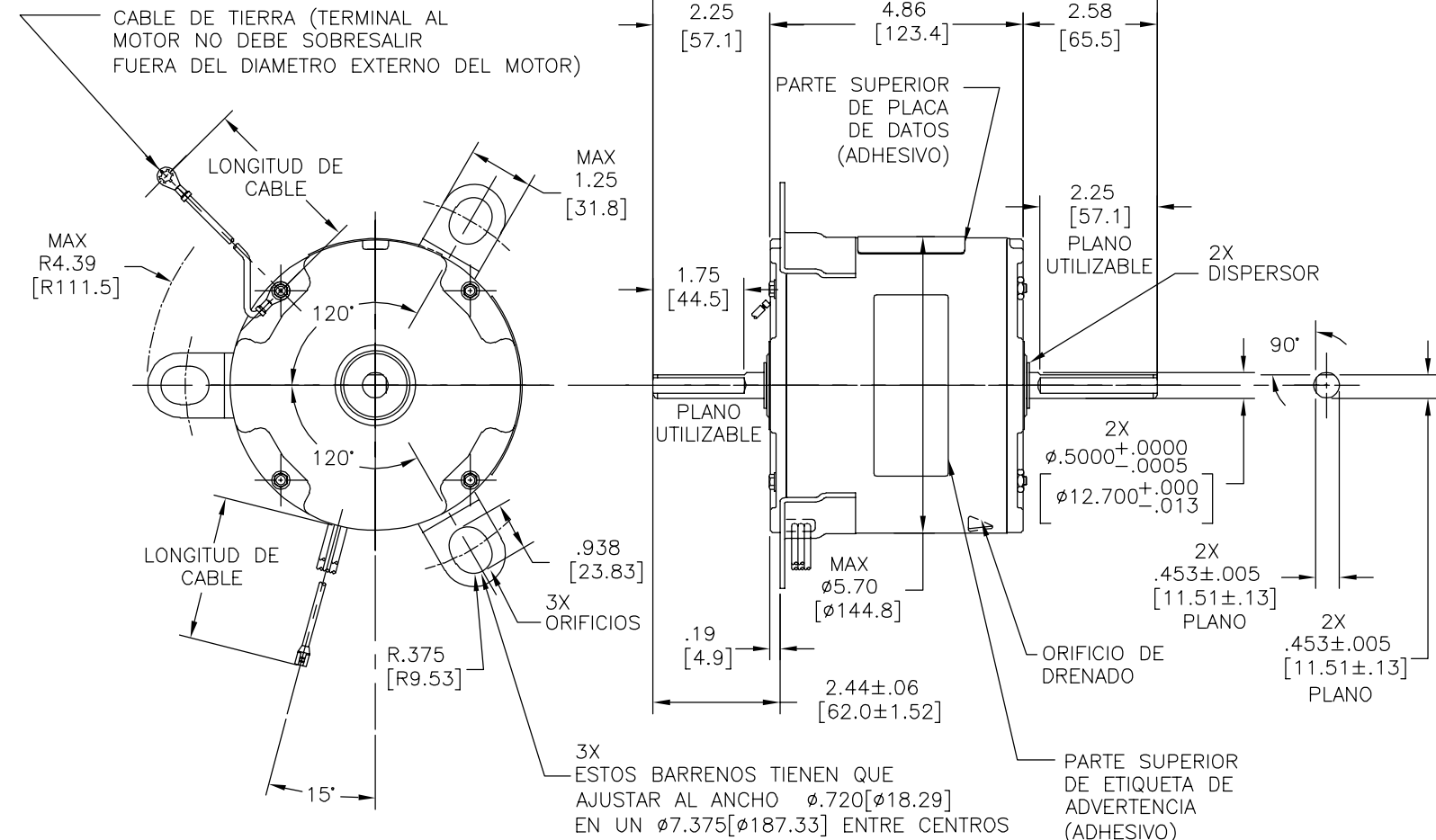
CARACTERISTICAS DE GEOMETRIA Y SIMBOLOS
 □ PLANICIDAD
 — RECTITUD
 < ANGULARIDAD
 ⊥ PERPENDICULARIDAD (A ESCUADRA)
 // PARALELISMO
 ○ REDONDEZ (CIRCULARIDAD)
 ∅ CILINDRICIDAD
 △ PERFIL DE CUALQUIER SUPERFICIE
 ∩ PERFIL DE CUALQUIER LINEA
 ∠ VARIACION
 ⊕ POSICION REAL
 ⊙ CONCENTRICIDAD
 = SIMETRIA
 ASME Y14.5M 1994

REGAL-BELOIT CORPORATION (RBC) PROVEE ASISTENCIA TECNICA A NUESTROS CLIENTES EN VARIAS AREAS, DESDE QUE RBC NO RECIBE TODOS LOS DATOS EN RELACION AL USO Y A LA APLICACION DEL MOTOR, LA APLICACION ADECUADA DEL MOTOR DEBE SER DETERMINADA POR EL CLIENTE.
 DIMENSIONES SIN TOLERANCIA SON DE REFERENCIA SOLAMENTE

DIBUJADO POR: DZ 02-10-2011
 APROBADO POR: DZ 02-10-2011
 TERCER ANGULO DE PROYECCION
 FECHA EDS: 11-11-2011
 REV. FORMATO: H
 CONFIDENCIAL: ESTE DIBUJO Y SU INFORMACION SON PROPIEDAD DE USO EXCLUSIVO Y CONFIDENCIAL DE REGAL-BELOIT CORPORATION. Y NO DEBERAN SER REVELADOS, DUPLICADOS, DISTRIBUIDOS O USARSE DE OTRA MANERA SIN EL CONSENTIMIENTO ESCRITO DE REGAL-BELOIT CORPORATION. -TODOS LOS DERECHOS RESERVADOS.

REGAL REGAL-BELOIT CORPORATION
 DESCRIPCION: MODEL-RFHP-48FR OUTLINE
 TAMAÑO: C NUMERO DE DIBUJO: OFR1036
 ESCALA: NONE HOJA: 1

REVISION:	ECO	REVISADO POR:	FECHA:	APROBADO POR:	FECHA:
C	0038889	F.NAVARRO	10-07-2013	T.REYES	10-07-2013



4

3

2

1