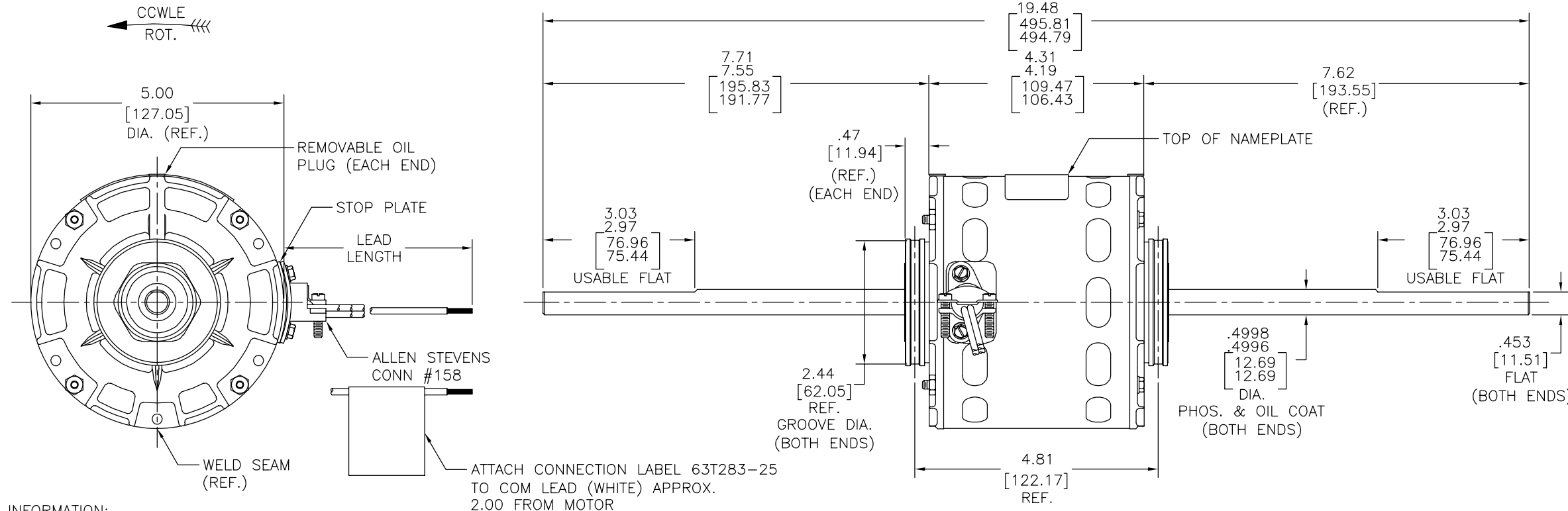


REV	ECO	REV BY	DATE	APPD	DATE
G	0029014	M.JOSEFOVSKY	10-17-2012	D.SCHUBERT	10-17-2012



GENERAL INFORMATION:

SHAFT RUNOUT: .001 [.025] T.I.R. PER INCH LENGTH OF EXTENSION
 END PLAY: .005 TO .040 [.13 TO 1.02]
 BEARINGS: SLEEVE
 MOUNTING POSITION: HORIZONTAL

ELECTRICAL DATA:

OVERLOAD PROTECTOR: AUTOMATIC RESET (T.I. 7AM 093)
 LINE LEADS: NO. 18 GA., .03 [.76] THK. XLP 125°C INSUL.

MAIN FRAME - OLE	OPEN
END FRAME - OLE	OPEN
MAIN FRAME - LE	OPEN
END FRAME - LE	OPEN
ENCLOSURE	

NAMEPLATE DATA:

Century Tipp City, OH THERMALLY PROTECTED

SER. DATE & PO# PLT LTR MOD DA2F087N# STK# 745
 VOLTS 120 HZ 60 AMPS
 RPM 1550 SP 4 PH 1 CAP
 INS CL AMB °C HP CONT AO ← ROTATION →
 BRG SLV BLK-HI 5.0 A 1/6 HP ASSEMBLED IN MEXICO
 BR-MED HI 3.3 A 1/8 HP
 BU-MED LO 2.9 A 1/10 HP RD-LO 2.4 A 1/12 HP
 WH-COM

PREFORMANCE CURVE NO.	TORQUE @ 1550 RPM (25°C)	APPROVED SAMPLE	UL COMPONENT FILE#	GUIDE#	CSA FILE#	GUIDE#
-	150.5 OZ. IN.	S-4867E	-	-	-	-

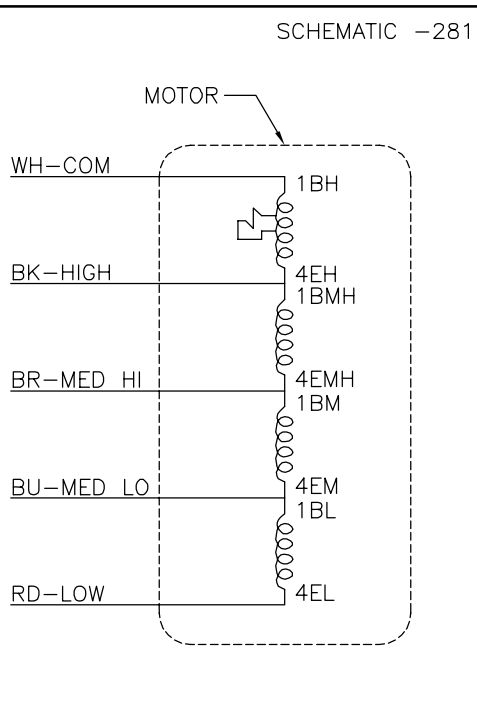
GEOMETRIC CHARACTERISTICS & SYMBOLS
 □ FLATNESS
 - STRAIGHTNESS
 < ANGLARITY
 ⊥ PERPENDICULARITY (SQUARENESS)
 // PARALLELISM
 ○ ROUNDNESS (CIRCULARITY)
 ∅ CYLINDRICITY
 △ PROFILE OF ANY SURFACE
 ∩ PROFILE OF ANY LINE
 ↗ RUNOUT
 ⊕ TRUE POSITION
 ⊙ CONCENTRICITY
 = SYMMETRY

UNLESS OTHERWISE SPECIFIED DIM. TOLERANCES ARE AS FOLLOWS:
 INCH X XX XXX XXXX
 mm ±0.5 ±0.13 ±0.013
 ANG. ±.50 DEG
 REMOVE BURRS & BREAK SHARP EDGES:
 INCH .003-.015 mm 0.1-0.4
 CORNER FILLETS TO:
 INCH .020 mm 0.5
 MACHINE SURFACES:
 INCH 125 mm 3.2

DR BY: TLB 04-30-1999
 APPD: DRB 02-22-1999
 THIRD ANGLE PROJECTION
 EDS DATE 02-22-2008
 FORMAT REV H
 CONFIDENTIAL: THIS DRAWING AND ITS INFORMATION ARE THE EXCLUSIVE AND CONFIDENTIAL PROPERTY OF REGAL-BELOIT CORPORATION AND ARE NOT TO BE DISCLOSED, DUPLICATED, DISTRIBUTED OR OTHERWISE USED WITHOUT THE WRITTEN CONSENT OF REGAL-BELOIT CORPORATION. -ALL RIGHTS RESERVED.

COLOR CODE	
COMM	WHITE
HIGH	BLACK
MED HI	BROWN
MED LO	BLUE
LOW	RED

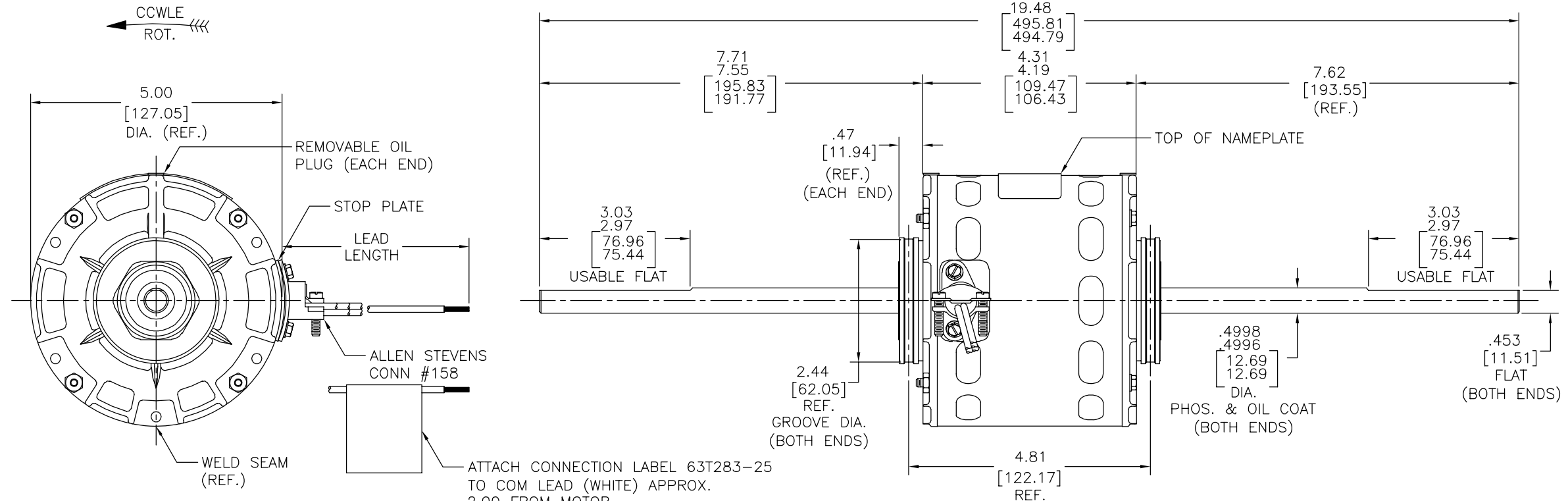
RED	29.0/31.0 [736.60/787.40]	.50 [12.7] SKIN
BLUE	29.0/31.0 [736.60/787.40]	.50 [12.7] SKIN
BROWN	29.0/31.0 [736.60/787.40]	.50 [12.7] SKIN
BLACK	29.0/31.0 [736.60/787.40]	.50 [12.7] SKIN
WHITE	29.0/31.0 [736.60/787.40]	.50 [12.7] SKIN
COLOR	LENGTH	TERMINAL OR STRIP LENGTH



REGAL REGAL-BELOIT CORPORATION

DESCRIPTION: OUTLINE AFTERMARKET STK #745
 SIZE: C DWG NO: DA2F7087
 SCALE: NONE SHEET: 1

REVISION:	ECO	REVISADO POR:	FECHA:	APROBADO POR:	FECHA:
G	0029014	M.JOSEFOVSKY	10-17-2012	D.SCHUBERT	10-17-2012



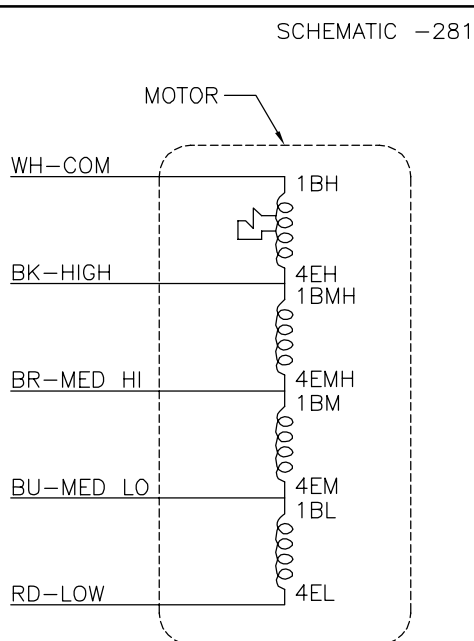
GENERAL INFORMATION:

SHAFT RUNOUT: .001 [.025] T.I.R. PER INCH LENGTH OF EXTENSION
 END PLAY: .005 TO .040 [.13 TO 1.02]
 BEARINGS: SLEEVE
 MOUNTING POSITION: HORIZONTAL

ELECTRICAL DATA:

OVERLOAD PROTECTOR: AUTOMATIC RESET (T.I. 7AM 093)
 LINE LEADS: NO. 18 GA., .03 [.76] THK. XLP 125°C INSUL.

MAIN FRAME - OLE	OPEN
END FRAME - OLE	OPEN
MAIN FRAME - LE	OPEN
END FRAME - LE	OPEN
ENCLOSURE	



NAMEPLATE DATA:

Century Tipp City, OH THERMALLY PROTECTED

SER. DATE & PO# PLT LTR MOD DA2F087N# STK# 745
 VOLTS 120 HZ 60 AMPS
 RPM 1550 SP 4 PH 1 CAP
 INS CL AMB °C HP CONT AO ← ROTATION →
 BRG SLV BLK-HI 5.0 A 1/6 HP ASSEMBLED IN MEXICO
 BR-MED HI 3.3 A 1/8 HP
 BU-MED LO 2.9 A 1/10 HP RD-LO 2.4 A 1/12 HP
 WH-COM

PERFORMANCE CURVE NO.	TORQUE @ 1550 RPM (25°C)	APPROVED SAMPLE	UL COMPONENT		CSA	
			FILE#	GUIDE#	FILE#	GUIDE#
-	150.5 OZ. IN.	S-4867E	-	-	-	-

COLOR CODE	
COMM	WHITE
HIGH	BLACK
MED HI	BROWN
MED LO	BLUE
LOW	RED

COLOR	LENGTH	TERMINAL OR STRIP LENGTH
RED	29.0/31.0 [736.60/787.40]	.50 [12.7] SKIN
BLUE	29.0/31.0 [736.60/787.40]	.50 [12.7] SKIN
BROWN	29.0/31.0 [736.60/787.40]	.50 [12.7] SKIN
BLACK	29.0/31.0 [736.60/787.40]	.50 [12.7] SKIN
WHITE	29.0/31.0 [736.60/787.40]	.50 [12.7] SKIN
LEAD DATA		

CARACTERISTICAS DE GEOMETRIA Y SIMBOLOS
 ✓ PLANICIDAD
 - RECTITUD
 < ANGULARIDAD
 ⊥ PERPENDICULARIDAD (A ESCUADRA)
 // PARALELISMO
 ○ REDONDEZ (CIRCULARIDAD)
 ∅ CILINDRICIDAD
 △ PERFIL DE CUALQUIER SUPERFICIE
 ∇ PERFIL DE CUALQUIER LINEA
 ∠ VARIACION
 ⊕ POSICION REAL
 ⊙ CONCENTRICIDAD
 = SIMETRIA

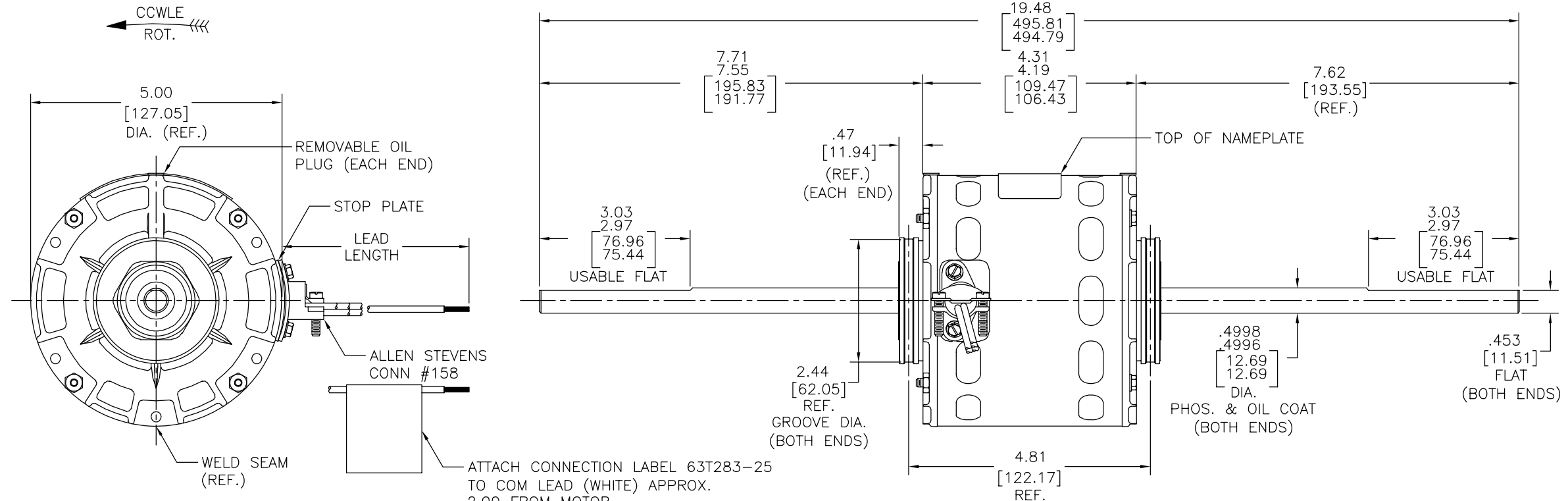
A MENOS QUE SE ESPECIFIQUE DE OTRA MANERA, LAS TOLERANCIAS DE LAS DIMS; SON LAS SIGUIENTES:
 PULG ±.1 ±.02 ±.005 ±.0005
 mm ±0.5 ±0.13 ±0.013
 ANG. ± 50 GRADOS
 ELIMINAR REBABAS Y ORILLAS FILOSAS DEL BORDE.
 PULG .003-.015 mm 0.1-0.4
 FILETEAR ESQUINA: PULG .020 mm 0.5
 MAQUINAR SUPERFICIES
 PULG 125 mm 3.2

DIBUJADO POR: TLB 04-30-1999
 APROBADO POR: DRB 02-22-1999
 TERCER ANGULO DE PROYECCION
 FECHA EDS: 02-22-2008
 REV. FORMATO: H
 CONFIDENCIAL: ESTE DIBUJO Y SU INFORMACION SON PROPIEDAD DE USO EXCLUSIVO Y CONFIDENCIAL DE REGAL-BELOIT CORPORATION. Y NO DEBERAN SER REVELADOS, DUPLICADOS, DISTRIBUIDOS O USARSE DE OTRA MANERA SIN EL CONSENTIMIENTO ESCRITO DE REGAL-BELOIT CORPORATION. -TODOS LOS DERECHOS RESERVADOS.



DESCRIPCION: OUTLINE AFTERMARKET STK #745
 TAMAÑO: C NUMERO DE DIBUJO: DA2F7087
 ESCALA: NONE HOJA: 1

版本	ECO	编制	日期	批准	日期
G	0029014	M.JOSEFOVSKY	10-17-2012	D.SCHUBERT	10-17-2012



GENERAL INFORMATION:

SHAFT RUNOUT: .001 [.025] T.I.R. PER INCH LENGTH OF EXTENSION
 END PLAY: .005 TO .040 [.13 TO 1.02]
 BEARINGS: SLEEVE
 MOUNTING POSITION: HORIZONTAL

ELECTRICAL DATA:

OVERLOAD PROTECTOR: AUTOMATIC RESET (T.I. 7AM 093)
 LINE LEADS: NO. 18 GA., .03 [.76] THK. XLP 125°C INSUL.

MAIN FRAME - OLE	OPEN
END FRAME - OLE	OPEN
MAIN FRAME - LE	OPEN
END FRAME - LE	OPEN
ENCLOSURE	

NAMEPLATE DATA:

Century Tipp City, OH THERMALLY PROTECTED **SP** **RU**

SER. DATE & PO# PLT LTR MOD DA2F087N# STK# 745
 VOLTS 120 HZ 60 AMPS
 RPM 1550 SP 4 PH 1 CAP
 INS CL AMB °C HP CONT AO ← ROTATION →

BRG SLV BLK-HI 5.0 A 1/6 HP ASSEMBLED IN MEXICO
 BR-MED HI 3.3 A 1/8 HP
 BU-MED LO 2.9 A 1/10 HP RD-LO 2.4 A 1/12 HP
 WH-COM

PERFORMANCE CURVE NO.	TORQUE @ 1550 RPM (25°C)	APPROVED SAMPLE	UL COMPONENT		CSA	
			FILE#	GUIDE#	FILE#	GUIDE#
-	150.5 OZ. IN.	S-4867E	-	-	-	-

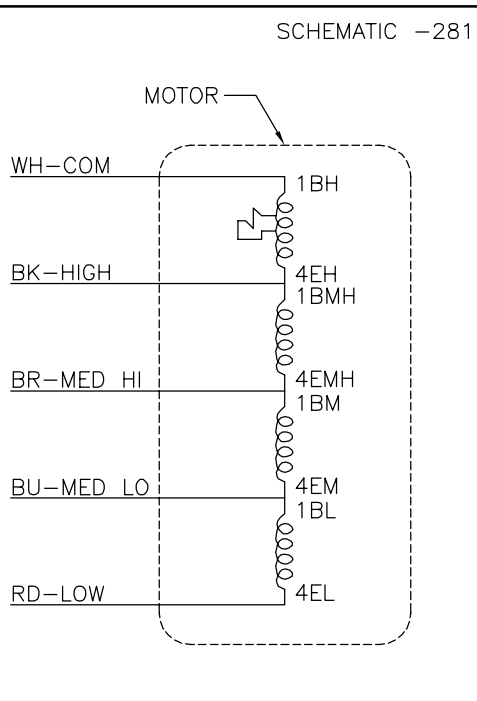
形位公差
 □ 平面度
 - 直线度
 < 倾斜度
 ⊥ 垂直度
 // 平行度
 ○ 圆度
 ⊙ 圆柱度
 △ 面轮廓度
 ∩ 线轮廓度
 ⤴ 圆跳动
 ⊕ 位置度
 ⊙ 同轴度
 ≡ 对称度

除另有注明尺寸公差如下:
 英寸 ±.1 ±.02 ±.005 ±.0005
 毫米 ±0.5 ±0.13 ±0.013
 角度 ±.50 度
 清理毛刺和尖棱
 英寸 .003-.015 毫米 0.1-0.4
 内圆角
 英寸 .020 毫米 0.5
 表面粗糙度
 英制 125 米制 3.2

ASME Y14.5M 1994 米制尺寸显示在 []

COLOR CODE	
COMM	WHITE
HIGH	BLACK
MED HI	BROWN
MED LO	BLUE
LOW	RED

RED	29.0/31.0 [736.60/787.40]	.50 [12.7] SKIN
BLUE	29.0/31.0 [736.60/787.40]	.50 [12.7] SKIN
BROWN	29.0/31.0 [736.60/787.40]	.50 [12.7] SKIN
BLACK	29.0/31.0 [736.60/787.40]	.50 [12.7] SKIN
WHITE	29.0/31.0 [736.60/787.40]	.50 [12.7] SKIN
COLOR	LENGTH	TERMINAL OR STRIP LENGTH
LEAD DATA		



绘图: TLB 04-30-1999
 批准: DRB 02-22-1999
 第三角投影

图纸格式发布日期 02-22-2008
 图纸格式版本 H

机密: 本图纸及相关信息所有权归REGAL-BELOIT CORPORATION. 未经REGAL-BELOIT CORPORATION书面授权, 不得泄露、复制、传播或作其他用途。—版权所有

REGAL REGAL-BELOIT CORPORATION

名称: OUTLINE AFTERMARKET STK #745
 图号: DA2F7087

比例: NONE 页号: 1