

GENERAL INFORMATION:

SHAFT RUNOUT: .001[.03] T.I.R. PER INCH LENGTH OF EXTENSION.

END PLAY: .010[.25] TO .063[1.60]

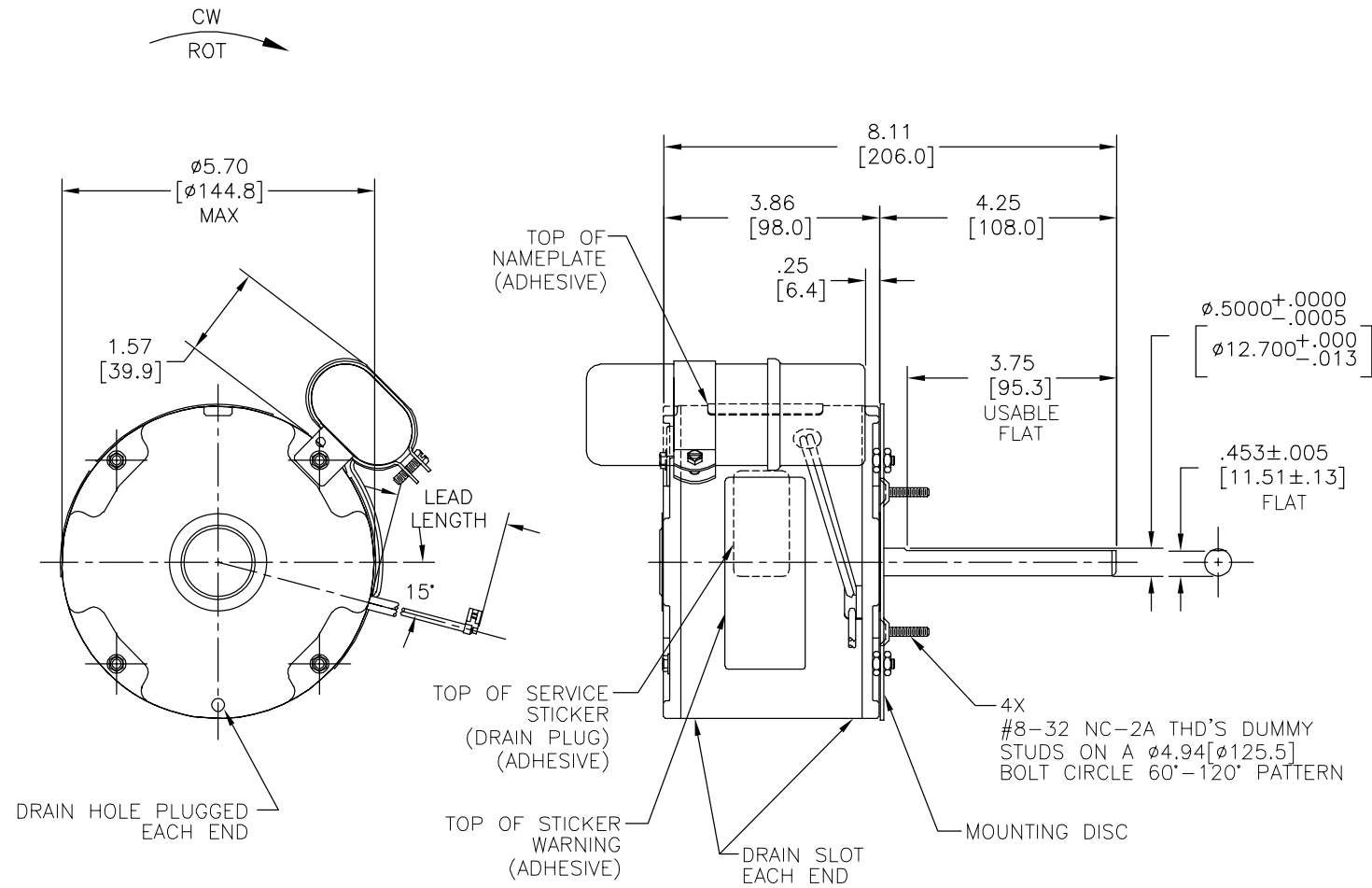
BEARINGS: SLEEVE

MOUNTING POSITION: ALL ANGLE

ELECTRICAL DATA:

OVERLOAD PROTECTOR: AUTOMATIC RESET (T.I. 7AM 036)

LEADS: NO. 18 GA., .06[1.5] THK. 125°C INSUL.



NAMEPLATE DATA:	EXTERNAL CONNECTION DIAGRAM
MODEL NO.: F48SE6L15 CUST. P/N: OFE1016 HP: 1/5 ROT.: CWLE RPM: 1080 TYPE: UF FRAME: 48Y VOLTS: 230 PH: 1 AMPS: 1.3 (1.7 MAX) HZ: 60 INS.: B AMB.: 60° C DUTY: AIR OVER CAP.: 7.5 MFD/370 V ENCL: ENCLOSED UL LOGO CSA LOGO THERMALLY PROTECTED	

COLOR	LENGTH	TERMINAL OR STRIP LENGTH
BROWN	CONNECTION TO CAPACITOR	.25[6.4] FLAG
BROWN/WHITE	CONNECTION TO CAPACITOR	.25[6.4] FLAG
YELLOW	51.0/53.0 [1295/1346]	.25[6.4] FLAG
BLACK	51.0/53.0 [1295/1346]	.25[6.4] FLAG

PERFORMANCE CURVE NO.	TORQUE @ 1080 RPM (25°C)	APPROVED SAMPLE	UL COMPONENT FILE #	CCN #	CSA FILE #	CLASS #
C23872	20.9 OZ. FT.	EX11952	E46412	PRGY2	LR43341	4211-01

REGAL-BELOIT CORPORATION (RBC) PROVIDES TECHNICAL ASSISTANCE TO OUR CUSTOMERS IN SEVERAL AREAS. SINCE RBC DOES NOT RECEIVE ALL DATA CONCERNING THE USE AND APPLICATION OF THE MOTOR, THE SUITABILITY OF THE MOTOR FOR THE APPLICATION MUST BE DETERMINED BY THE CUSTOMER.

DIMENSIONS WITHOUT TOLERANCES ARE FOR REFERENCE ONLY.

ENCLOSURE	MAIN FRAME	END FRAME
- OLE	CLOSED	CLOSED
- LE	CLOSED	CLOSED

CUSTOMER DIST. SERVICES

DRAWING REVISION	REVISION BY	DATE
D	E. GONG	03-05-2015
ECO-0073052	C.ZHANG	03-05-2015

COPYRIGHT REGAL-BELOIT AMERICA, INC. ALL RIGHTS RESERVED. PROPRIETARY AND CONFIDENTIAL INFORMATION - THIS DOCUMENT IS THE PROPERTY OF REGAL-BELOIT AMERICA, INC. (OWNER) AND CONTAINS OWNER'S PROPRIETARY INFORMATION. ANY PERSON, CORPORATION OR OTHER FIRM RECEIVING IT IS DEEMED, BY RECEIVING IT, TO AGREE THAT IT, AND/OR ANY PART OF IT, SHALL NOT BE DISCLOSED TO ANY PERSON, CORPORATION OR OTHER ENTITY, DUPLICATED, AND/OR USED, EXCEPT AS EXPRESSLY APPROVED IN WRITING IN ADVANCE BY OWNER. THIS DOCUMENT SHALL BE RETURNED TO OWNER UPON REQUEST. IT MAY BE SUBJECT TO CERTAIN RESTRICTIONS UNDER APPLICABLE EXPORT CONTROL LAWS AND REGULATIONS.

DRAWN BY:	DATE:
J.ZHU	03-08-2012
APPROVED BY:	DATE:
B.SHEN	03-08-2012

REGAL Regal Beloit America, Inc.

DESCRIPTION: MODEL-RFHP-48FR OUTLINE

MATERIAL: -

SIZE DWG NO: OFE1016

SHEET: 1

D
C
B
A

D
C
B
A

4

3

2

1

4

3

2

1