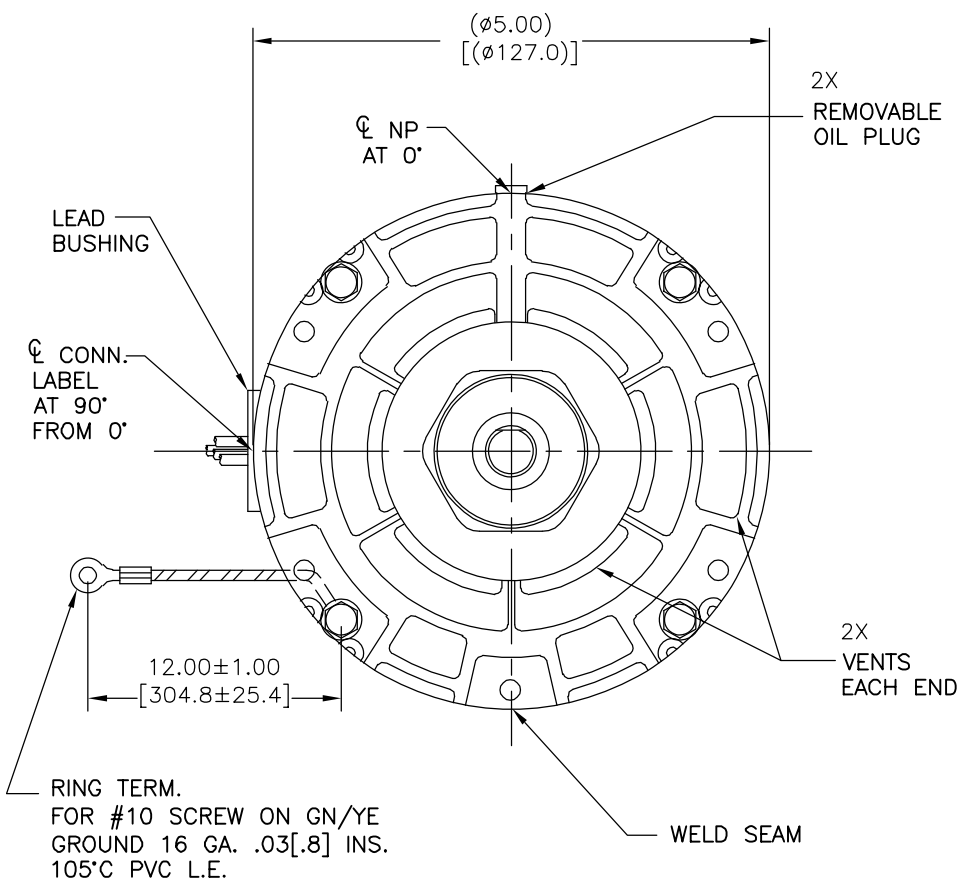
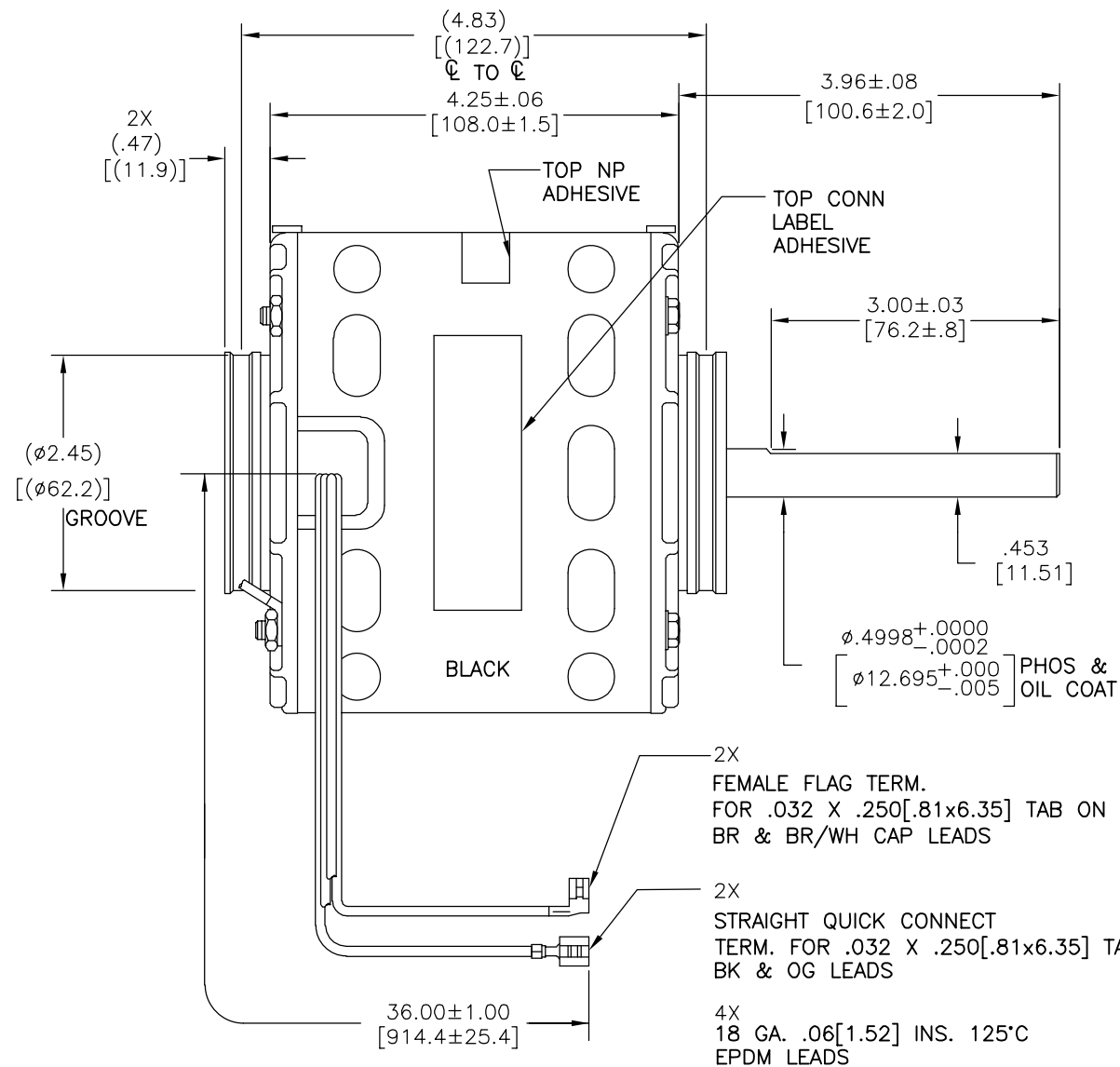


CUSTOMER IS SOLELY RESPONSIBLE FOR MOTOR PERFORMANCE AND SUITABILITY IN APPLICATIONS FOR CUSTOMER'S USES.

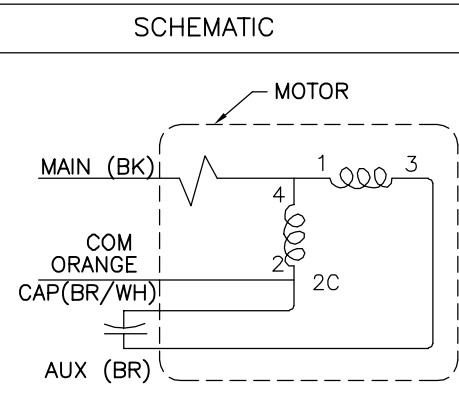
| REV | ECO     | REV BY    | DATE       | APPD       | DATE       |
|-----|---------|-----------|------------|------------|------------|
| D   | 0028996 | E.SINECIO | 10-16-2012 | G.ALVIDREZ | 10-16-2012 |



NOTE:  
DISTRIBUTION: CUST. P/N: 515  
GRAINGER: CUST. P/N: 4UY66

MAXIMUM SHAFT RUNOUT .001[.03] PER INCH[mm]  
MAXIMUM RUN OUT NOT TO EXCEED .010[.25]

|                                 |                              |
|---------------------------------|------------------------------|
| ELECTRICALLY PER SAMPLE S-9335D |                              |
| CONN. LABEL:                    | 63T7432-250                  |
| ROTATION:                       | CWSE-CCWLE                   |
| END PLAY:                       | .005[.13] MIN-.040[1.02] MAX |



NAMEPLATE DATA:

Tipp City, OH  
THERMALLY PROTECTED

SER. DATE & P0# PLT LTR MOD DE3G097N

VOLTS 208-230 HZ 60 AMPS 1.5  
RPM1100 SP PH1 CAP5MFD 370VAC  
INS CL AMB °C HP 1/4 CONT AO ←ROTATION←  
BRG SLV BK LINE, ORANGE LINE  
BR CAP, BR/WH CAP ASSEMBLED IN MEXICO

GEOMETRIC CHARACTERISTICS & SYMBOLS

- FLATNESS
- STRAIGHTNESS
- ∠ ANGULARITY
- ⊥ PERPENDICULARITY (SQUARENESS)
- // PARALLELISM
- ROUNDNESS (CIRCULARITY)
- ∅ CYLINDRICITY
- △ PROFILE OF ANY SURFACE
- ∩ PROFILE OF ANY LINE
- ∩ RUNOUT
- ⊕ TRUE POSITION
- ◎ CONCENTRICITY
- ≡ SYMMETRY

ASME Y14.5M 1994

UNLESS OTHERWISE SPECIFIED DIM. TOLERANCES ARE AS FOLLOWS:

INCH X XX XXX XXXX  
mm ±0.5 ±0.13 ±0.013

ANG. ±.50 DEG  
REMOVE BURRS & BREAK SHARP EDGES:  
INCH .003-.015 mm 0.1-0.4

CORNER FILLETS TO:  
INCH .020 mm 0.5

MACHINE SURFACES:  
INCH 125 mm 3.2

METRIC DIMS. SHOWN IN [BRACKETS]

DR BY:

APPD: DRB 02-12-2001

THIRD ANGLE PROJECTION

EDS DATE 11-11-2011  
FORMAT REV H

CONFIDENTIAL: THIS DRAWING AND ITS INFORMATION ARE THE EXCLUSIVE AND CONFIDENTIAL PROPERTY OF REGAL-BELOIT CORPORATION AND ARE NOT TO BE DISCLOSED, DUPLICATED, DISTRIBUTED OR OTHERWISE USED WITHOUT THE WRITTEN CONSENT OF REGAL-BELOIT CORPORATION. -ALL RIGHTS RESERVED.

**REGAL REGAL-BELOIT CORPORATION**

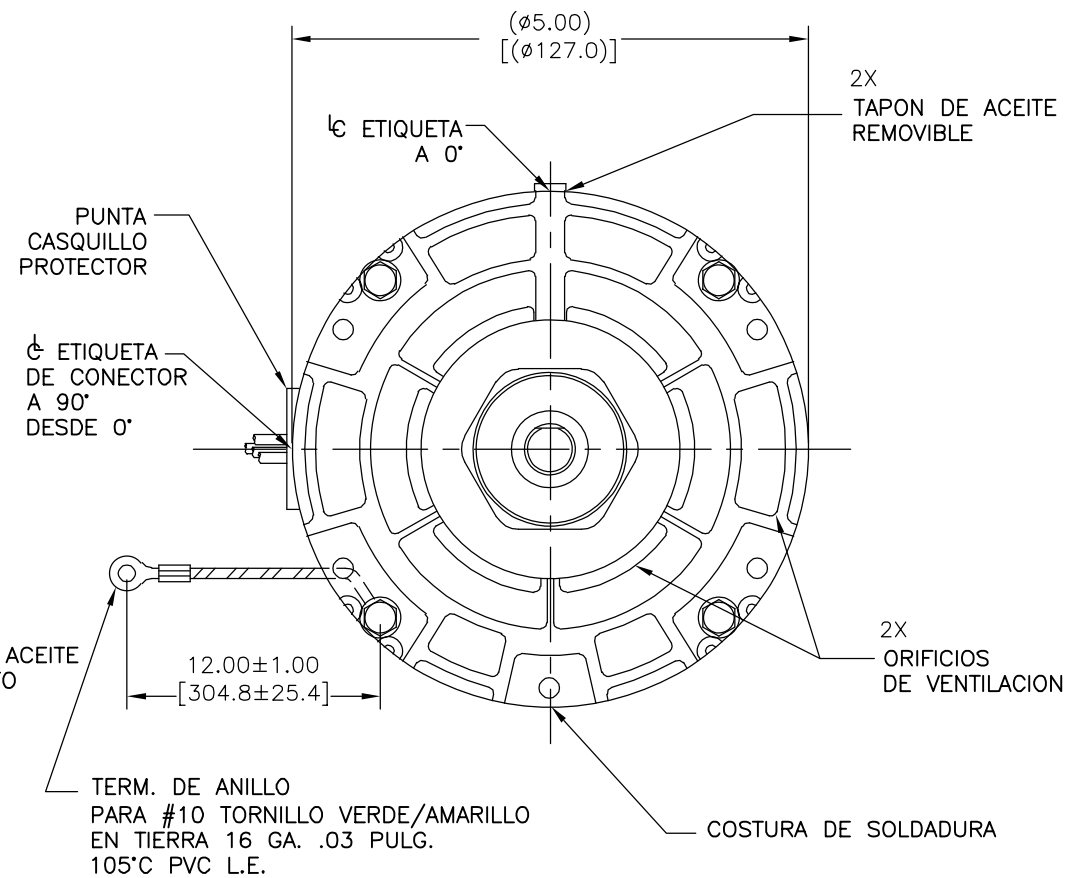
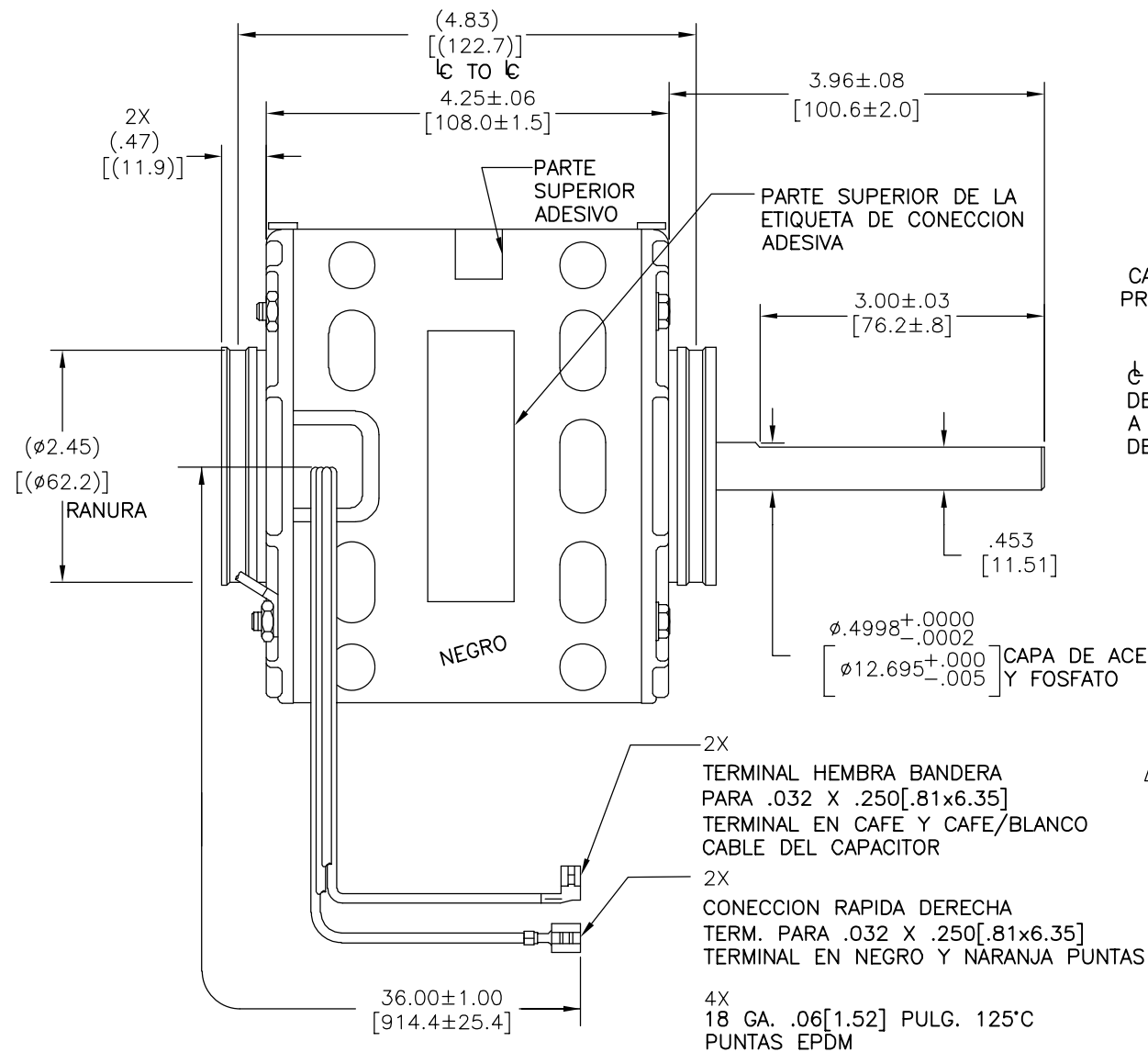
DESCRIPTION: MODEL-RFHP-42FR OUTLINE

SIZE C DWG NO DE3G7097

SCALE NONE SHEET 1

EL CLIENTE ES SOLO RESPONSABLE DEL RENDIMIENTO DEL MOTOR Y APLICACIONES CONVENIENTES PARA LOS USOS DEL CLIENTE.

|           |         |               |            |               |            |
|-----------|---------|---------------|------------|---------------|------------|
| REVISION: | ECO     | REVISADO POR: | FECHA:     | APROBADO POR: | FECHA:     |
| D         | 0028996 | E.SINECIO     | 10-16-2012 | G.ALVIDREZ    | 10-16-2012 |

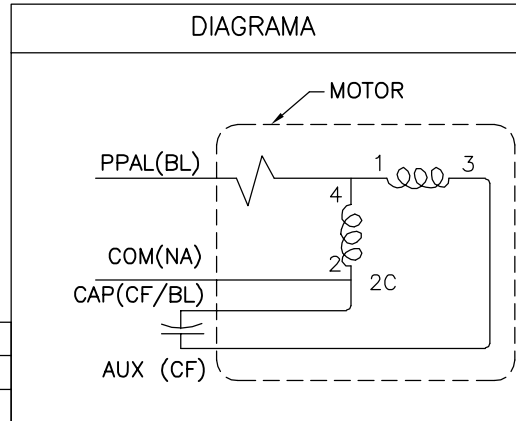


NOTA:  
DISTRIBUCION: NO. PARTE CLIENTE: 515  
GRAINGER: NO. PARTE CLIENTE: 4UY66

VER NOTA

MAXIMA OSCILACION DE FLECHA .001[.03] POR 1.00[25.4]  
MAXIMA OSCILACION NO DEBE EXCEDER .010[.25]

|                                    |                              |
|------------------------------------|------------------------------|
| ELECTRICAMENTE POR MUESTRA S-9335D |                              |
| ETIQUETA CONN.:                    | 63T7432-250                  |
| ROTACION:                          | CWSE-CCWLE                   |
| JUEGO AXIAL:                       | .005[.13] MIN-.040[1.02] MAX |



PLACA DE DATOS:

**Century** Tipp City, OH THERMALLY PROTECTED

SER. DATE & P0# PLT LTR MOD DE3G097N

VOLTS 208-230 HZ 60 AMPS 1.5  
RPM1100 SP PH1 CAP5MFD 370VAC  
INS CL AMB °C HP 1/4 CONT AO ←ROTATION→  
BRG SLV BK LINE, ORANGE LINE  
BR CAP, BR/WH CAP ASSEMBLED IN MEXICO

CARACTERISTICAS DE GEOMETRIA Y SIMBOLOS  
 □ PLANICIDAD  
 - RECTITUD  
 < ANGULARIDAD  
 ⊥ PERPENDICULARIDAD (A ESCUADRA)  
 // PARALELISMO  
 ○ REDONDEZ (CIRCULARIDAD)  
 ∅ CILINDRICIDAD  
 △ PERFIL DE CUALQUIER SUPERFICIE  
 ∩ PERFIL DE CUALQUIER LINEA  
 ∠ VARIACION  
 ⊕ POSICION REAL  
 ⊙ CONCENTRICIDAD  
 = SIMETRIA

A MENOS QUE SE ESPECIFIQUE DE OTRA MANERA, LAS TOLERANCIAS DE LAS DIMS; SON LAS SIGUIENTES:  
 PULG ±.1 ±.02 ±.005 ±.0005  
 mm ±0.5 ±0.13 ±0.013  
 ANG. ±.50 GRADOS  
 ELIMINAR REBABAS Y ORILLAS FILOSAS DEL BORDE.  
 PULG .003-.015 mm 0.1-0.4  
 FILETEAR ESQUINA: PULG .020 mm 0.5  
 MAQUINAR SUPERFICIES  
 PULG 125 mm 3.2  
 DIMS METRICAS MOSTRADAS [PARENTESIS]

DIBUJADO POR:  
 APROBADO POR: DRB  
 TERCER ANGULO DE PROYECCION  
 CONFIDENCIAL: ESTE DIBUJO Y SU INFORMACION SON PROPIEDAD DE USO EXCLUSIVO Y CONFIDENCIAL DE REGAL-BELOIT CORPORATION. Y NO DEBERAN SER REVELADOS, DUPLICADOS, DISTRIBUIDOS O USARSE DE OTRA MANERA SIN EL CONSENTIMIENTO ESCRITO DE REGAL-BELOIT CORPORATION. -TODOS LOS DERECHOS RESERVADOS.

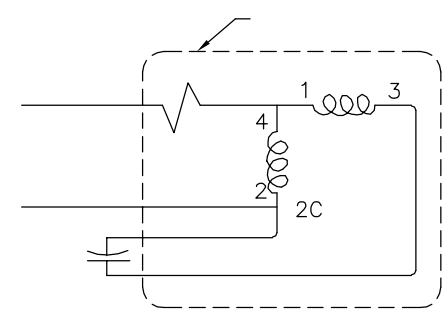
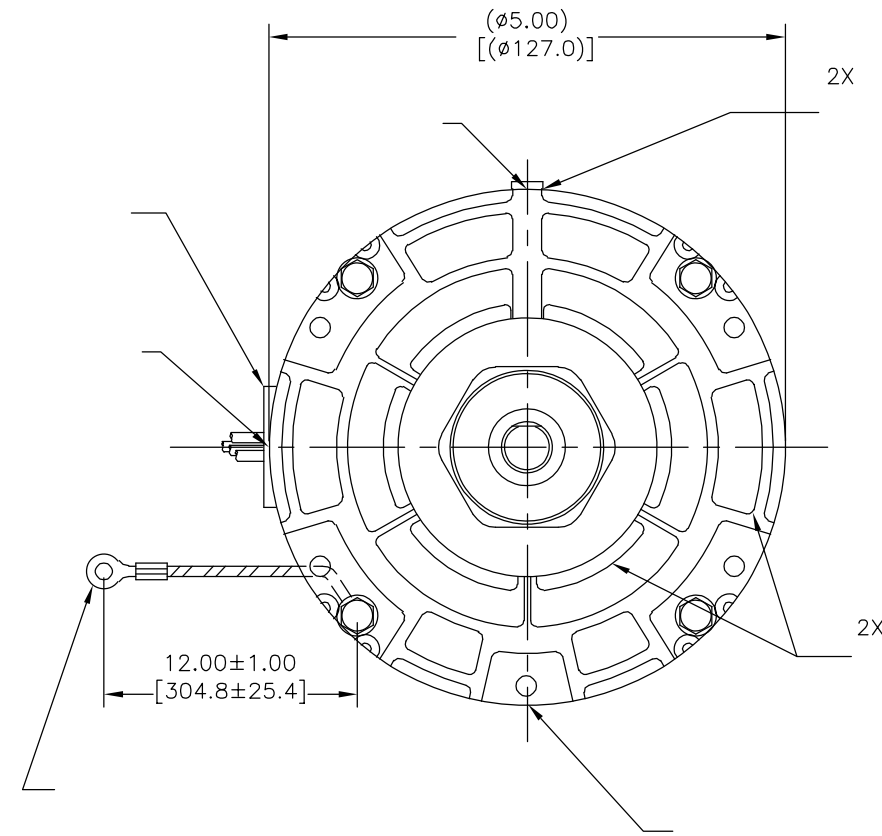
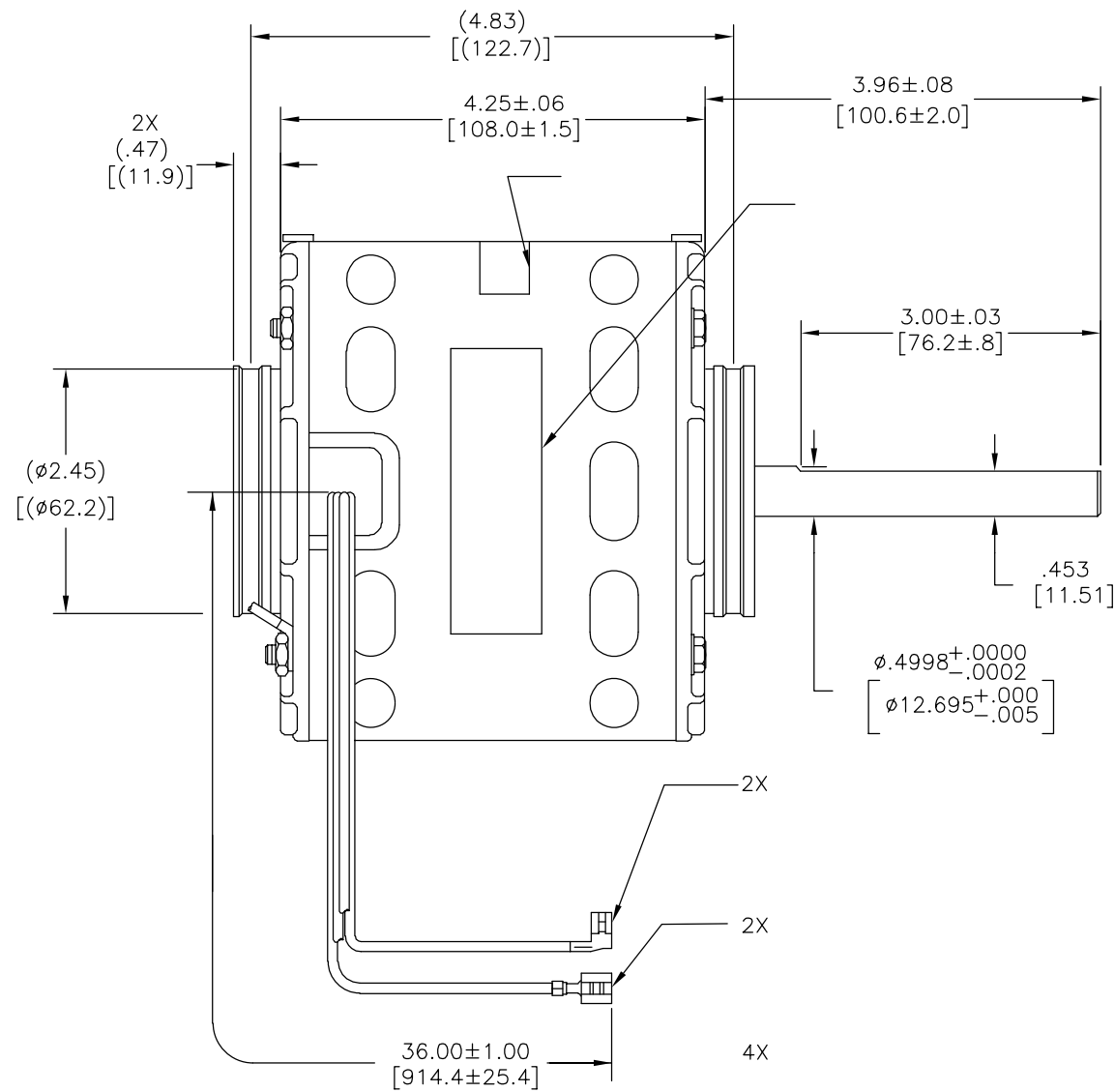
**REGAL REGAL-BELOIT CORPORATION**

DESCRIPCION: MODEL-RFHP-42FR OUTLINE

TAMAÑO: C NUMERO DE DIBUJO: DE3G7097

ESCALA: NONE HOJA: 1

|    |         |           |            |            |            |
|----|---------|-----------|------------|------------|------------|
| 版本 | ECO     | 编制        | 日期         | 批准         | 日期         |
| D  | 0028996 | E.SINECIO | 10-16-2012 | G.ALVIDREZ | 10-16-2012 |



Tipp City, OH  
THERMALLY PROTECTED



SER. DATE & P0# PLT LTR MOD DE3G097N [ ]  
 VOLTS 208-230 HZ 60 AMPS 1.5  
 RPM1100 SP PH1 CAP5MFD 370VAC  
 INS CL AMB °C HP 1/4 CONT AO ← ROTATION ←  
 BRG SLV BK LINE, ORANGE LINE  
 BR CAP, BR/WH CAP  
 ASSEMBLED IN MEXICO

|  |                              |
|--|------------------------------|
|  | 63T7432-250                  |
|  | CWSE-CCWLE                   |
|  | .005[.13] MIN-.040[1.02] MAX |

- 形位公差
- 平面度
- 直线度
- ∠ 倾斜度
- ⊥ 垂直度
- // 平行度
- 圆度
- ⊘ 圆柱度
- ⌒ 面轮廓度
- △ 线轮廓度
- ⌒ 圆跳动
- ⊕ 位置度
- ⊙ 同轴度
- ≡ 对称度

除另有注明  
尺寸公差如下:  
 英寸 X XX XXX XXXX  
 毫米 ±.1 ±.02 ±.005 ±.0005  
 毫米 ±0.5 ±0.13 ±0.013  
 角度 ±.50 度  
 清理毛刺和尖棱  
 英寸 .003-.015 毫米 0.1-0.4  
 内圆角  
 英寸 .020 毫米 0.5  
 表面粗糙度  
 英制 125 米制 3.2  
 米制尺寸显示在 [ ]

ASME Y14.5M 1994

绘图: .  
 批准: DRB 02-12-2001  
 第三角投影  
 图纸格式发布日期 11-11-2011  
 图纸格式版本 H  
 机密: 本图纸及相关信息所有权归REGAL-BELOIT CORPORATION.  
 未经REGAL-BELOIT CORPORATION书面授权, 不得泄露、  
 复制、传播或作其他用途。—版权所有

**REGAL REGAL-BELOIT CORPORATION**  
 名称 MODEL-RFHP-42FR  
 OUTLINE  
 图幅 C 图号 DE3G7097  
 比例 NONE 页号 1