

4

3

2

1

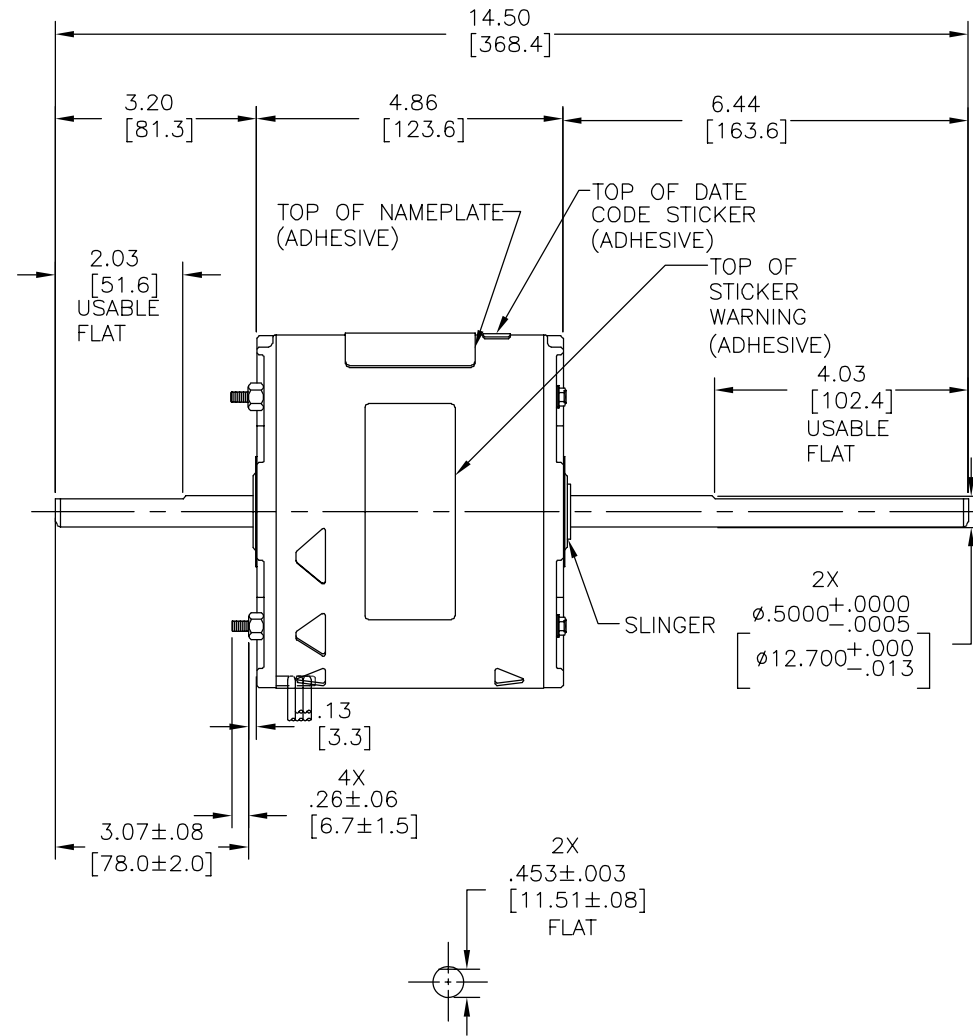
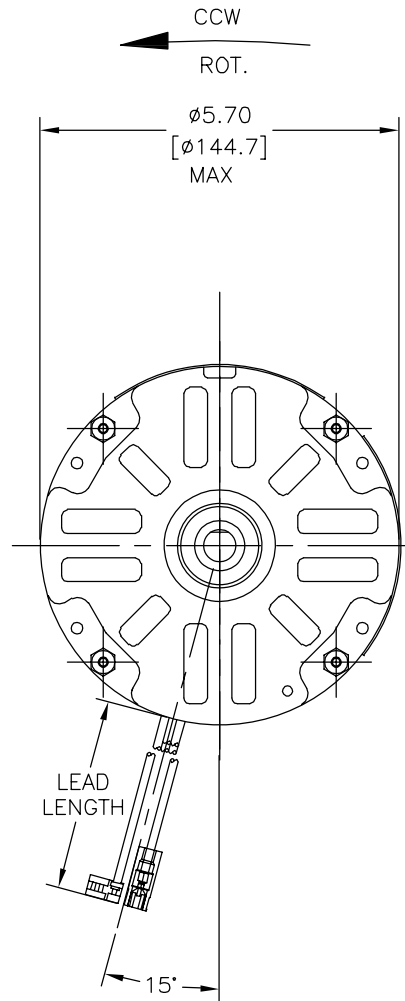
REV	ECO	REV BY	DATE	APPD	DATE
C	0024317	Y.LIU	03-12-2012	B.SHEN	03-12-2012

GENERAL INFORMATION:

SHAFT RUNOUT: .001[.03] T.I.R. PER INCH LENGTH OF EXTENSION.  
 END PLAY: .010[.25] TO .063[1.60]  
 BEARINGS: SLEEVE  
 MOUNTING POSITION: HORIZONTAL

ELECTRICAL DATA:

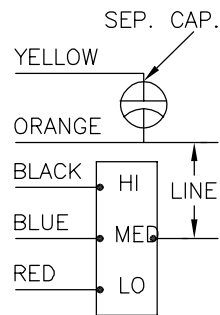
OVERLOAD PROTECTOR: AUTOMATIC RESET (SENSATA 7AM 036)  
 LEADS: NO. 18 GA., .06[1.5] THK. XLP 105°C INSUL.



NAMEPLATE DATA:

EXTERNAL CONNECTION DIAGRAM

MODEL NO.: F48F32A01  
 CUST. P/N: OFE1034  
 HP: 1/3  
 ROT.: CCWLE  
 RPM: 1400/1250/1100  
 TYPE: UF  
 FRAME: 48Y  
 VOLTS: 230/208  
 PH: 1  
 AMPS: 2.2  
 HZ: 60  
 INS.: B  
 AMB.: 40° C  
 DUTY: AIR OVER  
 CAP.: 7.5 MFD/370V  
 ENCL: SEMI-ENCL  
 UL LOGO  
 CSA LOGO  
 THERMALLY PROTECTED



614131-182

YELLOW	31.0/33.0 [787/838]	.25[6.4] FLAT
ORANGE	31.0/33.0 [787/838]	.25[6.4] FLAT
BLACK	31.0/33.0 [787/838]	.25[6.4] PER-INSUL FEMALE SPADE
BLUE	31.0/33.0 [787/838]	.25[6.4] PER-INSUL FEMALE SPADE
RED	31.0/33.0 [787/838]	.25[6.4] PER-INSUL FEMALE SPADE
COLOR	LENGTH	TERMINAL OR STRIP LENGTH

MAIN FRAME - OLE	SEMI-ENCLOSED
END FRAME - OLE	ENCLOSED
MAIN FRAME - LE	SEMI-ENCLOSED
END FRAME - LE	OPEN

CUSTOMER	DISTRIBUTION SERVICE
----------	----------------------

PERFORMANCE CURVE NO.	TORQUE @ 1400 RPM (25°C)	APPROVED SAMPLE	UL COMPONENT FILE #	CCN #	CSA FILE #	CLASS #
C31161	29.4 OZ. FT.	---	E46412	PRGY2	LR43341	4211-01

GEOMETRIC CHARACTERISTICS & SYMBOLS  
 □ FLATNESS  
 - STRAIGHTNESS  
 < ANGLARITY  
 ⊥ PERPENDICULARITY (SQUARENESS)  
 // PARALLELISM  
 ○ ROUNDNESS (CIRCULARITY)  
 ∅ CYLINDRICITY  
 △ PROFILE OF ANY SURFACE  
 ∩ PROFILE OF ANY LINE  
 ↗ RUNOUT  
 ⊕ TRUE POSITION  
 ⊙ CONCENTRICITY  
 = SYMMETRY  
 ASME Y14.5M 1994

REGAL-BELOIT CORPORATION (RBC) PROVIDES TECHNICAL ASSISTANCE TO OUR CUSTOMERS IN SEVERAL AREAS. SINCE RBC DOES NOT RECEIVE ALL DATA CONCERNING THE USE AND APPLICATION OF THE MOTOR, THE SUITABILITY OF THE MOTOR FOR THE APPLICATION MUST BE DETERMINED BY THE CUSTOMER.

DIMENSIONS WITHOUT TOLERANCES ARE FOR REFERENCE ONLY.

DR BY: Y.LIU 03-12-2012  
 APPD: B.SHEN 03-12-2012  
 THIRD ANGLE PROJECTION  
 CONFIDENTIAL: THIS DRAWING AND ITS INFORMATION ARE THE EXCLUSIVE AND CONFIDENTIAL PROPERTY OF REGAL-BELOIT CORPORATION AND ARE NOT TO BE DISCLOSED, DUPLICATED, DISTRIBUTED OR OTHERWISE USED WITHOUT THE WRITTEN CONSENT OF REGAL-BELOIT CORPORATION. -ALL RIGHTS RESERVED.



DESCRIPTION: MODEL-RFHP-48FR OUTLINE  
 SIZE: C DWG NO: OFE1034  
 SCALE: NONE SHEET: 1

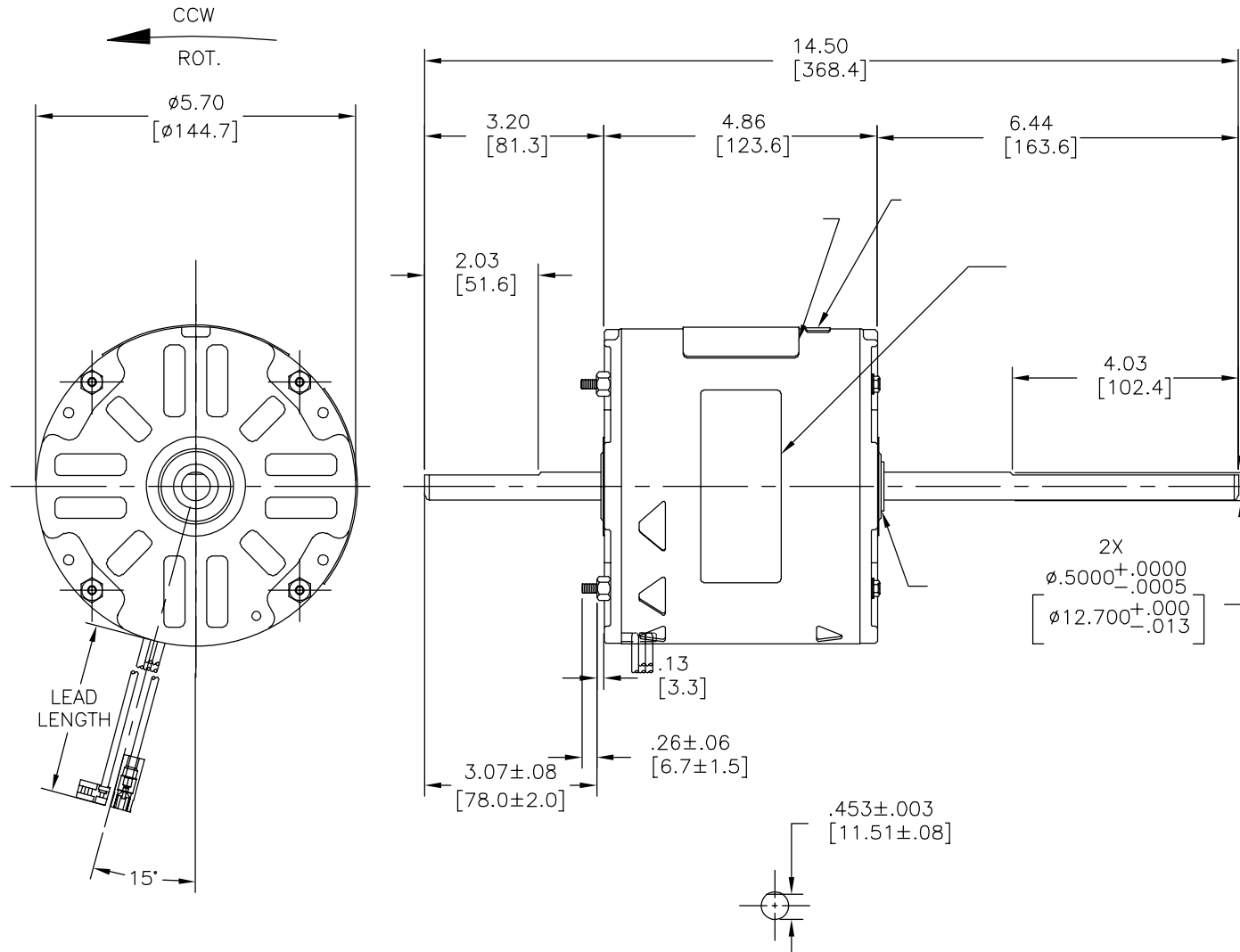
4

3

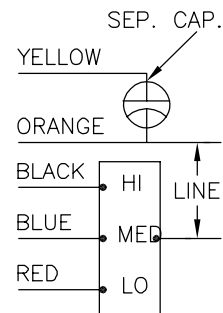
2

1

REVISION:	ECO	REVISADO POR:	FECHA:	APROBADO POR:	FECHA:
C	0024317	Y.LIU	03-12-2012	B.SHEN	03-12-2012



MODEL NO.: F48F32A01  
 CUST. P/N: OFE1034  
 HP: 1/3  
 ROT.: CCWLE  
 RPM: 1400/1250/1100  
 TYPE: UF  
 FRAME: 48Y  
 VOLTS: 230/208  
 PH: 1  
 AMPS: 2.2  
 HZ: 60  
 INS.: B  
 AMB.: 40° C  
 DUTY: AIR OVER  
 CAP.: 7.5 MFD/370V  
 ENCL: SEMI-ENCL  
 UL LOGO  
 CSA LOGO  
 THERMALLY PROTECTED



614131-182

	31.0/33.0	
	[787/838]	
	31.0/33.0	
	[787/838]	
	31.0/33.0	
	[787/838]	
	31.0/33.0	
	[787/838]	
	31.0/33.0	
	[787/838]	

REGAL-BELOIT CORPORATION (RBC)  
 PROVEE ASISTENCIA TECNICA A  
 NUESTROS CLIENTES EN VARIAS AREAS.  
 DESDE QUE RBC NO RECIBE TODOS  
 LOS DATOS EN RELACION AL USO Y A  
 LA APLICACION DEL MOTOR, LA  
 APLICACION ADECUADA DEL MOTOR  
 DEBE SER DETERMINADA POR EL  
 CLIENTE.

DIMENSIONES SIN TOLERANCIA SON  
 DE REFERENCIA SOLAMENTE

DIBUJADO POR:  
 Y.LIU

APROBADO POR:  
 B.SHEN

TERCER ANGULO  
 DE PROYECCION

CONFIDENCIAL: ESTE DIBUJO Y SU INFORMACION  
 SON PROPIEDAD DE USO EXCLUSIVO Y CONFIDENCIAL DE  
 REGAL-BELOIT CORPORATION. Y NO DEBERAN SER REVELADOS,  
 DUPLICADOS, DISTRIBUIDOS O USARSE DE OTRA MANERA  
 SIN EL CONSENTIMIENTO ESCRITO DE REGAL-BELOIT  
 CORPORATION. -TODOS LOS DERECHOS RESERVADOS.

03-12-2012

03-12-2012

FECHA EDS: 11-11-2011  
 REV. FORMATO: G



DESCRIPCION:  
 MODEL-RFHP-48FR  
 OUTLINE

TAMAÑO: C NUMERO DE DIBUJO:  
 OFE1034

ESCALA: NONE HOJA: 1

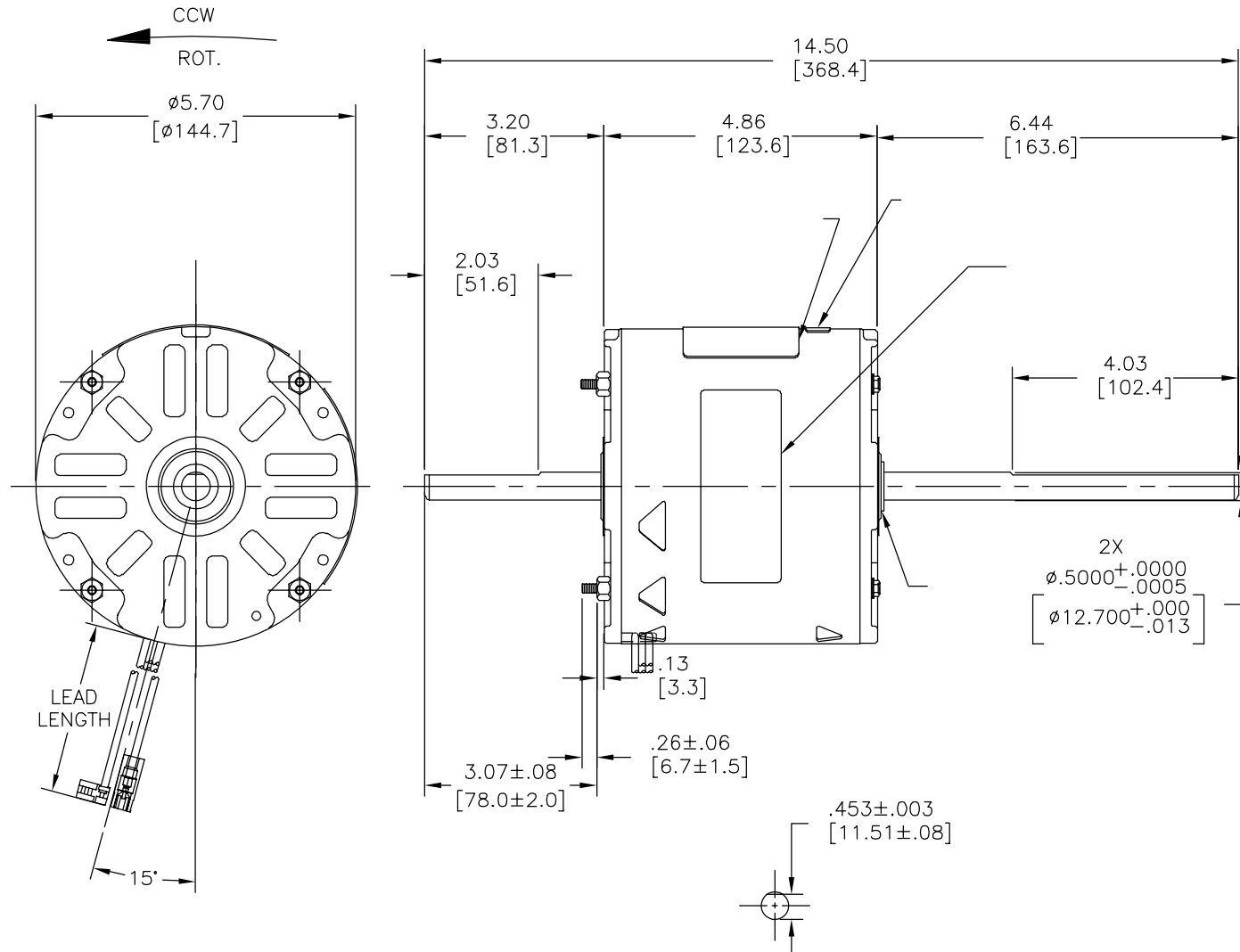
C31161	29.4 OZ. FT.	---	E46412	PRGY2	LR43341	4211-01
--------	--------------	-----	--------	-------	---------	---------

CARACTERISTICAS DE GEOMETRIA Y SIMBOLOS  
 ▮ PLANICIDAD  
 - RECTITUD  
 < ANGULARIDAD  
 ⊥ PERPENDICULARIDAD (A ESCUADRA)  
 // PARALELISMO  
 ○ REDONDEZ (CIRCULARIDAD)  
 ∅ CILINDRICIDAD  
 △ PERFIL DE CUALQUIER SUPERFICIE  
 ▲ PERFIL DE CUALQUIER LINEA  
 ↗ VARIACION  
 ⊕ POSICION REAL  
 ⊙ CONCENTRICIDAD  
 = SIMETRIA

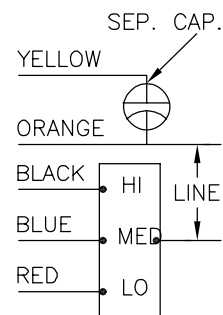
ASME Y14.5M 1994

DISTRIBUTION  
 SERVICE

版本	ECO	编制	日期	批准	日期
C	0024317	Y.LIU	03-12-2012	B.SHEN	03-12-2012



MODEL NO.: F48F32A01  
 CUST. P/N: OFE1034  
 HP: 1/3  
 ROT.: CCWLE  
 RPM: 1400/1250/1100  
 TYPE: UF  
 FRAME: 48Y  
 VOLTS: 230/208  
 PH: 1  
 AMPS: 2.2  
 HZ: 60  
 INS.: B  
 AMB.: 40° C  
 DUTY: AIR OVER  
 CAP.: 7.5 MFD/370V  
 ENCL: SEMI-ENCL  
 UL LOGO  
 CSA LOGO  
 THERMALLY PROTECTED



614131-182

	31.0/33.0	
	[787/838]	
	31.0/33.0	
	[787/838]	
	31.0/33.0	
	[787/838]	
	31.0/33.0	
	[787/838]	


DISTRIBUTION SERVICE

- 形位公差
- 平面度
- 直线度
- ∠ 倾斜度
- ⊥ 垂直度
- // 平行度
- 圆度
- ⊘ 圆柱度
- △ 面轮廓度
- ∩ 线轮廓度
- ↗ 圆跳动
- ⊕ 位置度
- ⊙ 同轴度
- ≡ 对称度

ASME Y14.5M 1994

REGAL-BELOIT CORPORATION (RBC) 在个别领域为客户提供技术支持。鉴于RBC未收到任何涉及电机使用和应用环境的数据，电机的适用性由客户自己决定。

未注公差尺寸仅供参考。

绘图: Y.LIU 03-12-2012

批准: B.SHEN 03-12-2012

第三角投影 图纸格式发布日期 11-11-2011 图纸格式版本 G

机密: 本图纸及相关信息所有权归REGAL-BELOIT CORPORATION。未经REGAL-BELOIT CORPORATION书面授权, 不得泄露、复制、传播或作其他用途。—版权所有



名称: MODEL-RFHP-48FR OUTLINE

图幅: C 图号: OFE1034

比例: NONE 页号: 1