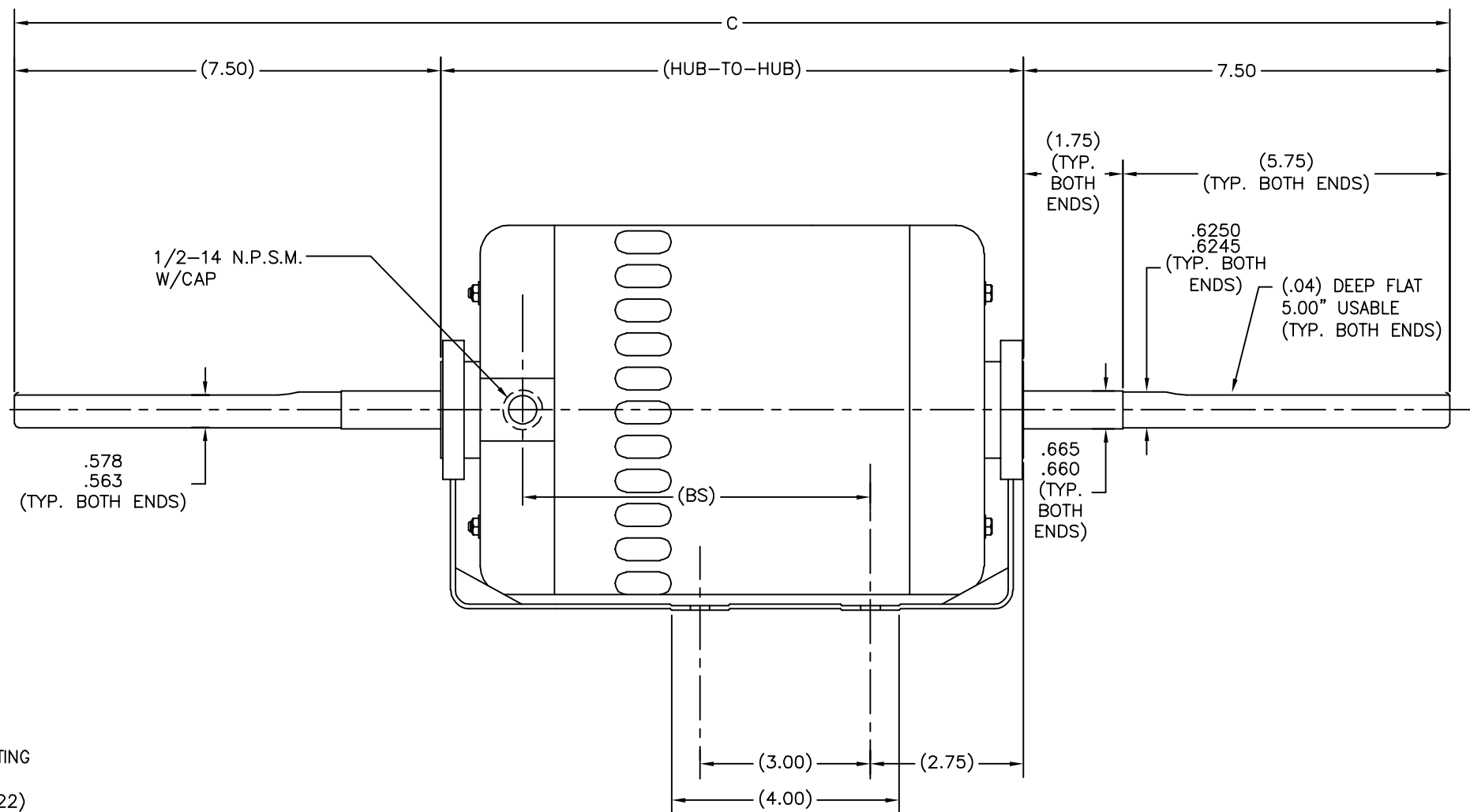
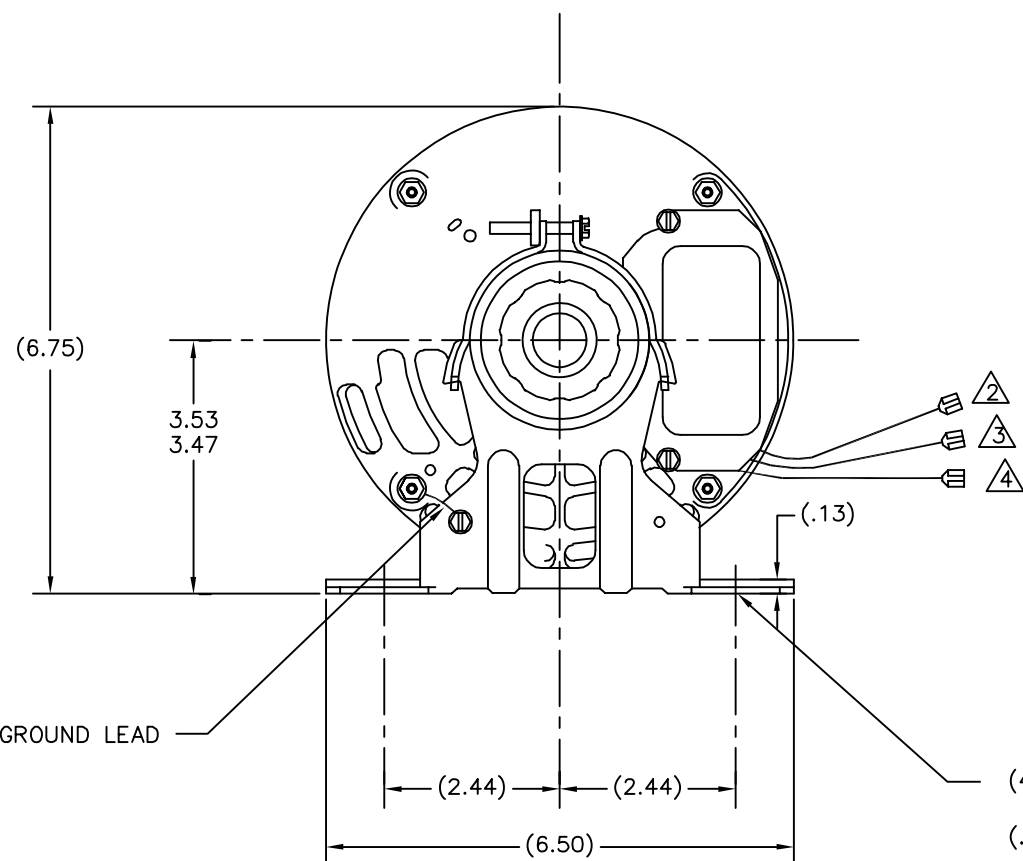


GROUP	TYPE	FRAME	"C"	(BS)	(HUB-TO-HUB)
-01	CX	K56Z	24.70/24.30	5.37	9.50

REV	REFERENCE ECN	REFERENCE PROJECT	REV BY	DATE	APPD	DATE
F		01274601	marque	11-15-2005	marque	11-15-2005

- NOTES**
- (1) ALL DIMENSIONS SHOWN IN PARENTHESIS ARE REFERENCE DIMENSIONS. ALL OTHER DIMENSIONS ARE TOLERANCED PER THE FOLLOWING CHART UNLESS OTHERWISE SPECIFIED.
 - "C" DIM. = +/- .055
 - SHAFT EXT. = +/- .034
 - LEAD LENGTHS = +/- 1.00
 - EXTENDED THRU-BOLTS = +/- .050
 - ANGULAR DIMS. = +/- 2 DEGS.
 - (2) LINE LEADS (RED, BLACK, AND BROWN) ARE TO BE 22.00" LONG + 2.00 - .00 FROM LEAD EXIT TO END OF TERMINALS.
 - (3) LINE LEADS ARE TO EXIT MOTOR VIA CORD HOLE NOTCH.
 - (4) LINE LEADS ARE TO BE TERMINATED WITH STRAIGHT ON FEMALE TYPE TERMINALS.

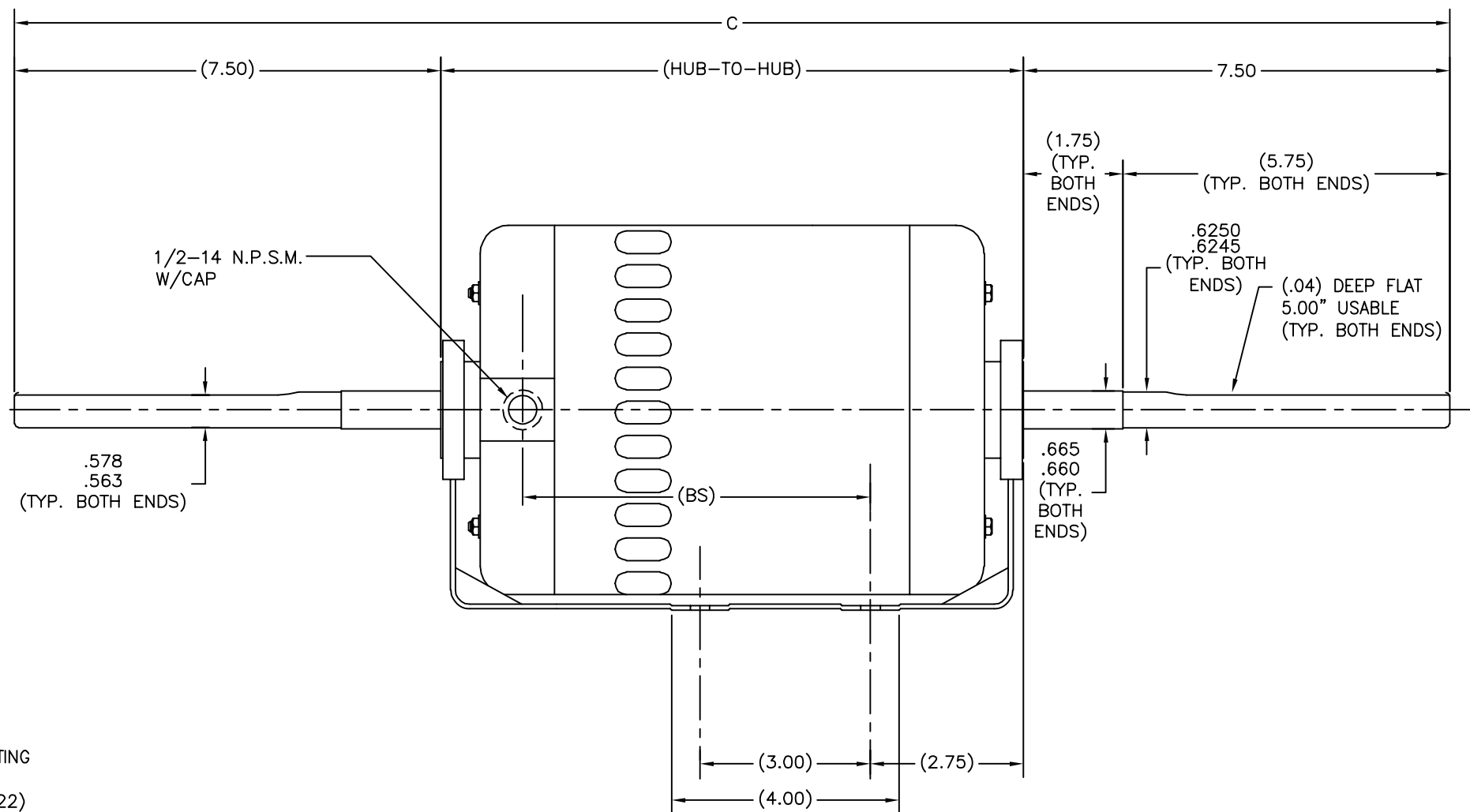
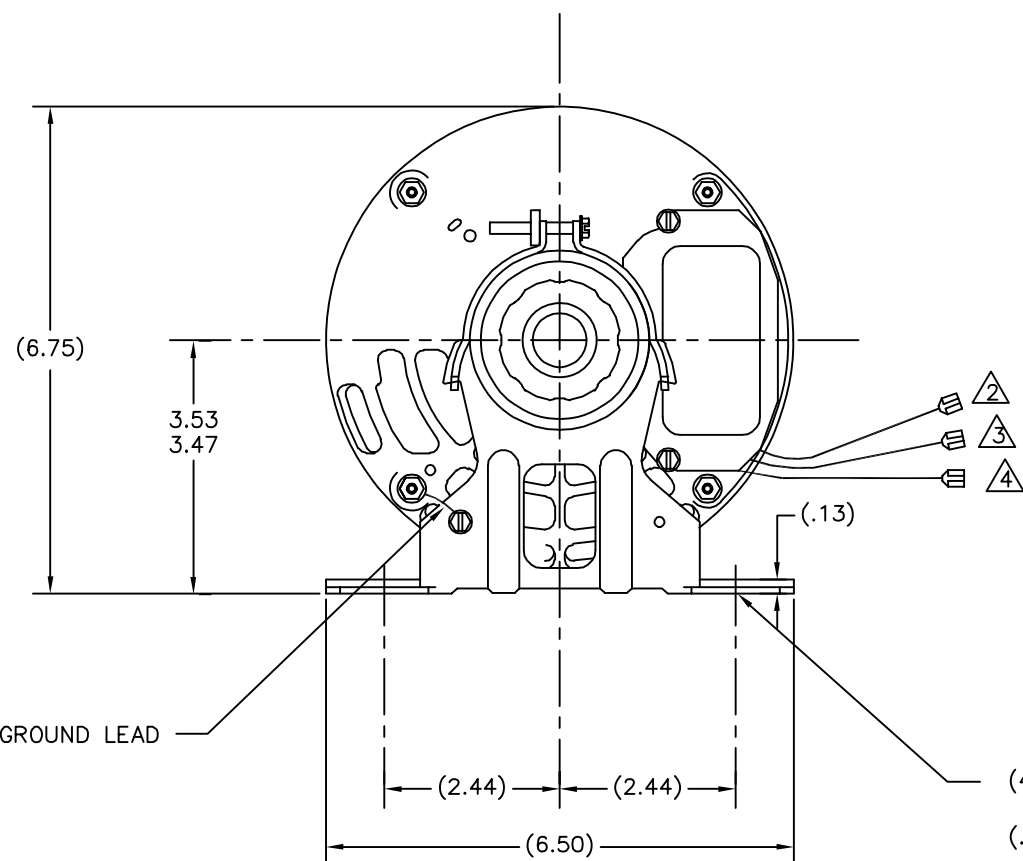


GEOMETRIC CHARACTERISTICS & SYMBOLS □ FLATNESS — STRAIGHTNESS ∠ ANGULARITY ⊥ PERPENDICULARITY (SQUARENESS) // PARALLELISM R ROUNDNESS (CIRCULARITY) H CYLINDRICITY ≡ PROFILE OF ANY SURFACE ~ PROFILE OF ANY LINE † RUNOUT ⊕ TRUE POSITION ⊙ CONCENTRICITY ⊖ SYMMETRY	UNLESS OTHERWISE SPECIFIED DIM. TOLERANCES ARE AS FOLLOWS: INCH ± .1 ± .02 ± .005 ± .0005 mm ± 0.5 ± 0.13 ± 0.013 ANG. ± 50 DEG REMOVE BURRS & BREAK SHARP EDGES: INCH .003-.015 mm 0.1-0.4 CORNER FILLETS TO: INCH .020 mm 0.5 MACHINE SURFACES: INCH 125 mm 3.2 METRIC DIMS. SHOWN IN [BRACKETS]	DR BY: HEU	01/17/1990	 A DIVISION OF A. O. SMITH CORPORATION ELECTRICAL PRODUCTS COMPANY TIPP CITY, OHIO COPYRIGHT 1995	
		APPD: MH	01-25-1990		THRD ANGLE PROJECTION
CONFIDENTIAL: THIS DRAWING AND ITS INFORMATION ARE THE EXCLUSIVE AND CONFIDENTIAL PROPERTY OF A.O. SMITH CORP. AND ARE NOT TO BE DISCLOSED, DUPLICATED, DISTRIBUTED OR OTHERWISE USED WITHOUT THE WRITTEN CONSENT OF A.O. SMITH CORP. -ALL RIGHTS RESERVED.				DESCRIPTION OPEN/ENCL CUSHION BASELL	
		SIZE D	DWG NO 178682	SCALE NONE	SHEET 1

GROUP	TYPE	FRAME	"C"	(BS)	(HUB-TO-HUB)
-01	CX	K56Z	24.70/24.30	5.37	9.50

REV	REFERENCE ECN	REFERENCE PROJECT	REV BY	DATE	APPD	DATE
F		01274601	marque	11-15-2005	marque	11-15-2005

- NOTES**
- (1) ALL DIMENSIONS SHOWN IN PARENTHESIS ARE REFERENCE DIMENSIONS. ALL OTHER DIMENSIONS ARE TOLERANCED PER THE FOLLOWING CHART UNLESS OTHERWISE SPECIFIED.
 - "C" DIM. = +/- .055
 - SHAFT EXT. = +/- .034
 - LEAD LENGTHS = +/- 1.00
 - EXTENDED THRU-BOLTS = +/- .050
 - ANGULAR DIMS. = +/- 2 DEGS.
 - (2) LINE LEADS (RED, BLACK, AND BROWN) ARE TO BE 22.00" LONG + 2.00 - .00 FROM LEAD EXIT TO END OF TERMINALS.
 - (3) LINE LEADS ARE TO EXIT MOTOR VIA CORD HOLE NOTCH.
 - (4) LINE LEADS ARE TO BE TERMINATED WITH STRAIGHT ON FEMALE TYPE TERMINALS.



<p>GEOMETRIC CHARACTERISTICS & SYMBOLS</p> <ul style="list-style-type: none"> — FLATNESS - STRAIGHTNESS ∠ ANGULARITY ⊥ PERPENDICULARITY (SQUARENESS) ∥ PARALLELISM ⊘ ROUNDNESS (CIRCULARITY) ⊙ CYLINDRICITY ⊖ PROFILE OF ANY SURFACE ⌒ PROFILE OF ANY LINE ↗ RUNOUT ⊕ TRUE POSITION ◎ CONCENTRICITY ⊖ SYMMETRY 	<p>UNLESS OTHERWISE SPECIFIED DIM. TOLERANCES ARE AS FOLLOWS:</p> <p>INCH $\pm .1$ $\pm .02$ $\pm .005$ $\pm .0005$</p> <p>mm ± 0.5 ± 0.13 ± 0.013</p> <p>ANG. ± 50 DEG</p> <p>REMOVE BURRS & BREAK SHARP EDGES:</p> <p>INCH .003-.015 mm 0.1-0.4</p> <p>CORNER FILLETS TO:</p> <p>INCH .020 mm 0.5</p> <p>MACHINE SURFACES:</p> <p>INCH 125 mm 3.2</p> <p>METRIC DIMS. SHOWN IN [BRACKETS]</p>	<p>DR BY: HEU</p> <p>APPD: MH</p> <p>THIRD ANGLE PROJECTION</p>	<p>01/17/1990</p> <p>01-25-1990</p> <p>EDS DATE</p> <p>FORMAT REV B</p>	<p style="text-align: center;">A.O. SMITH</p> <p style="text-align: center; font-size: small;">ELECTRICAL PRODUCTS COMPANY A DIVISION OF A. O. SMITH CORPORATION TIPP CITY, OHIO COPYRIGHT 1990</p> <p style="text-align: center;">DESCRIPTION</p> <p style="text-align: center; font-size: large;">OPEN/ENCL CUSHION BASELL</p> <p>SIZE D DWG NO 178682</p> <p>SCALE NONE SHEET 1</p>
------------------------------------------------------------------------------------------------------------------------------------------------------------------------------------------------------------------------------------------------------------------------------------------------------------------------------------------------------------------------------------------------------------------------------------------------------	-------------------------------------------------------------------------------------------------------------------------------------------------------------------------------------------------------------------------------------------------------------------------------------------------------------------------------------------------------------------------------------------------------------------------------------------------------------------------------------------------------------	-----------------------------------------------------------------	-------------------------------------------------------------------------	-----------------------------------------------------------------------------------------------------------------------------------------------------------------------------------------------------------------------------------------------------------------------------------------------------------------------------------------------------------------------------------------------

Uncontrolled Copy

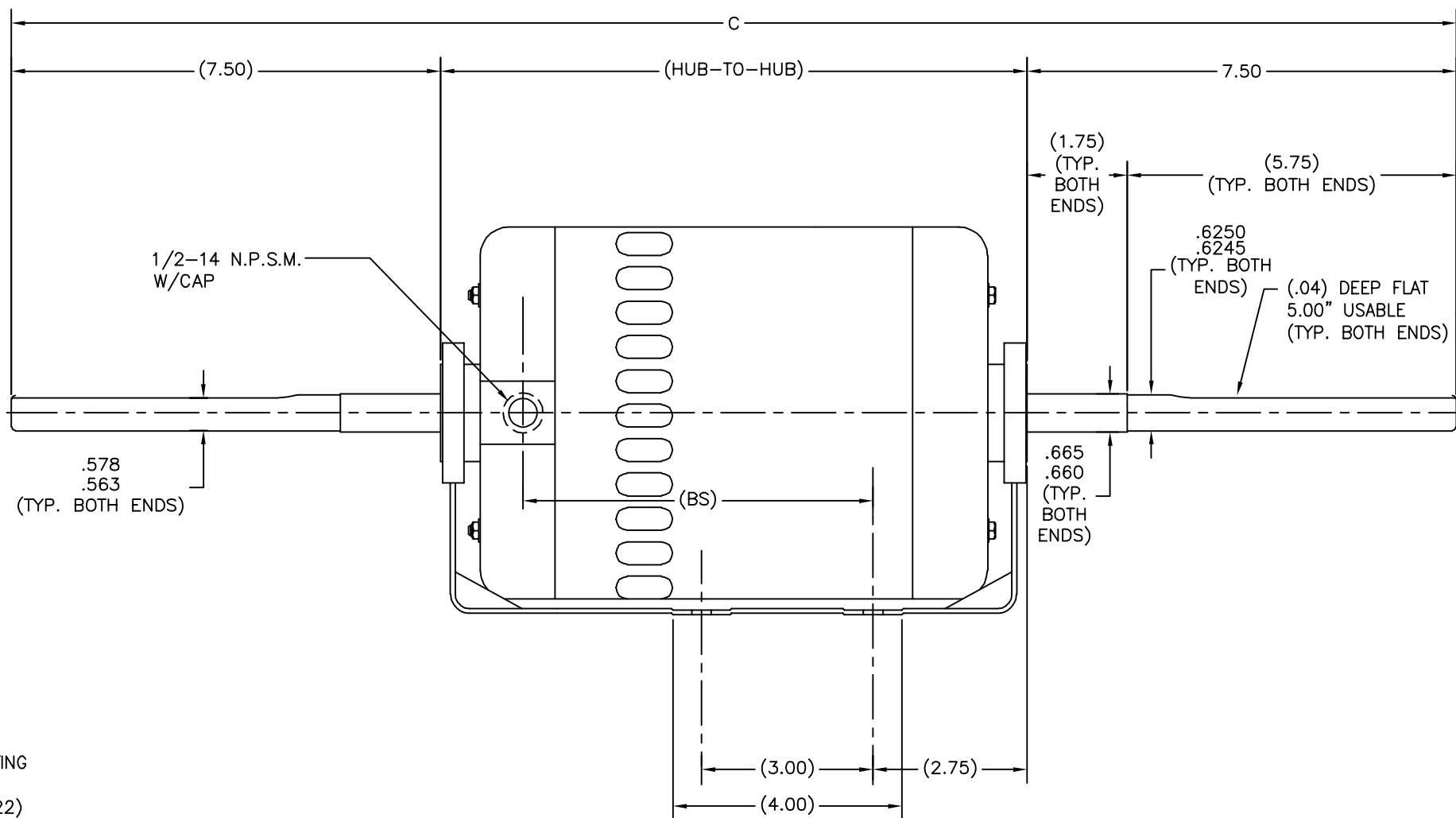
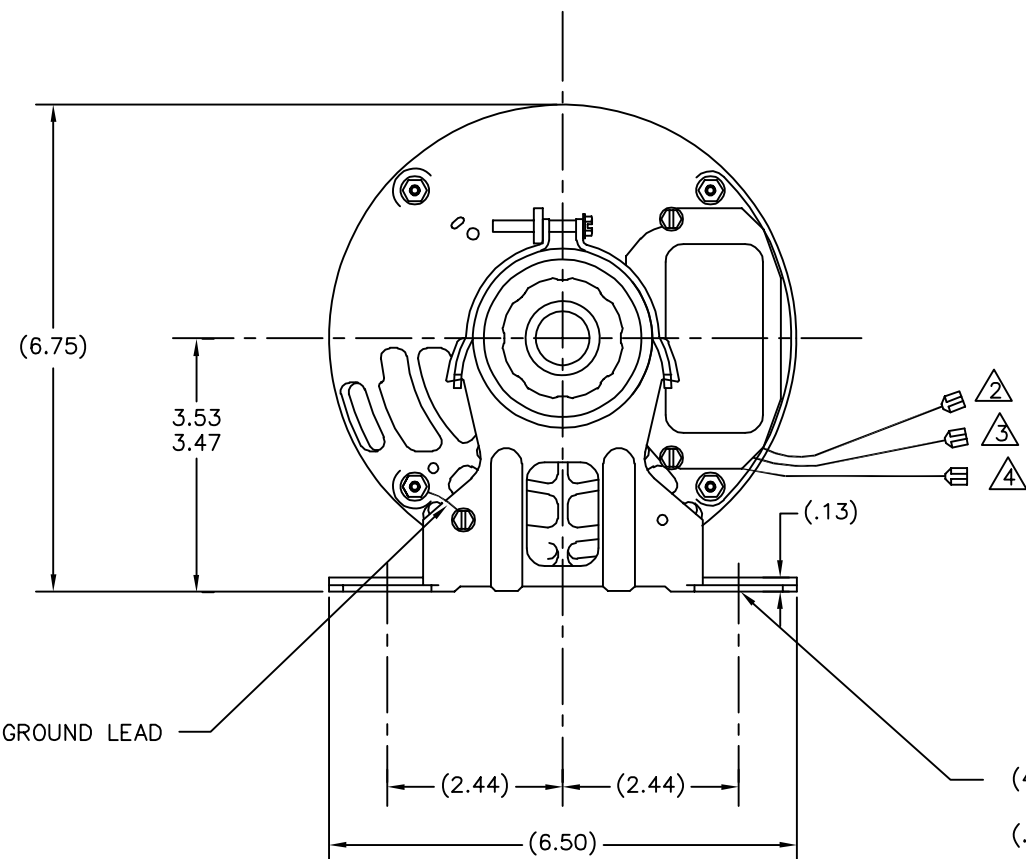
GROUP	TYPE	FRAME	"C"	(BS)	(HUB-TO-HUB)
-01	CX	K56Z	24.70/24.30	5.37	9.50

REV	REFERENCE ECN	REFERENCE PROJECT	REV BY	DATE	APPD	DATE
F		01274601	morgue	11-15-2005	morgue	11-15-2005

NOTES (1) ALL DIMENSIONS SHOWN IN PARENTHESIS ARE REFERENCE DIMENSIONS. ALL OTHER DIMENSIONS ARE TOLERANCED PER THE FOLLOWING CHART UNLESS OTHERWISE SPECIFIED.

"C" DIM. = +/- .055
SHAFT EXT. = +/- .034
LEAD LENGTHS = +/- 1.00
EXTENDED THRU-BOLTS = +/- .050
ANGULAR DIMS. = +/- 2 DEGS.

- △ (3) LINE LEADS (RED, BLACK, AND BROWN) ARE TO BE 22.00" LONG + 2.00 - .00 FROM LEAD EXIT TO END OF TERMINALS.
- △ (3) LINE LEADS ARE TO EXIT MOTOR VIA CORD HOLE NOTCH.
- △ (4) LINE LEADS ARE TO BE TERMINATED WITH STRAIGHT ON FEMALE TYPE TERMINALS.



GEOMETRIC CHARACTERISTICS & SYMBOLS
□ FLATNESS
— STRAIGHTNESS
∠ ANGULARITY
└ PERPENDICULARITY (SQUARENESS)
∥ PARALLELISM
○ ROUNDNESS (CIRCULARITY)
⊘ CYLINDRICITY
⊙ PROFILE OF ANY SURFACE
⌒ PROFILE OF ANY LINE
↗ RUNOUT
⊕ TRUE POSITION
◎ CONCENTRICITY
⊖ SYMMETRY

UNLESS OTHERWISE SPECIFIED DIM. TOLERANCES ARE AS FOLLOWS:
INCH ±.1 ±.02 ±.005 ±.0005
mm ±0.5 ±0.13 ±0.013
ANG. ±.50 DEG
REMOVE BURRS & BREAK SHARP EDGES:
INCH .003-.015 mm 0.1-0.4
CORNER FILLETS TO:
INCH .020 mm 0.5
MACHINE SURFACES:
INCH 125 mm 3.2
METRIC DIMS. SHOWN IN [BRACKETS]

DR BY: HEU 01/17/1990
APPD: MH 01-25-1990
EDS DATE
FORMAT REV B
THIRD ANGLE PROJECTION
CONFIDENTIAL: THIS DRAWING AND ITS INFORMATION ARE THE EXCLUSIVE AND CONFIDENTIAL PROPERTY OF A.O. SMITH CORP. AND ARE NOT TO BE DISCLOSED, DUPLICATED, DISTRIBUTED OR OTHERWISE USED WITHOUT THE WRITTEN CONSENT OF A.O. SMITH CORP. -ALL RIGHTS RESERVED.

A.O. SMITH A DIVISION OF A. O. SMITH CORPORATION
ELECTRICAL PRODUCTS COMPANY
TIPP CITY, OHIO
COPYRIGHT 1990
DESCRIPTION: OPEN/ENCL CUSHION BASELL
SIZE: D DWG NO: 178682
SCALE: NONE SHEET: 1