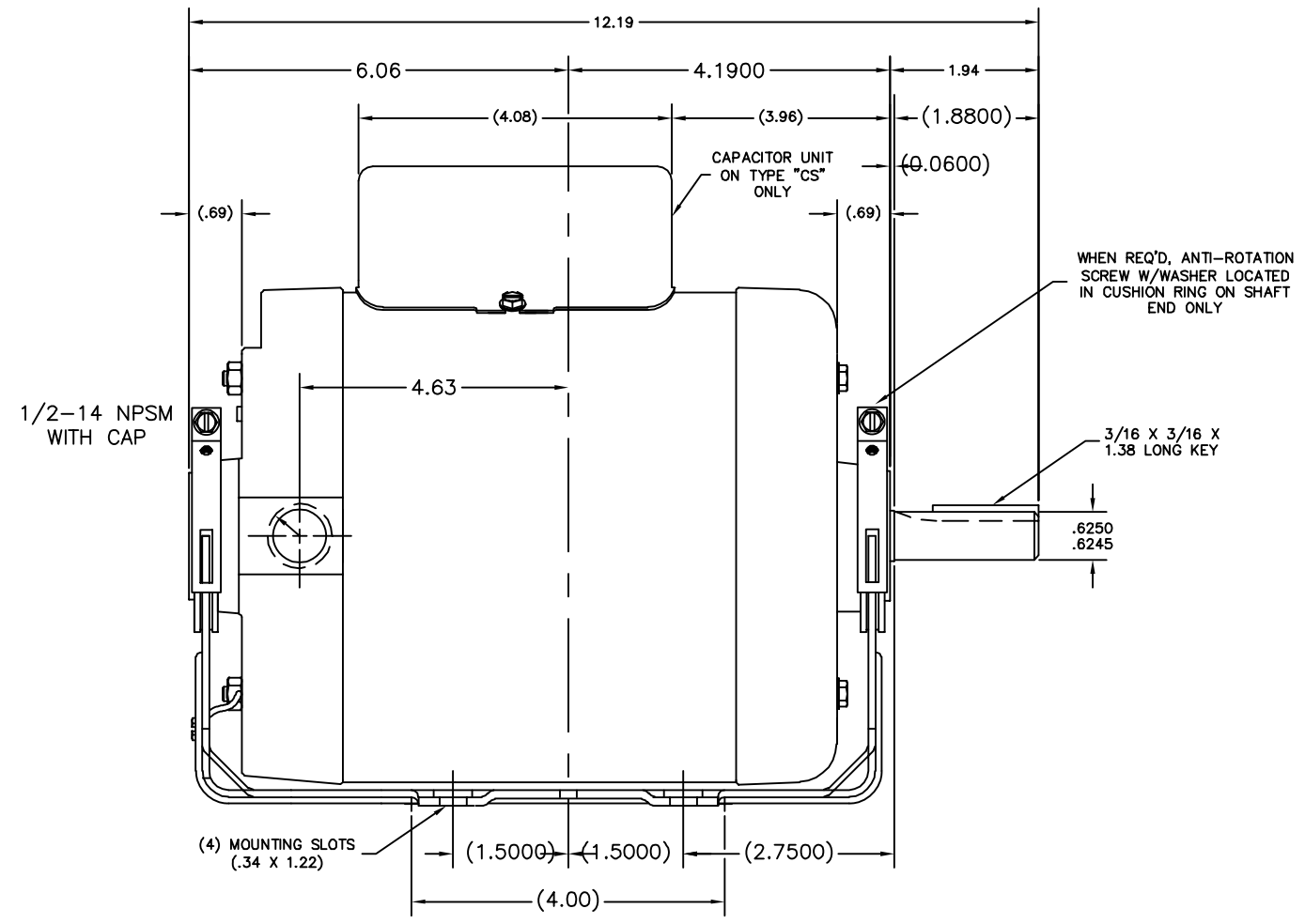
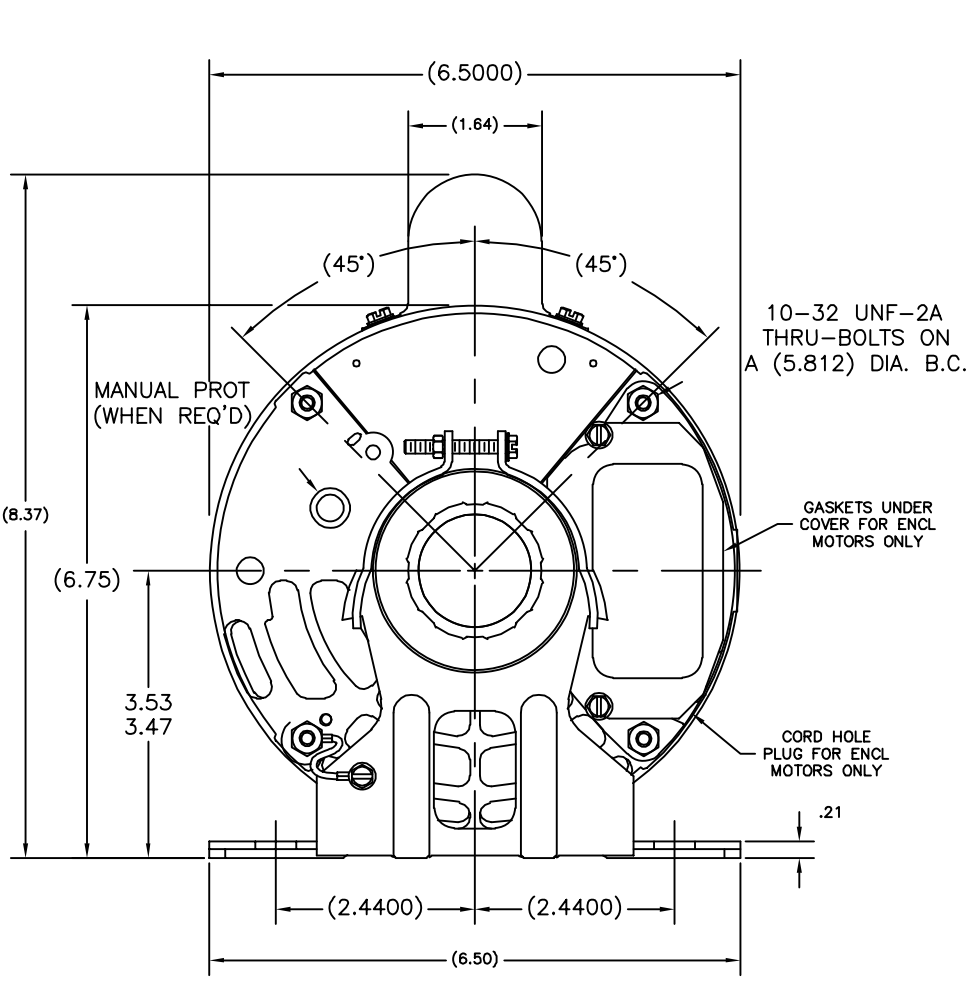


REV	ECO	REV BY	DATE	APPD	DATE
B	0025737	Y.LIU	04-18-2012	B.SHEN	04-18-2012

CURVE#		
CSM	L56	C26035

ALL DIMENSIONS SHOWN IN PARENTHESIS ARE REFERENCE DIMENSIONS. ALL OTHER DIMENSIONS ARE TOLERANCED PER THE FOLLOWING CHART UNLESS OTHERWISE SPECIFIED.

"C" DIM. = +/- .055  
 SHAFT EXT. = +/- .034  
 LEAD LENGTHS = +/- 1.00  
 EXTENDED THRU-BOLTS = +/- .050  
 ANGULAR DIMS. = +/- 2 DEGS.



<b>GEOMETRIC CHARACTERISTICS &amp; SYMBOLS</b> □ FLATNESS — STRAIGHTNESS ∠ ANGULARITY ⊥ PERPENDICULARITY (SQUARENESS) // PARALLELISM ○ ROUNDNESS (CIRCULARITY) ⌀ CYLINDRICITY ≡ PROFILE OF ANY SURFACE ⤴ PROFILE OF ANY LINE ⤵ RUNOUT Ⓢ TRUE POSITION ⊙ CONCENTRICITY ⦶ SYMMETRY	UNLESS OTHERWISE SPECIFIED DIM. TOLERANCES ARE AS FOLLOWS: INCH: .1 ±.02 ±.005 ±.0005 mm: ±0.5 ±0.13 ±0.013 ANG. ±.50 DEG REMOVE BURRS & BREAK SHARP EDGES: INCH: .003-.015 mm: 0.1-0.4 CORNER FILLETS TO: INCH: .020 mm: 0.5 MACHINE SURFACES: INCH: 125 mm: 3.2 METRIC DIMS. SHOWN IN [BRACKETS]	DR BY: JBLANK	7/30/04	DESCRIPTION <b>56F OUTLINE</b> SB/BB OP/EN
		APPD: _____ EDS DATE: 11-11-2011 FORMAT REV: G		
SCALE: NONE				SHEET 3

A B C D

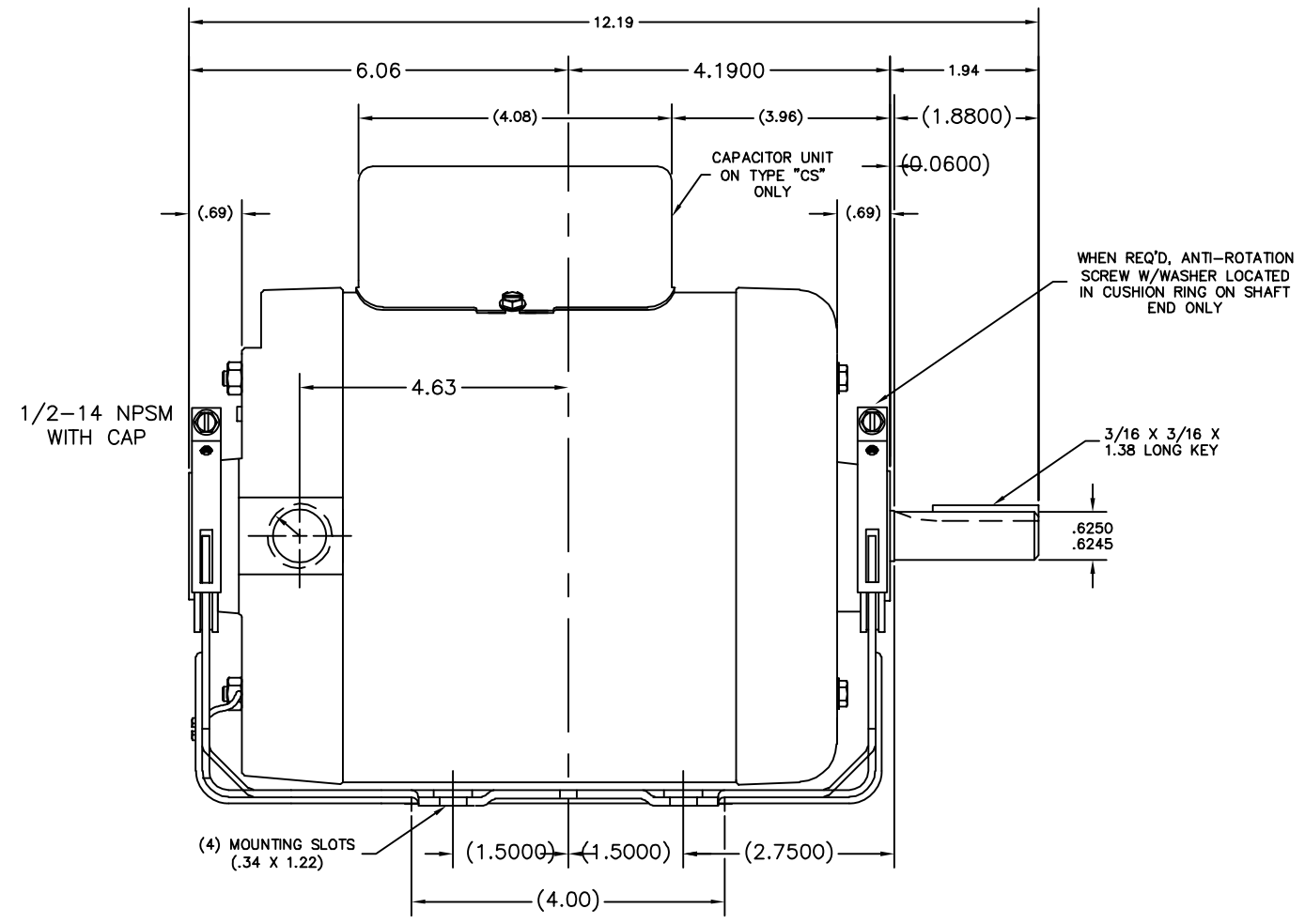
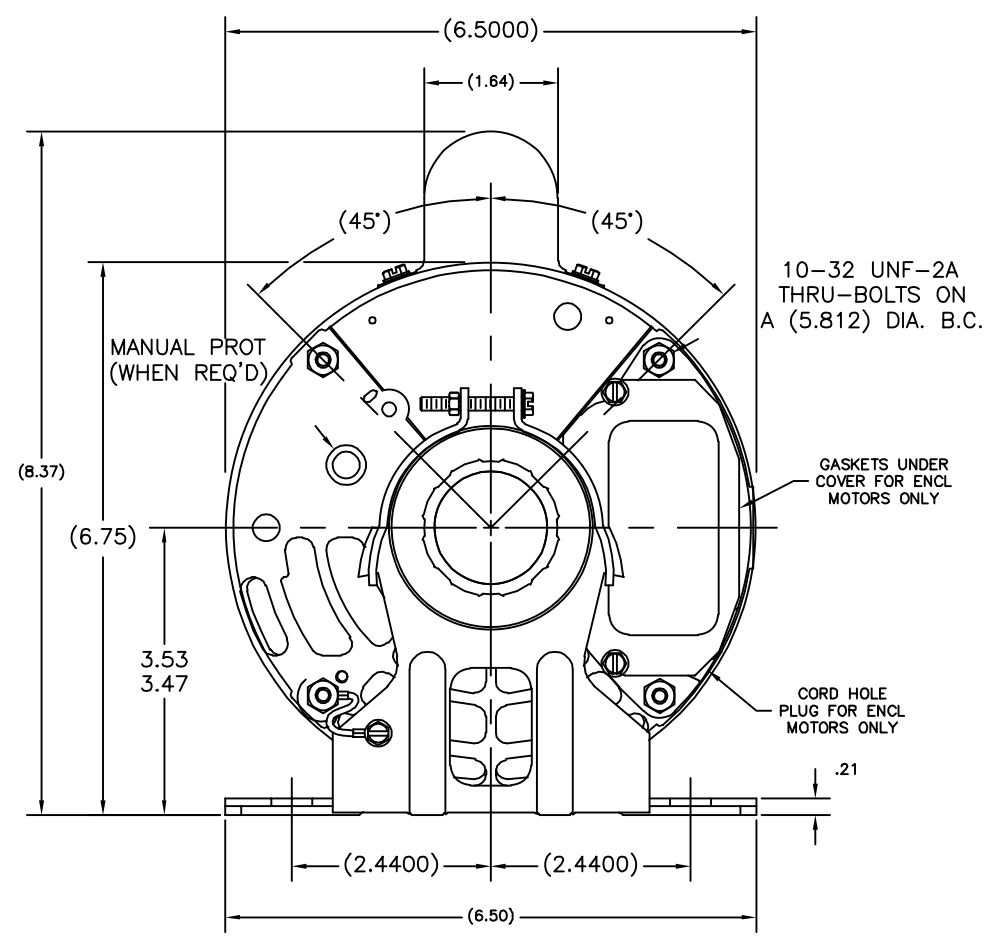
A B C D

REVISION:	ECO	REVISADO POR:	FECHA:	APROBADO POR:	FECHA:
B	0025737	Y.LIU	04-18-2012	B.SHEN	04-18-2012

CURVE#		
CSM	L56	C26035

ALL DIMENSIONS SHOWN IN PARENTHESIS ARE REFERENCE DIMENSIONS. ALL OTHER DIMENSIONS ARE TOLERANCED PER THE FOLLOWING CHART UNLESS OTHERWISE SPECIFIED.

"C" DIM. = +/- .055  
 SHAFT EXT. = +/- .034  
 LEAD LENGTHS = +/- 1.00  
 EXTENDED THRU-BOLTS = +/- .050  
 ANGULAR DIMS. = +/- 2 DEGS.



CARACTERISTICAS DE GEOMETRIA Y SIMBOLOS: □ PLANICIDAD — RECTITUD ∠ ANGULARIDAD ⊥ PERPENDICULARIDAD (A ESCUADRA) // PARALELISMO ○ REDONDEZ (CIRCULARIDAD) R CILINDRICIDAD ≡ PERFIL DE CUALQUIER SUPERFICIE ∩ PERFIL DE CUALQUIER LINEA † VARIACION ⊕ POSICION REAL ⊙ CONCENTRICIDAD = SIMETRIA	A MENOS QUE SE ESPECIFIQUE DE OTRA MANERA, LAS TOLERANCIAS DE LAS DIMS; SON LAS SIGUIENTES: PULG ±.1 ±.02 ±.005 ±.0005 mm ±0.5 ±0.13 ±0.013 ANG. ±.50 GRADOS ELIMINAR REBABAS Y ORILLAS FILOSAS DEL BORDE. PULG .003-.015 mm 0.1-0.4 FILETEAR ESQUINA: PULG .020 mm 0.5 MAQUINAR SUPERFICIES PULG 125 mm 3.2 DIMS METRICAS MOSTRADAS [PARENTESIS]	DIBUJADO POR: JBLANK	7/30/04	DESCRIPCION: 56F OUTLINE SB/BB OP/EN
		APROBADO POR:	FECHA EDS: 11-11-2011 REV. FORMATO: G	
CONFIDENCIAL: ESTE DIBUJO Y SU INFORMACION SON PROPIEDAD DE USO EXCLUSIVO Y CONFIDENCIAL DE REGAL-BELOIT CORPORATION, Y NO DEBERAN SER REVELADOS, DUPLICADOS, DISTRIBUIDOS O USARSE DE OTRA MANERA SIN EL CONSENTIMIENTO ESCRITO DE REGAL-BELOIT CORPORATION. -TODOS LOS DERECHOS RESERVADOS.		ESCALA: NONE	HOJA: 3	

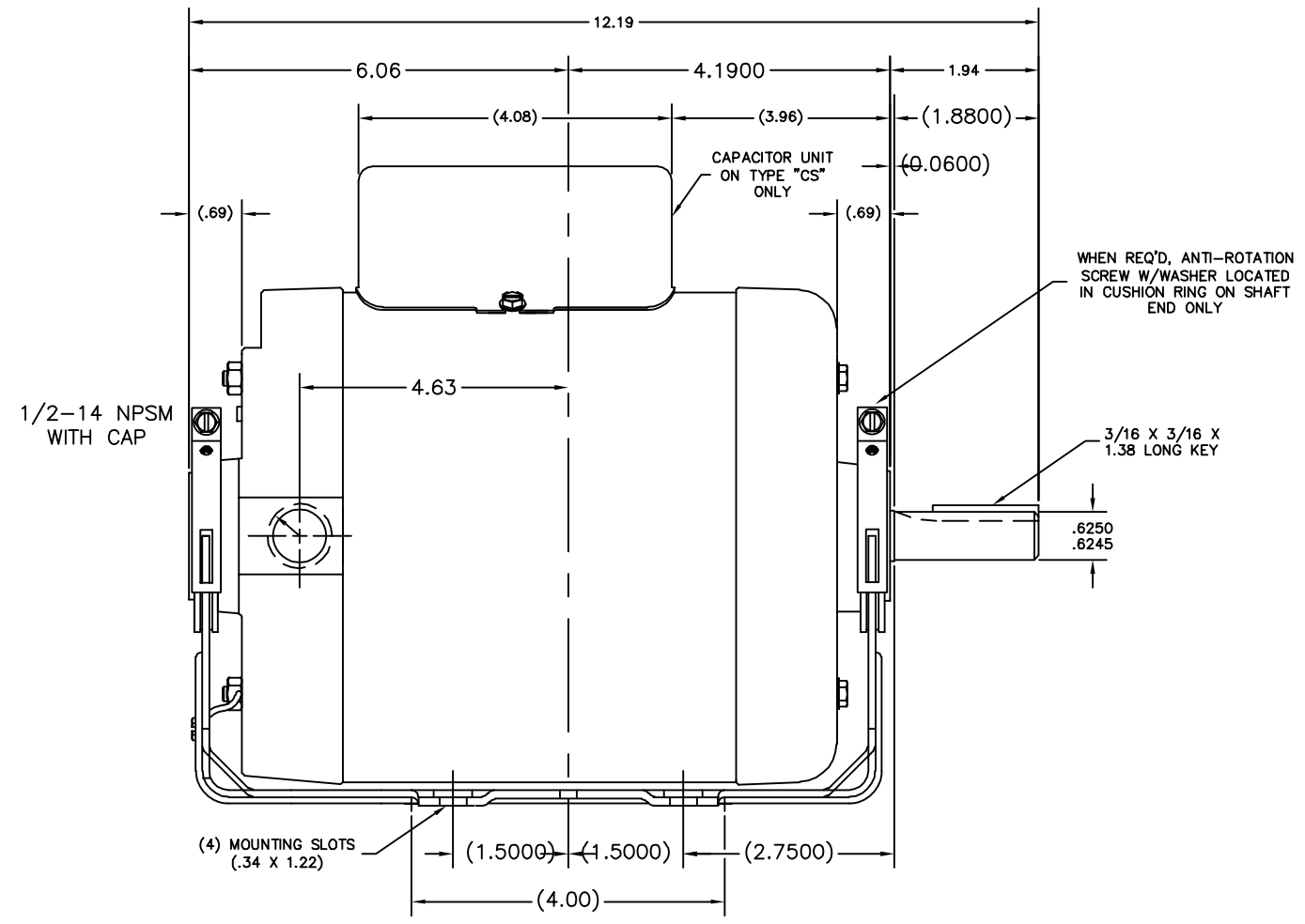
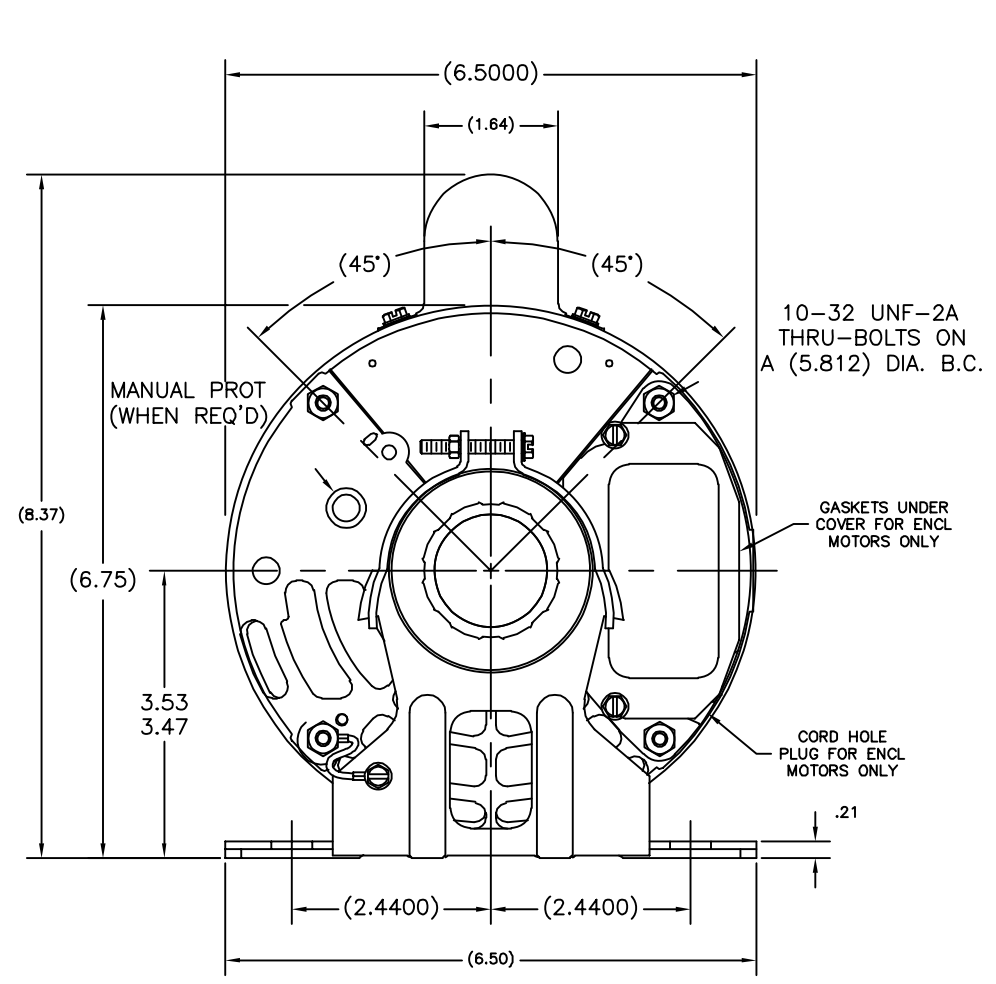


版本	ECO	编制	日期	批准	日期
B	0025737	Y.LIU	04-18-2012	B.SHEN	04-18-2012

CURVE#		
CSM	L56	C26035

ALL DIMENSIONS SHOWN IN PARENTHESIS ARE REFERENCE DIMENSIONS. ALL OTHER DIMENSIONS ARE TOLERANCED PER THE FOLLOWING CHART UNLESS OTHERWISE SPECIFIED.

- "C" DIM. = +/- .055
- SHAFT EXT. = +/- .034
- LEAD LENGTHS = +/- 1.00
- EXTENDED THRU-BOLTS = +/- .050
- ANGULAR DIMS. = +/- 2 DEGS.



<p>形位公差                  □ 平面度                  ⊥ 垂直度                  ∠ 倾斜度                  // 平行度                  ○ 圆度                  ⊙ 圆柱度                  ⊖ 面轮廓度                  ⊕ 线轮廓度                  ↗ 圆跳动                  ⊕ 位置度                  ⊕ 同轴度                  ≡ 对称度</p>	<p>除另有注明                  尺寸公差如下:                  英寸 X XX XXX XXXX                  毫米 ±.1 ±.02 ±.005 ±.0005                  毫米 ±0.5 ±0.13 ±0.013                  角度 ±.50 度                  清理毛刺和尖棱                  英寸 .003-.015 毫米 0.1-0.4                  内圆角                  英寸 .020 毫米 0.5                  表面粗糙度                  英制 125 米制 3.2</p>	<p>绘图: JBLANK                  日期: 7/30/04                  批准:                  第三角投影</p>	<p>名称: 56F OUTLINE                  SB/BB OP/EN                  图号: 18857501-003                  比例: NONE</p>	<p>图框格式发布日期 11-11-2011                  图框格式版本 G</p>
<p>ASME Y14.5M 1994 米制尺寸显示在 [ ]</p>			<p>REGAL-BELOIT CORPORATION                  未经REGAL-BELOIT CORPORATION书面授权, 不得泄露、复制、传播或作其他用途。—版权所有</p>	